



IGS-3164GP-LA

Industrial 20-port Gigabit managed Ethernet switch with 16x10/100/1000Base-T(X) and 4x100/1000Base-X, SFP socket

Features

- Redundant Ethernet Ring: **O-Ring** (recovery time < 30ms over 250 units of connection)
- **O-Chain** allow multiple redundant network rings
- Support standard IEC 62439-2 **MRP** (Media Redundancy Protocol) function
- STP/RSTP/MSTP supported
- IGMP v2/v3 (IGMP snooping support) for filtering multicast traffic
- IEEE802.1Q VLAN
- Port Trunking for easy of bandwidth management
- SNMP v1/v2c/v3 support for secured network management
- RMON for traffic monitoring
- Support LLDP protocol
- Event notification through Syslog, SNMP trap.
- DIN-Rail enabled

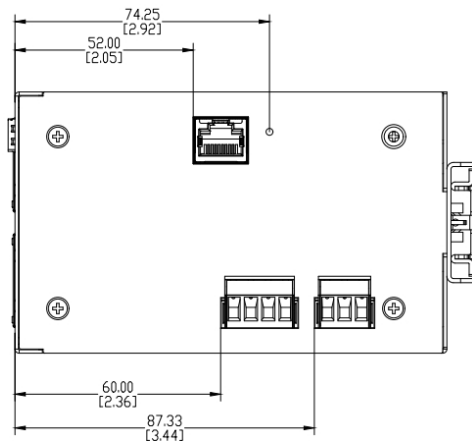
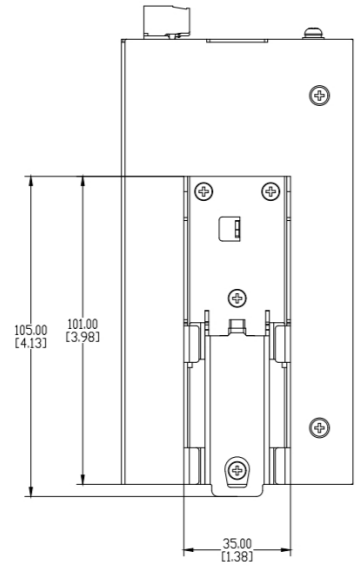
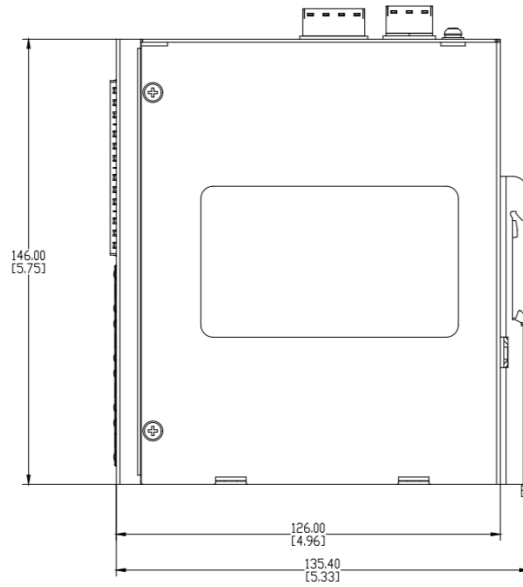
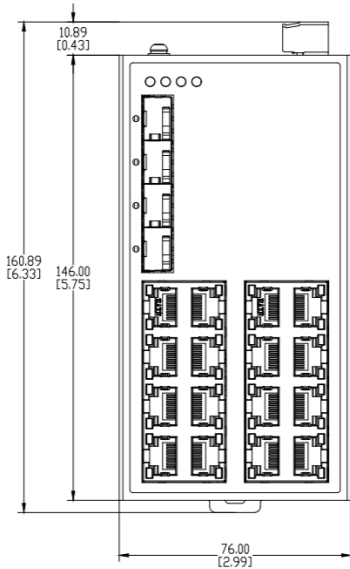


Introduction

IGS-3164GP-LA is a Gigabit managed Redundant Ring Ethernet switch with 16x10/100/1000Base-T(X) ports and 4x100/1000Base-X, SFP socket. With completely support of Ethernet Redundancy protocol, O-Ring (recovery time < 30ms over 250 units of connection), O-Chain and MSTP/RSTP/STP (IEEE 802.1s/w/D) can protect your mission-critical applications from network interruptions or temporary malfunctions with its fast recovery technology. O-Chain is the revolutionary network redundancy technology that provides the add-on network redundancy topology for any backbone network, O-Chain allows multiple redundant network rings of different redundancy protocols to join and function together as a larger and more robust compound network topology. O-Chain providing ease-of-use while maximizing fault-recovery swiftness, flexibility, compatibility, and cost-effectiveness in one set of network redundancy topology. It is specifically designed for the toughest industrial environments. In addition, the wide operating temperature range from -40°C to 75°C can satisfy most of operating environment.

Dimension

Unit=mm



Specifications

* All specifications are subject to change without notice.

ORing Switch Model	IGS-3164GP-LA
Physical Ports	
10/100/1000Base-T(X) Ports in RJ45 Auto MDI/MDIX	16
100/1000Base-X, SFP Socket	4
Technology	
Ethernet Standards	IEEE 802.3 for 10Base-T IEEE 802.3u for 100Base-TX IEEE 802.3x for Flow control IEEE 802.3ad for LACP (Link Aggregation Control Protocol) IEEE 802.1D for STP (Spanning Tree Protocol) IEEE 802.1p for COS (Class of Service) IEEE 802.1Q for VLAN Tagging IEEE 802.1w for RSTP (Rapid Spanning Tree Protocol) IEEE 802.1s for MSTP (Multiple Spanning Tree Protocol) IEEE 802.1x for Authentication IEEE 802.1AB for LLDP (Link Layer Discovery Protocol)
MAC Table	8K MAC addresses
Priority Queues	4
Processing	Store-and-Forward
Switch Properties	Switching latency: 10us Switching bandwidth: 40Gbps Packet buffer:4.1Mbit Max. Number of Available VLANs: 4096 IGMP multicast groups: 1024
Security Features	Enable/disable ports, MAC based port security Port based network access control (802.1x) VLAN (802.1Q) to segregate and secure network traffic ACL SNMP v1/v2c/v3 encrypted authentication and access security
Software Features	STP/RSTP/MSTP (IEEE 802.1D/w/s) Redundant Ring (O-Ring) with recovery time less than 30ms over 250 units TOS/Diffserv supported TOS/Diffserv supported Quality of Service (802.1p) for real-time traffic VLAN (802.1Q) with VLAN tagging and GVRP supported IGMP Snooping for multicast filtering Port configuration, status, statistics, monitoring, security SNTP for synchronizing of clocks over network DHCP Server / Client support Port Trunk support
Network Redundancy	O-Ring O-Chain MRP STP/RSTP/MSTP
LED Indicators	
Power Indicator	Green : Power LED x 2
R.M Indicator	Green: Indicate system operated in O-Ring Master mode
Ring Indicator	Green: Indicate system operated in O-Ring mode
10/100/1000Base-T(X) RJ45 Port Indicator	Top :Green LED for Link/Act indicator Bottom: Green LED for 1000Mbps indicator, Off for 100Mbps or 10Mbps
100/1000Base-X SFP	Green for port Link/Act.
Power	
Redundant Input Power	Dual 24V DC (16~48VDC) on 4-pin Terminal block
Power Consumption (Typ.)	10 Watts
Physical Characteristic	
Enclosure	IP-40
Dimension (W x D x H)	76(W) x 126 (D) x146 (H) mm(2.99 x 4.96 x 5.75inch)
Environmental	

* All specifications are subject to change without notice.

Storage Temperature	-40 to 85°C (-40 to 185°F)
Operating Temperature	40 to 75o C (-40 to 167o F)
Operating Humidity	5% to 95% Non-condensing
Regulatory approvals	
EMI	FCC Part 15, CISPR (EN55032) class A
EMS	EN61000-4-2 (ESD), EN61000-4-3 (RS), EN61000-4-4 (EFT), EN61000-4-5 (Surge), EN61000-4-6 (CS), EN61000-4-8, EN61000-4-11
Shock	IEC60068-2-27
Free Fall	IEC60068-2-32
Vibration	IEC60068-2-6
Safety	EN62368-1
Warranty	5 years

Ordering Information

Available Model	Model Name	Description
	IGS-3164GP-LA	Industrial 20-port Gigabit managed Ethernet switch with 8x10/100/1000Base-T(X) ports and 4x100/1000Base-X, SFP socket

Packing List

- IGS-3164GP-LA x 1
- Quick Installation Guide x 1
- Console x 1