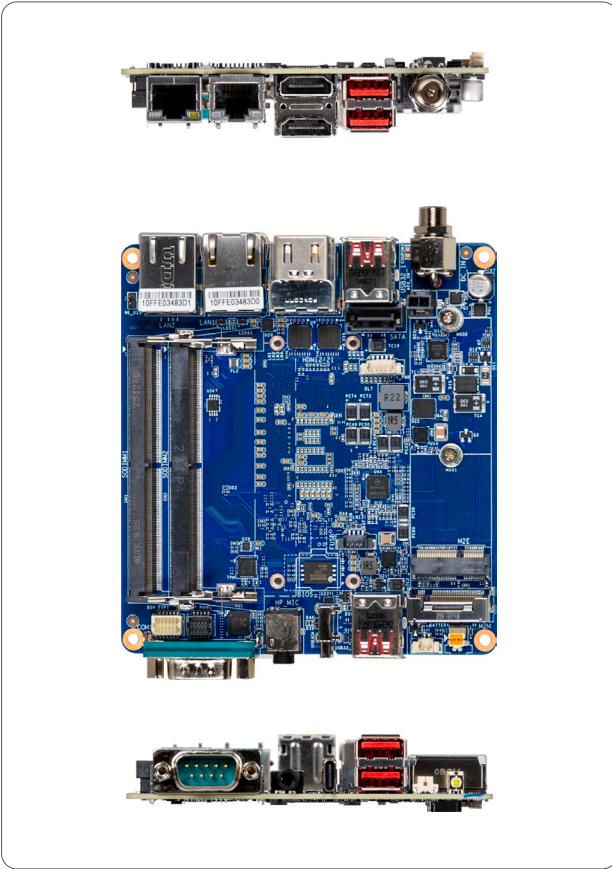


QBi-1315EA (MRLU3AH)

Embedded Compact Board with Intel® i3-1315UE Processor, Dual Channel DDR5 memory, 1 x COM, 2 x HDMI, 6 x USB, TPM on board



Specifications

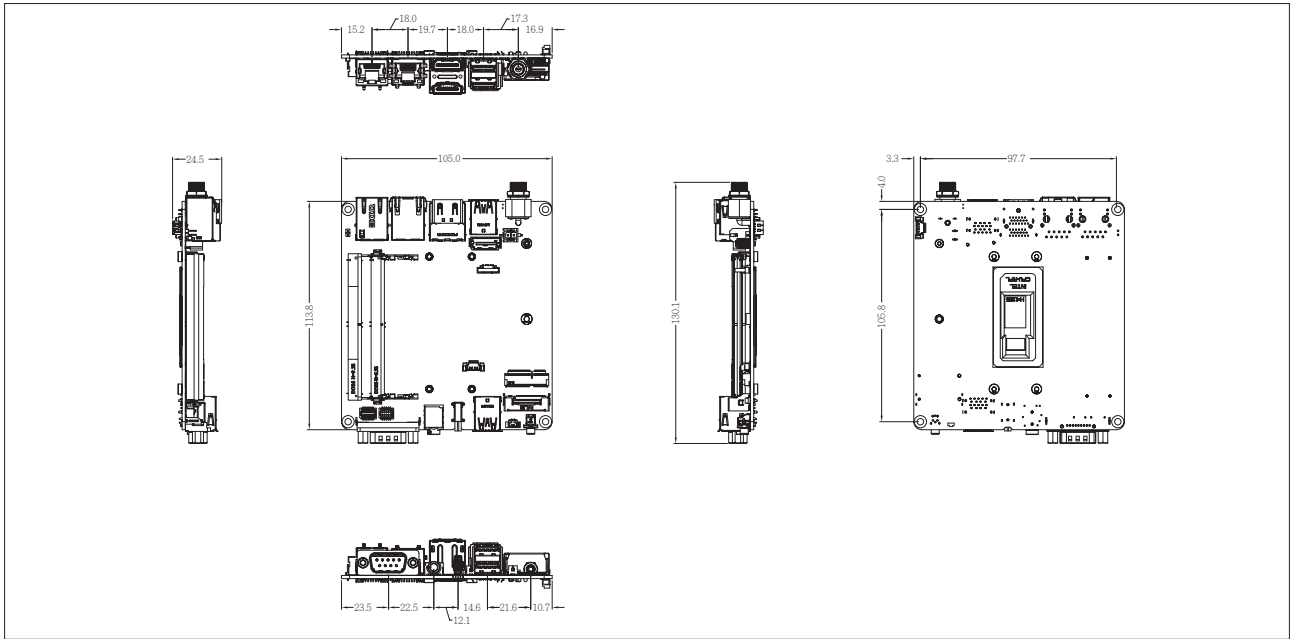
| | |
|-------------|---|
| Form Factor | Embedded Compact Board 105W x 110D (mm) |
| CPU | Intel® Core™ i3-1315UE Processor Intel® 7, 6 cores, 2P+4E, 8 threads, up to 4.5 GHz TDP 15W |
| Socket | 1 x FCBGA1744 |
| Chipset | — |
| Memory | 2 x DDR5 SO-DIMM sockets, Max. Capacity 64 GB, Support Dual Channel DDR5 5200 MHz memory modules |
| Ethernet | 1 x 2.5 GbE LAN Port (Intel® I226V) 1 x GbE LAN Port (Realtek® RTL8111H) |
| Video | Integrated Graphics Processor - Intel® UHD Graphics for 13th Gen Intel® Processors: 2 x HDMI 2.0 ports, supporting a maximum resolution of 4096x2160 @60Hz 1 x DP 1.4 through USB Type C (DP Alt. mode), supporting a maximum resolution of 7680x4320 @30Hz, requires designated graphic driver (3 independent display outputs) |
| Audio | Realtek® ALC269 |
| Storage | 1 x SATA 6Gb/s port |
| Raid | RAID 0/1 |

Features

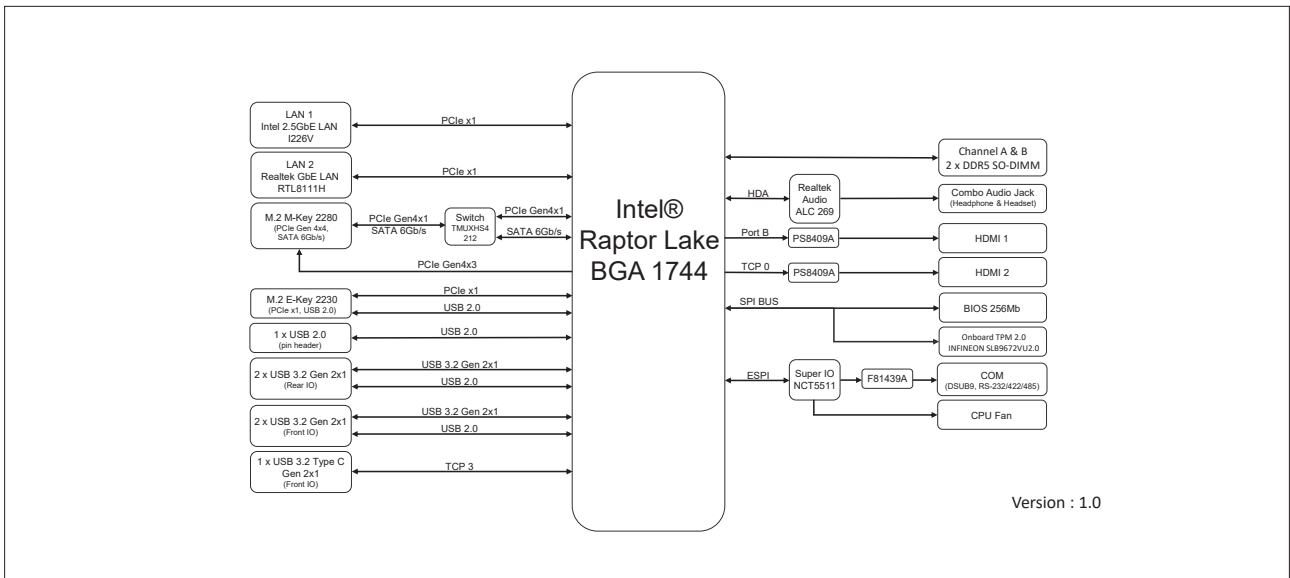
- Embedded IPC Motherboard
- Intel® Core™ i3-1315UE Processor
- Dual Channel DDR5, 2 x SO-DIMMs
- 1 x 2.5GbE LAN Port
- 1 x GbE LAN Port
- Ultra-Fast M.2 with PCIe Gen4 x4 Interface
- 2 x HDMI Ports
- 1 x COM Port (RS-232/422/485)

| | |
|----------------------|---|
| Expansion Slots | 1 x 2280 M.2 M-Key (PCIe Gen 4x4, SATA 6Gb/s) 1 x 2230 M.2 E-Key (PCIe x1, USB 2.0) |
| Internal I/O | 1 x 2-pin power connector 1 x SATA Power header 1 x CPU fan header 1 x Front panel header 1 x USB 2.0 header |
| Front IO | 2 x USB 3.2 Gen 2x1 1 x USB 3.2 Type C Gen 2x1 (with DP Alt. mode) 1 x Power button with LED 1 x COM Port (RS-232/422/485) 1 x Combo audio jack (Headphone & Headset) |
| Rear IO | 2 x RJ45 LAN Ports 2 x USB 3.2 Gen 2x1 2 x HDMI 1 x Screw type DC Jack (+12V~24VDC) |
| Side IO | — |
| TPM | Onboard TPM 2.0 security chip INFINEON SLB9672VU2.0 |
| OS Compatibility | Windows 10/11 (x64) |
| Operating Properties | Operating temperature: 0°C to 60°C Operating humidity: 0-90% (non-condensing) Non-operating temperature: -40°C to 85°C Non-operating humidity: 0%-95% (non-condensing) |
| Packing Content | Carton size: 465 x 351 x 217 (mm) Packing Capacity: 10pcs Single Box size: 221 x 178 x 65 (mm) Including: SATA power cable 150mm x 1 (P/N: 25CRI-150621-K1R) |
| Order Information | 9MRLU3AHMR-SI (Box packing) |

GIGAIPC reserves the right to modify or change technical data without prior notice.



Block Diagram



Optional Kit

| Part No. | Description | Quantity |
|------------------|---------------|----------|
| 25ST4-113104-A7R | Fansink | 1 |
| 25ST1-713000-Y0R | Heat spreader | 1 |