

ITPS-141TX-T1L

Industrial 5-port unmanaged Single Pair Ethernet switch with 4x10Base-T1Lwith PoDL+1x

10/100Base-T(X), 24VDC power input

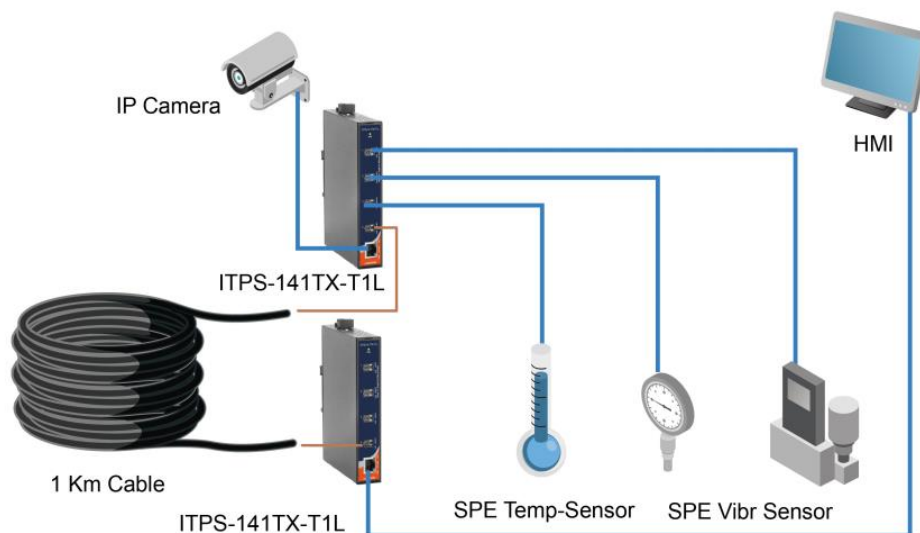
Features

- Supports SPE(Single Paire Ethernet) 10Base-T1L compliant with IEEE 802.3cg standard
- Long distances point to point transmission up to 1000m
- Supports SCCP PoDL(Power over Data Line) PSE Types compliant with IEEE 802.3bu standard
- PoDL up to 50 Watts/1A per port
- Supports PoDL legacy mode
- Supports wide range 20~30VDC power input
- Supports QoS and flow control
- Rugged IP-30 housing design

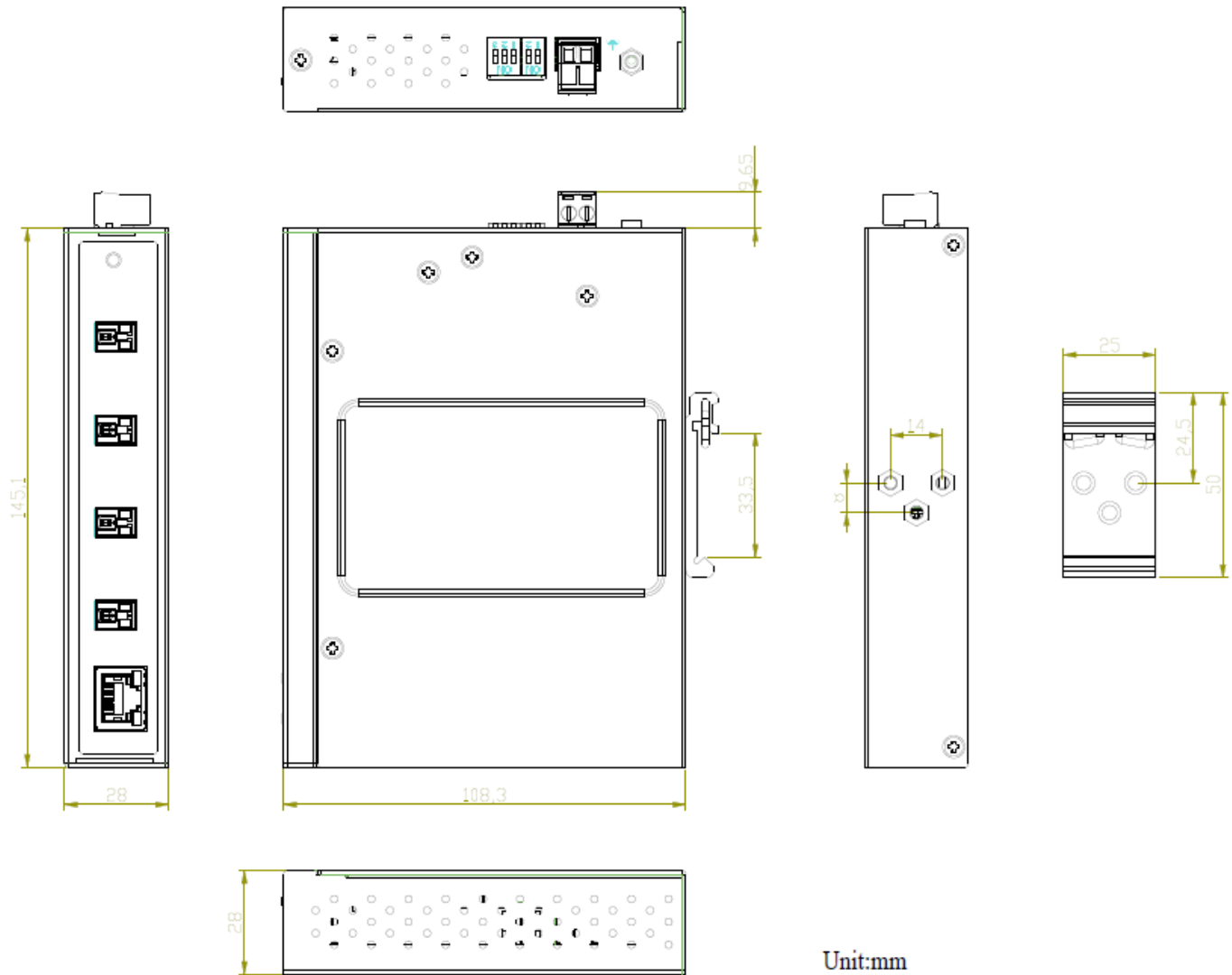


Practical Operation

ITPS-141TX-T1L is an ideal solution for factory, process automation infrastructure. The new single pair Ethernet technology can be integrated easily into an existing Ethernet infrastructure to simplify layout and also reduce the cost of cabling.



Dimensions



Specifications

| ORing Switch Model | ITPS-141TX-T1L |
|---|--|
| Physical Ports | |
| 10Base-T1L with PoDL | 4 |
| 10/100Base-T(X) Port in RJ45 Auto MDI/MDIX | 1 |
| Technology | |
| Ethernet Standards | IEEE 802.3 for 10Base-T IEEE 802.3u for 100Base-TX IEEE 802.3x for Flow control IEEE 802.3cg for 10Base-T1L |

| | |
|-------------------------------------|--|
| MAC Table | 1K MAC addresses |
| Processing | Store-and-Forward |
| LED Indicators | |
| Power indicator | Green : Power LED |
| 10Base-T1L indicator | Green for port Link/Act. |
| PoDL indicator | Amber for PoDL PD device is connected |
| 10/100Base-T(X) RJ45 port indicator | Green for port Link/Act. Amber for 10Mbps/ Green for 100Mbps indicator |
| PoDL Class | |
| 24v | Class 10~12 ,up to 632mA/20W |
| 50v | Class 13~15,up to 1A/50W |
| PoDL Dip switch | |
| PoDL | On :Enable PoDL OFF: Disable PoDL |
| SCCP mode | Turn on SCCP-based classification ensures full operating voltage is applied by the Power Sourcing Equipment (PSE) when a valid PD is connected |
| Force mode | Force enable PoDL without classification * Does NOT support hot plugging before enabling Force mode |
| Power | |
| Power Input | DC input 24VDC (20~30VDC) |
| Power consumption (Typ.) | TBD |
| PoE Power Budget | 80Watts |
| Overload current protection | Present |
| Reverse polarity protection | Present |
| Physical Characteristic | |
| Enclosure | IP-30 |
| Dimension (W x D x H) | 28 (W) x 108.3 (D) x 145.1(H) mm |
| Weight (g) | TBD |
| Environmental | |
| Storage Temperature | -40 to 85°C |
| Operating Temperature | -40 to 70°C |
| Operating Humidity | 5% to 95% Non-condensing |
| Regulatory approvals | |
| EMI | FCC Part 15, CISPR (EN55032) class A |
| EMS | EN61000-4-2 (ESD), EN61000-4-3 (RS), EN61000-4-4 (EFT), EN61000-4-5 (Surge), EN61000-4-6 (CS), EN61000-4-8, EN61000-4-11 |
| Shock | IEC60068-2-27 |
| Free Fall | IEC60068-2-32 |
| Vibration | IEC60068-2-6 |
| Safety | UL61010-1(TBD) |
| Warranty | 5 years |

Ordering Information

| Available Model | Model Name | Description |
|-----------------|----------------|--|
| | ITPS-141TX-T1L | Industrial 5-port unmanaged Single Pair Ethernet switch with 4x10Base-T1Lwith PoDL+1x10/100Base-T(X), 24VDC power input |

* All specifications are subject to change without notice.

Packing List

- ITPS-141TX-T1L x 1
- Din-Rail Kit x 1
- Quick Installation Guide x 1

Appendix

PoDL output voltage range

| Power In (Voltage) | PoDL output (Voltage) |
|-----------------------|--------------------------|
| 18 | 22 |
| 19 | 22 |
| 20 | 22.02 |
| 21 | 22.05 |
| 22 | 22.1 |
| 23 | 22.1 |
| 24 | 23.05 |
| 25 | 24.04 |
| 26 | 25.05 |
| 27 | 26.04 |
| 28 | 27.08 |
| 29 | 28.07 |
| 30 | 29.06 |