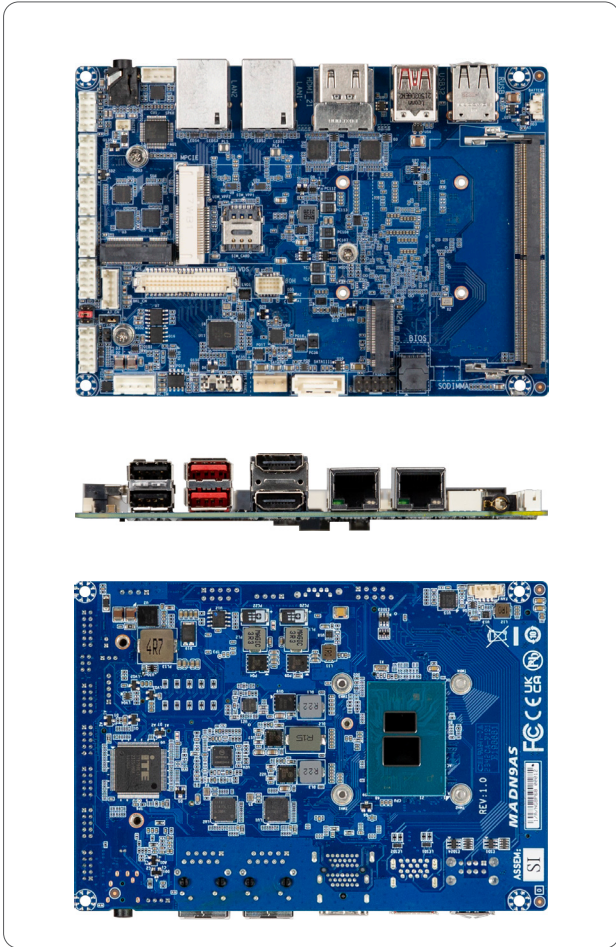


QBiP-N97A (MADN9AS)

3.5" SubCompact Embedded Motherboard with Intel® Processor N97, Single Channel DDR5 memory, 4 x COM, 1 x SATA 6Gb/s, 2 x USB 3.2 Gen 2x1, 4 x USB 2.0



Features

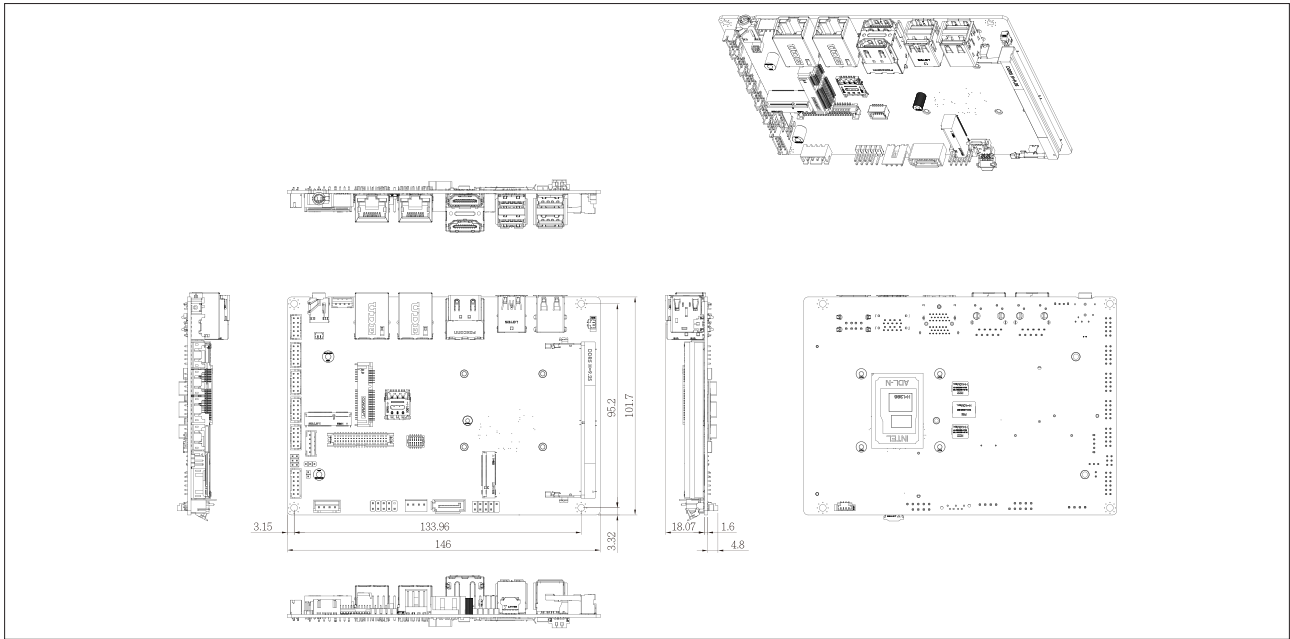
- 3.5" SBC
- Intel® Processor N97
- Single Channel DDR5, 1 x SO-DIMM
- 2 x 2.5GbE LAN Ports
- 1 x SATA 6Gb/s Port
- 1 x COM Port (RS-232/422/485 & RI/5V/12V)
- 1 x COM Port (RS-232/422/485)
- 2 x COM Ports (RS-232)
- TPM on board

Specifications

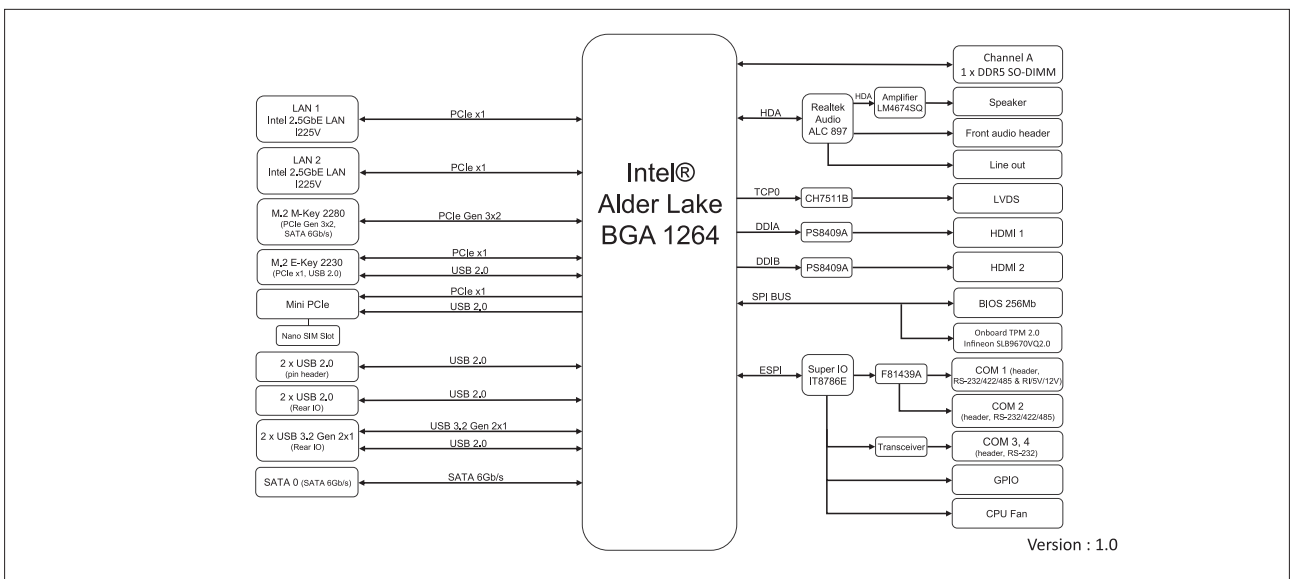
Form Factor	3.5" SBC 146W x 101.7Dmm
CPU	Intel Processor N97 Intel 7, 4 cores, up to 3.60 GHz TDP 12W
Socket	1 x FCBGA1264
Memory	1 x DDR5 SO-DIMM socket, Max. Capacity 16 GB Support Single Channel DDR5 4800 MHz memory modules
Ethernet	2 x 2.5GbE LAN Ports (Intel® I225V)
Video	Integrated Graphics Processor - Intel® UHD Graphics support: 2 x HDMI 2.0 port, supporting a maximum resolution of 4096x2160 @60Hz 1 x LVDS port, supporting a maximum resolution of 1920x1200 @60Hz (3 independent display outputs)
Audio	Realtek® ALC897

Storage	1 x SATA 6Gb/s Port
Expansion Slots	1 x 2280 M.2 M-Key (PCIe x2) 1 x 2230 M.2 E-Key 1 x Full-size mini PCIe with SIM slot
Internal I/O	1 x 4-pin box power connector (DC in +12V~36VDC) 1 x SATA Power header 1 x CPU fan header 1 x Front panel header 1 x Front panel audio header 1 x 2W Speaker out header 2 x USB 2.0 headers 1 x COM header (RS-232/422/485 & RI/5V/12V) 1 x COM header (RS-232/422/485) 2 x COM headers (RS-232) 1 x Backlight Control header 1 x AT/ATX mode select jumper 1 x GPIO (8-bits) & SMBus header 1 x Buzzer header
Rear I/O	1 x Headphone Jack 2 x HDMI 2 x RJ45 LAN Ports 2 x USB 3.2 Gen 2x1 2 x USB 2.0
TPM	Onboard TPM 2.0 security chip INFINEON SLB9670VQ2.0
OS Compatibility	Windows® 10/11 (x64)
Operating Properties	Operating temperature: 0°C to 60°C Operating humidity: 0-90% (non-condensing) Non-operating temperature: -40°C to 85°C Non-operating humidity: 0%-95% (non-condensing)
Packing Content	Carton size: 465 x 351 x 217 (mm) Packing Capacity: 10pcs Single Box size: 221 x 178 x 65 (mm) Including: SATA power Cable x 1 (P/N: 25CRI-200B02-K1R)
Order Information	9MADN9ASMR-SI (Box Packing)

GIGAIPC reserves the right to modify or change technical data without prior notice.



Block Diagram



Optional Kit

Part No.	Description	Quantity
25ST1-12311I-A7R	Fanless Heatsink	1
25ST1-113109-Y0R	Heat Spreader	1
25ST4-123103-Y0R	Fansink	1