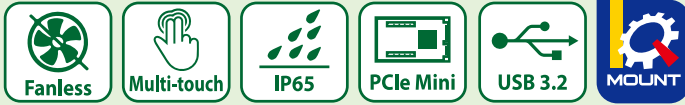


PPC-F Bay Trail Fanless Series

12"/15"/17"/19" Fanless Intel® Bay Trail Solution

Features

- Intel® Celeron® J1900 quad-core SoC
- Robust IP65 aluminum front bezel
- Aesthetic ultra-thin bezel for seamless panel mount installation
- Projected capacitive multi-touch and resistive single touch options
- Dual full-size PCIe Mini card expansion
- 9V~36V DC wide range DC input



Specifications

| Model | | PPC-F12B-BT | PPC-F15B-BT | PPC-F17B-BT |
|------------------|---------------------------------------|---|--------------------|----------------------|
| LCD | LCD Display | 12.1" (4:3) | 15" (4:3) | 17" (5:4) |
| | Max. Resolution | 1024 (W) x 768 (H) | 1024 (W) x 768 (H) | 1280 (W) x 1024 (H) |
| | Brightness (cd/m ²) | 600 | 450 | 350 |
| | Contrast Ratio | 700 : 1 | 800 : 1 | 800 : 1 |
| | LCD Color | 16.2M | 16.2M | 16.7M |
| | Pixel Pitch (mm) | 0.24 x 0.24 | 0.297 x 0.297 | 0.26 x 0.26 |
| | Viewing Angle (H-V) | 160° / 140° | 160° / 150° | 170° / 160° |
| | Backlight MTBF (hrs) | 50000 | 70000 | 50000 |
| Motherboard | CPU | Intel® Celeron® processor J1900 (2M cache, up to 2.42 GHz) | | |
| | RAM | 2 x 204-pin DDR3L SO-DIMM slot (max. 8GB), pre-installed with 2GB | | |
| Touch | Touchscreen & Controller | 5-wire resistive single touch window, 3H/Penmount DMC9000 (Anti-glare Surface) 10-point Projected capacitive touch window, 6H/EETI EXC3188 (Anti-UV, Anti-glare Surface) | | |
| Input Interfaces | I/O Ports & Switches | 2 x RJ-45 LAN port 2 x USB 3.2 Gen 1 (5Gb/s) 2 x USB 2.0 1 x HDMI 2 x RS-232 1 x RS-232/422/485 1 x VGA 1 x 9 V~36 V DC jack (4-pin) 1 x 9 V~36 V DC terminal block 1 x Line-out (PPC-F15B & PPC-F17B & PPC-F19B only) 1 x Power switch | | |
| | Expansion | 1 x Full-size PCIe Mini slot (mSATA/PCIe/USB signal) 1 x Full-size/half-size PCIe Mini slot (PCIe/USB signal) | | |
| Wireless LAN | | 802.11 b/g/n (optional) | | |
| Drive Bay | | 1 x 2.5" HDD/SSD drive bay | | |
| Physical | Construction Material | Aluminum front panel and sheet metal rear cover | | |
| | Mounting | Panel mount, rack mount, VESA 100x100 | | |
| | Enclosure Color | Black C | | |
| | Dimensions (mm) (W x L x D) | 262.2 x 322.2 x 47.2 | 303 x 378.5 x 46.2 | 341.4 x 408.4 x 51.8 |
| | Weight (Net) | 3.2 kg | 4.1 kg | 5 kg |
| | Cutout Dimensions (mm) | 244.8 x 304.8 | 285.6 x 361 | 323 x 390 |
| Environment | Operating Temperature (with air flow) | -10°C~50°C (14°F~122°F) | | |
| | Storage Temperature | -20°C~60°C (-4°F~140°F) | | |
| | Humidity | 10% to 95% (non-condensing) | | |
| | IP Level | IP 65 compliant front panel | | |
| | Safety and EMC | CE & FCC Class A certified | | |
| Power | Power Adapter | P/N: 63040-010060-220-RS 60W Power Adapter Input: 90 ~ 264V AC, 50/60Hz Output: 12V DC | | |
| | Power Requirement | 9 V~36 V DC | | |
| | Power Consumption | 40W | 41W | 42W |

Ordering Information

| Part No. | Description |
|--------------------------|--|
| PPC-F12B-BT-J1/2G/PC-R14 | 12.1" 600 cd/m2 XGA Panel PC with Intel® Celeron® Processor J1900, TDP 10W, 2GB RAM*1, black color, Powder paint, 9-36V DC input, projected capacitive touch window with AG coating, R14 |
| PPC-F12B-BT-J1/2G/R-R14 | 12.1" 600 cd/m2 XGA Panel PC with Intel® Celeron® Processor J1900, TDP 10W, 2GB RAM*1, black color, Powder paint, 9-36V DC input, resistive touch window with AG coating, R14 |
| PPC-F15B-BT-J1/2G/R-R24 | 15" 450 cd/m2 XGA Panel PC with Intel® Celeron® Processor J1900, TDP 10W, 2GB RAM*1, black color, Powder paint, 9-36V DC input, resistive touch window with AG coating, R24 |
| PPC-F17B-BT-J1/2G/R-R15 | 17" 350 cd/m2 SXGA Panel PC with Intel® Celeron® Processor J1900, TDP 10W, 2GB RAM*1, black color, Powder paint, 9-36V DC input, resistive touch window with AG coating, R15 |

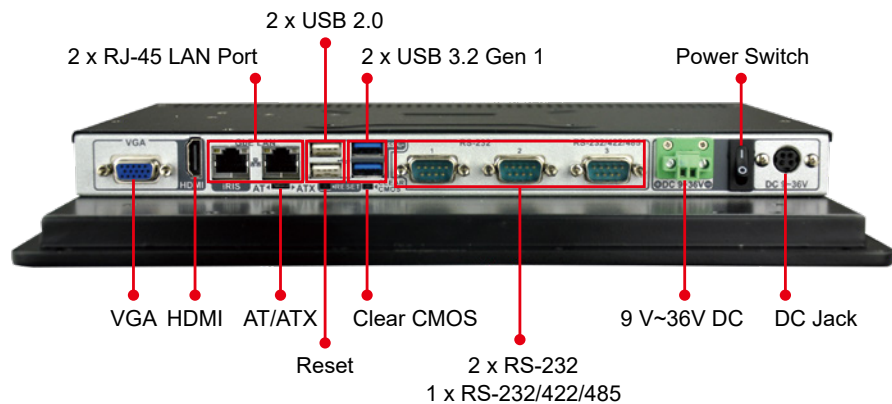
Options

| Item | PPC-F12B | PPC-F15B | PPC-F17B |
|-----------------|--------------------|--------------------|--------------------|
| Arm | N/A | | |
| Stand | STAND-C12-R10 | STAND-C19-R10 | STAND-C19-R10 |
| Wall Mount Kit | WK-190MS-R10 | | |
| Panel Mount Kit | FPK-09-R10 | FPK-10-R10 | FPK-10-R10 |
| Rack Mount Kit | FRK12-R11 | FRK15-R11 | FRK17-R11 |
| Wi-Fi Kit | EMB-WIFI-KIT01-R20 | EMB-WIFI-KIT11-R20 | EMB-WIFI-KIT11-R20 |

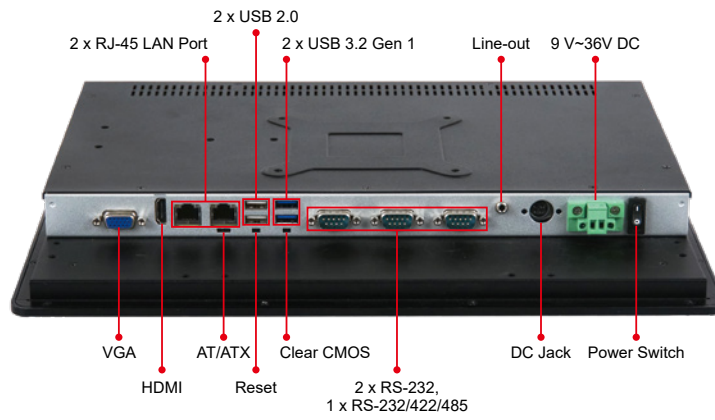
Packing List

| Item | Q'ty | Remark |
|-----------------------|------|--------------------------------------|
| PPC-FxxB-BTi Panel PC | 1 | |
| Power Cord | 1 | Part numbers vary by regions |
| Screw Pack | 1 | Including necessary screws |
| Power Adapter | 1 | 9V~36V DC (P/N: 63040-010060-220-RS) |

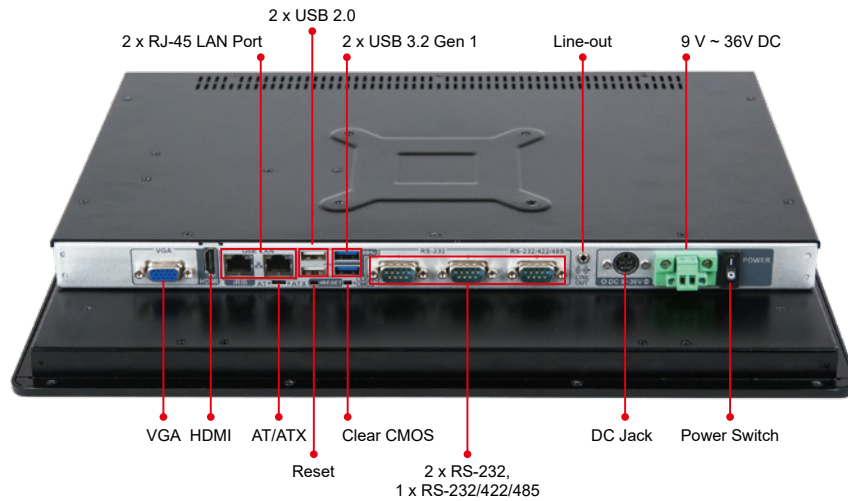
PPC-F12B Fully Integrated I/O



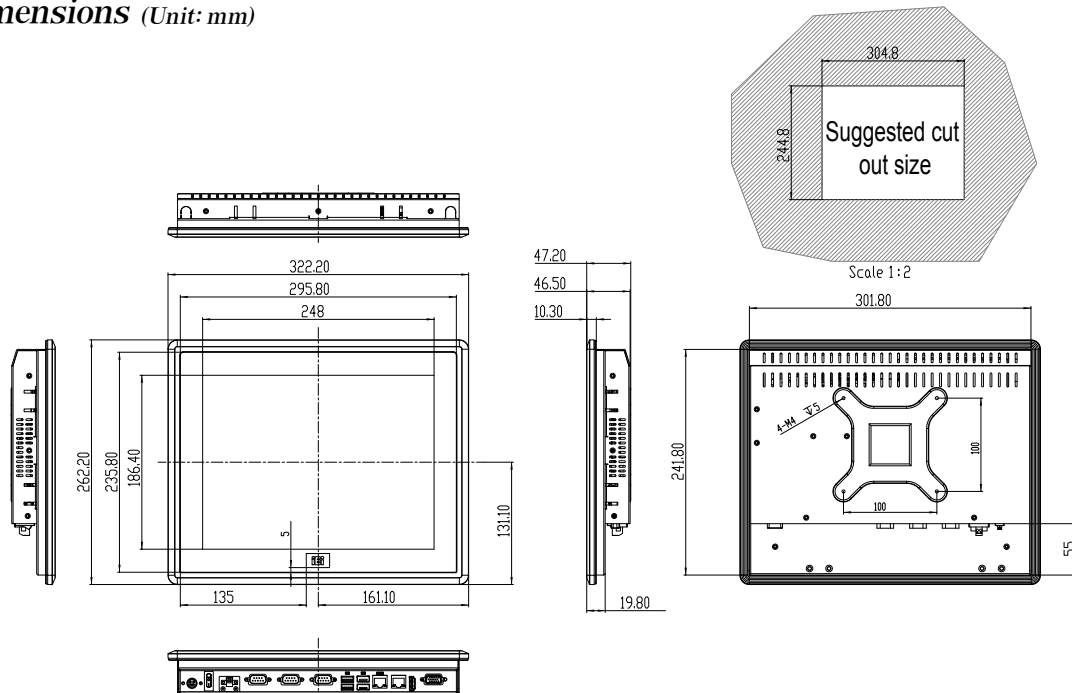
PPC-F15B
Fully Integrated I/O



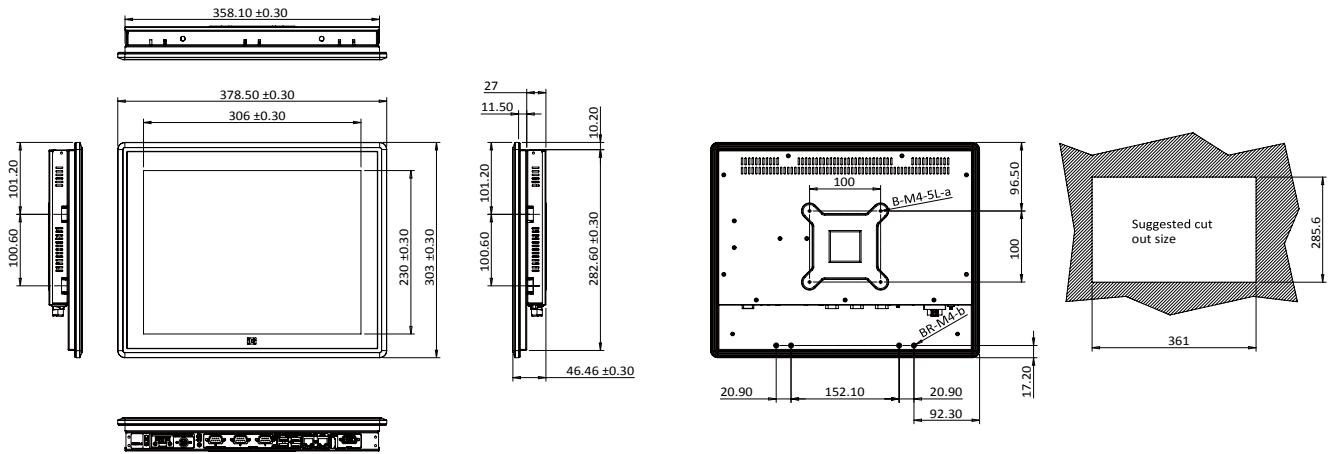
PPC-F17B
Fully Integrated I/O



PPC-F12B
Dimensions (Unit: mm)



PPC-F15B Dimensions (Unit: mm)



PPC-F17B Dimensions (Unit: mm)

