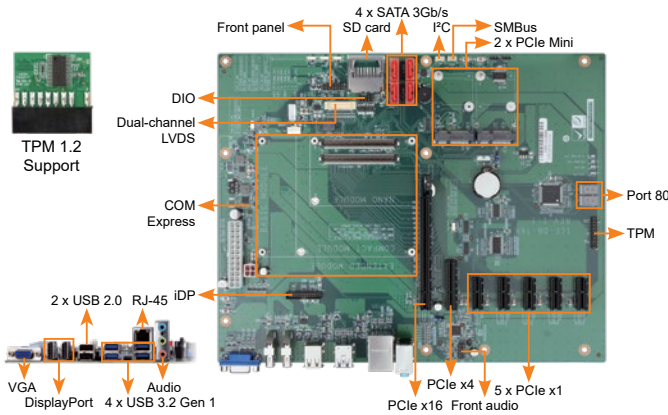




# ICE-DB-T6R

Baseboard for COM Express Type 6 Module COM.0 Rev. 2.1  
(for ICE-ULT3, ICE-QM871 & ICE-BT-T6)



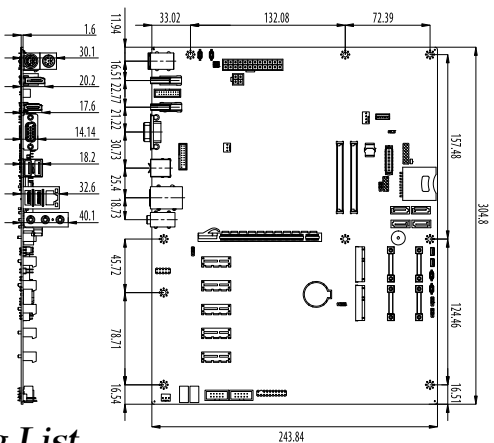
## Features

- ATX form factor baseboard for COM.0 Rev. 2.1, pin-out Type 6
- Support one PCIe x16, one PCIe x4, five PCIe x1, two PCIe Mini
- Support PICMG EAPI R1.0

## Specifications

- ◆ Form Factor: ATX form factor baseboard
- ◆ CPU: Supports COM Express Compact/Mini module using connector pin out Type 6
- ◆ Display Interfaces: 1 x DisplayPort connectors, 1 x LVDS 18/24-bit single or dual-channel (with PWM back light controller), 1 x VGA, 2 x DisplayPort pin-header
- ◆ Audio: Realtek ALC888S HD Audio codec (Line-in, Line-out, Mic)
- ◆ Expansion: 1 x LPC, 1 x PCIe x4, 1 x PCIe x16, 5 x PCIe x1, 2 x PCIe Mini (MINIPCE1 with mSATA support, colay with SATA\_4)
- ◆ Internal I/O Interface: 1 x PS2 KB/MS, 4 x SATA port, 1 x SD card socket
- ◆ External I/O Interface: 1 x Audio jack (Line-in, Line-out, Mic), 1 x DisplayPort connectors, 1 x HDMI, 1 x VGA, 1 x PS2 KB/MS, 2 x USB 2.0, 1 x RJ-45, 4 x USB 3.2 Gen 1 (5Gb/s)
- ◆ Front Audio: 2x5 pin pin header
- ◆ TPM: 1 x TPM (2x10 pin)
- ◆ 80 port: 2x7 segment display
- ◆ Front Panel: 1 x Front panel (2x7 pin, power LED, HDD LED, speaker/buzzer, power button, reset button)
- ◆ I<sup>2</sup>C: 1 x 4-pin wafer
- ◆ SMBus: 1 x 4-pin wafer
- ◆ Internal storage: EEPROM (supports EAPI R1.0)
- ◆ Watchdog Timer: Software programmable supports 1~255 sec system reset
- ◆ GPIO: 8-bit GPIO
- ◆ Power Supply: ATX / AT Power Supply 24+4 pins
- ◆ Fan Connector: 1 x 4-pin / 1 x 3-pin CPU module fan connector, 1 x 3-pin system fan connector by SIO
- ◆ Operating Temperature: -20°C ~ 60°C
- ◆ Storage Temperature: -30°C ~ 70°C
- ◆ Operating Humidity: 5% ~ 95 non-condensing
- ◆ Dimensions: 304.8 mm x 243.8 mm (12" x 9.6")
- ◆ Weight: GW:650g / NW:430g
- ◆ CE/FCC compliant

## Dimensions (Unit: mm)



## Packing List

1 x COM Express baseboard	1 x Mini jumper pack
2 x SATA cable	1 x QIG

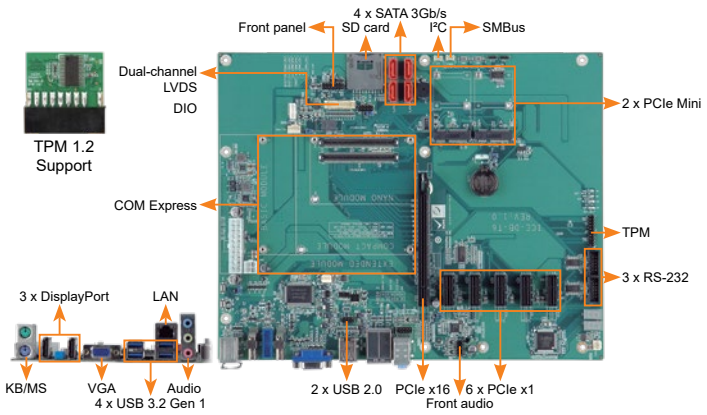
## Ordering Information

Part No.	Description
ICE-DB-T6R-R11	Baseboard for COM Express Type 6 Module COM.0 Rev. 2.1, support PICMG EAPI R1.0
32102-000100-200-RS	SATA power cable, MOLEX 5264-4P to SATA15P



# ICE-DB-T6

Baseboard for COM Express Type 6 Module  
(for ICE-QM770 & ICE-CV-D25501/N26001)



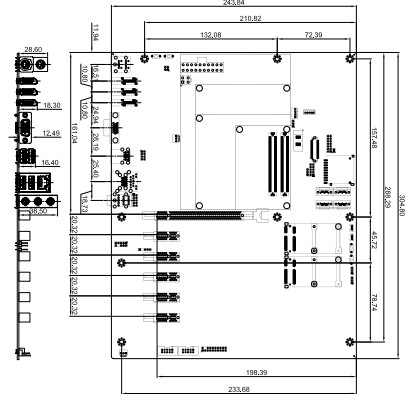
## Features

- ATX form factor baseboard for COM Express Rev. 2, Pin-out Type 6
- Supports one PCIe x16, six PCIe x1 and two PCIe Mini
- Supports smart battery charger

## Specifications

- ◆ Form Factor: ATX form factor baseboard
- ◆ CPU: Supports COM Express Compact/Mini module using connector pin out Type 6
- ◆ Display Interfaces: 1 x 18/24-bit single/dual-channel LVDS, 1 x VGA, 3 x DisplayPort (2 x real connectors, 1 x pin header)
- ◆ Super I/O: W83627DHG
- ◆ Audio: Realtek ALC892 (Colay ALC888) HD Audio codec (Line-in, Line-out, Mic)
- ◆ Expansion: 1 x LPC, 2 x PCIe Mini (with USB), 1 x PCIe x16, 6 x PCIe x1
- ◆ Internal I/O Interface: 1 x PS2 KB/MS, 2 x RS-232 from SIO, 1 x SD, 2 x USB 2.0, 4 x SATA port, 2 x RS-232 from COM Express (only TX, RX and GND)
- ◆ External I/O Interface: 1 x VGA, 4 x USB 3.2 Gen 1 (5Gb/s), 1 x RJ-45, 3 x DisplayPort, 1 x Audio jack (Line-in, Line-out, Mic)
- ◆ Front Audio: 1 x Front audio (2x5 pin)
- ◆ TPM: 1 x TPM (2x10 pin)
- ◆ 80 port: 2x7 segment display
- ◆ Front Panel: 1 x Front panel (2x7 pin, power LED, HDD LED, speaker/buzzer, power button, reset button)
- ◆ I<sup>2</sup>C: 1 x 4-pin wafer
- ◆ SMBus: 1 x 4-pin wafer
- ◆ Watchdog Timer: Software programmable supports 1~255 sec. system reset
- ◆ GPIO: 8-bit GPIO (GPIO from iWDD co-lay SIO)
- ◆ Power Supply: ATX/AT power supply
- ◆ Battery: Supports smart battery charger connector
- ◆ Fan Connector: 1 x 4-pin / 1 x 3-pin CPU module fan connector, 1 x 3-pin system fan connector by SIO
- ◆ Operating Temperature: -10°C ~ 60°C
- ◆ Storage Temperature: -20°C ~ 70°C
- ◆ Operating Humidity: 5% ~ 95%, non-condensing
- ◆ Dimensions: 304.8 mm x 243.8 mm (12" x 9.6")
- ◆ Weight: GW:660g / NW:450g
- ◆ CE/FCC compliant

## Dimensions (Unit: mm)



## Packing List

1 x COM Express baseboard	1 x Mini jumper pack
1 x Dual-port RS-232 cable	1 x Mini jumper pack
2 x SATA cable	1 x QIG

## Ordering Information

Part No.	Description
ICE-DB-T6-R10	Baseboard for COM Express Type 6 modules
19800-000082-RS	RS-232/422/485 cable, 14-pin to dual DB-9, 230mm, P=2.54
32102-000100-200-RS	SATA power cable, MOLEX 5264-4P to SATA15P