

Ordering Information

Part No.	Description
DRPC-240AI-i5RC-R10	Fan embedded system, Intel® Core™ i5-1145GRE 1.50GHz (quad core), 8GB DDR4 pre-installed, HDMI/DP, 4 x 2.5GbE LAN, 4 x COM, DIO, 12~28VDC, 256GB SSD, 120W power adapter, PCIe x4 expansion layer, RoHS
DRPC-240AI-i5RCS-R10	Fanless embedded system, Intel® Core™ i5-1145GRE 1.50GHz (quad core), 8GB DDR4 pre-installed, HDMI/DP, 4 x 2.5GbE LAN, 4 x COM, DIO, 12~28VDC, 256GB SSD, 120W power adapter, RoHS

*MOQ 100pcs are required

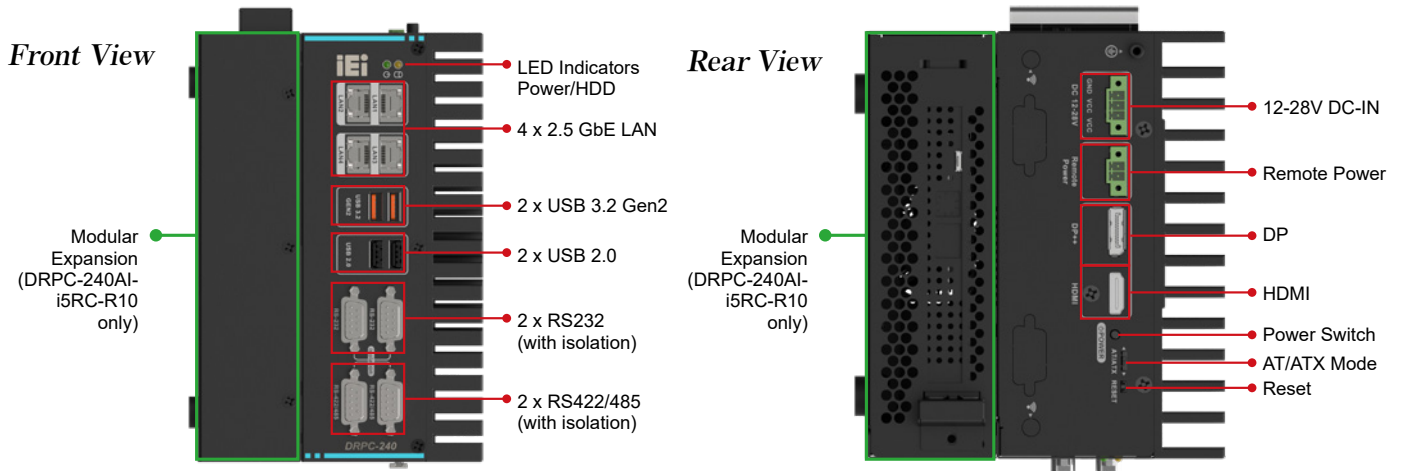
AI Accelerator Card Options

Part No.	Description
Mustang-V100-MX8-R20	Computing Accelerator Card with 8 x Intel® Movidius™ Myriad™ X MA2485 VPU, PCIe Gen2 x4 interface, RoHS

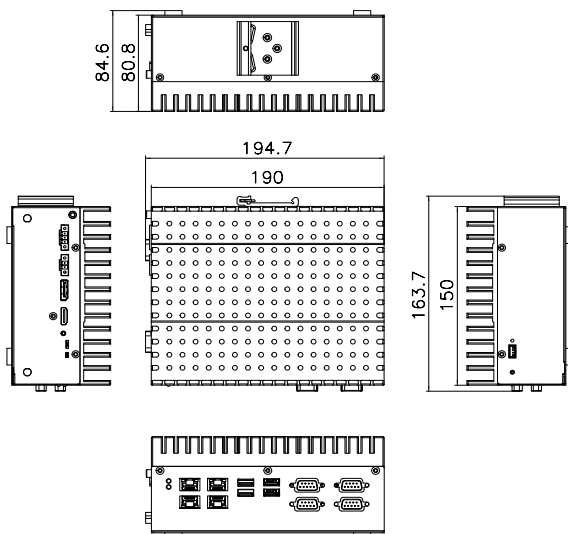
Packing List

1 x Chassis Screw	1 x DIN-Rail Mounting Kit	1 x Quick Start Guide
1 x 120W Adapter	1 x Power Cord	

I/O Locations



DRPC-240AI-i5RCS-R10 Dimensions (Unit: mm)



DRPC-240AI-i5RC-R10 Dimensions (Unit: mm)

