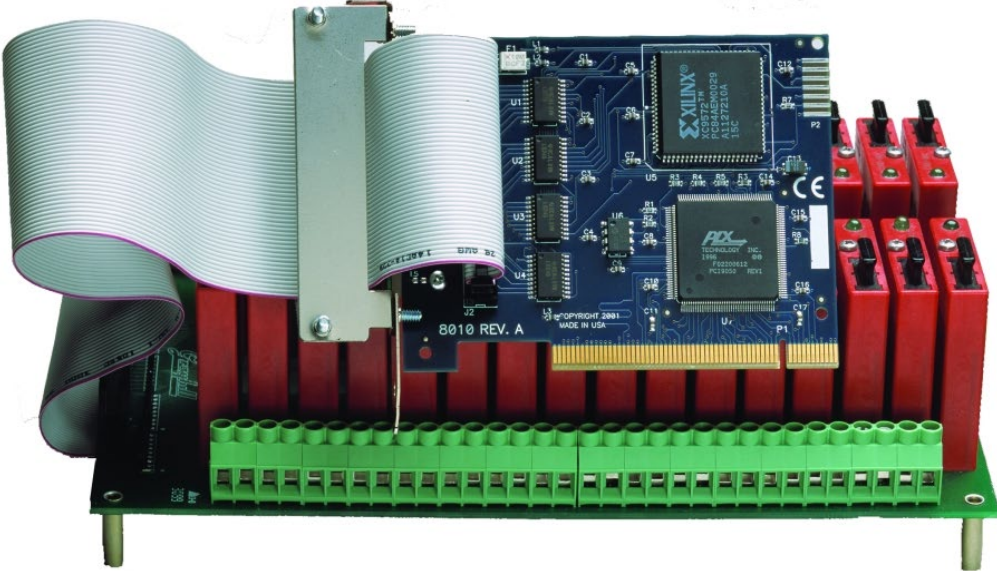


PIO-32.PCI

User Manual | 8010



SEALEVEL®

Contents

- INTRODUCTION 3
- BEFORE YOU GET STARTED 4
- SOFTWARE INSTALLATION 7
- PHYSICAL INSTALLATION 8
- DIGITAL I/O INTERFACE..... 9
- PROGRAMMING THE PIO-32.PCI 10
- ELECTRICAL CHARACTERISTICS 12
- SPECIFICATIONS 13
- EXAMPLE CIRCUITS 14
- APPENDIX A – TROUBLESHOOTING..... 15
- APPENDIX B – HOW TO GET ASSISTANCE 16
- APPENDIX C – SILK SCREEN - 8010 PCB 17
- APPENDIX D – COMPLIANCE NOTICES 18
- WARRANTY 19

Introduction

The PIO-32.PCI part number 8010 digital I/O interface provides 32 channels of buffered drive digital I/O. The PIO-32.PCI can be utilized for a variety of control and automation applications including control and monitoring of TTL devices (e.g. LEDs, small solenoids, and small relays) and interfacing to solid-state relay racks (SSRs) for high-power AC or DC loads.

The PIO-32.PCI's 32 digital I/O channels are accessed via a 50-pin header connector with industry-standard pin out. The header provides 32 bits of digital I/O divided into four eight-bit groups. Each eight-bit group may be individually configured via software command as input or output to best match your particular application requirements.

The PIO-32.PCI is designed to be used with a variety of Operating Systems including Windows 98/NT/ME/2000/XP, Linux, and DOS. The Seal/O API (Application Programmer Interface) included in the software provides a variety of useful high-level function calls implemented as a Windows dynamic link library (DLL) and as a Linux kernel module and library. In addition to the API, Seal/O includes sample code and utilities to simplify software development.

Other Sealevel PCI Digital I/O Products

PIO-24.PCI	(P/N 8008)	- 24 TTL Inputs/Outputs
PIO-48.PCI	(P/N 8005)	- 48 TTL Inputs/Outputs
PIO-96.PCI	(P/N 8009)	- 96 TTL Inputs/Outputs
PIO-32.PCI	(P/N 8002)	- 8 Reed Relay Outputs/8 Opto-isolated Inputs
REL-16.PCI	(P/N 8003)	- 16 Reed Relay Outputs
DIO-32.PCI	(P/N 8004)	- 16 Reed Relay Outputs/16 Opto-isolated Inputs
ISO-16.PCI	(P/N 8006)	- 16 Opto-isolated Inputs
REL-32.PCI	(P/N 8007)	- 32 Reed Relay Outputs
PLC-16.PCI	(P/N 8011)	- 8 Form C Relay Outputs/ 8 Opto-isolated Inputs

Before You Get Started

What's Included

The PIO-32.PCI is shipped with the following items. If any of these items is missing or damaged, please contact Sealevel for replacement.

- **PIO-32.PCI Adapter**

Advisory Conventions



Warning

The highest level of importance used to stress a condition where damage could result to the product, or the user could suffer serious injury.



Important

The middle level of importance used to highlight information that might not seem obvious or a situation that could cause the product to fail.



Note

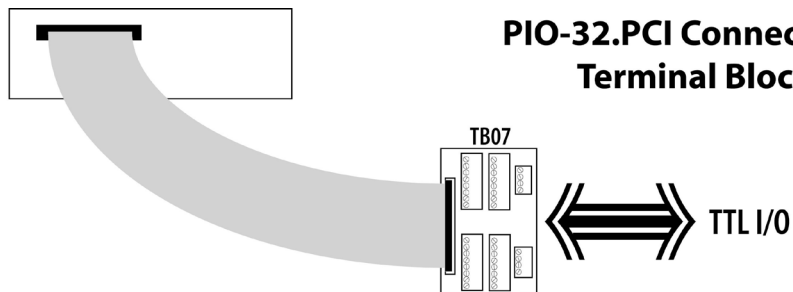
The lowest level of importance used to provide background information, additional tips, or other non-critical facts that will not affect the use of the product.

Optional Items

Depending upon your application, you are likely to find one or more of the following items useful for interfacing the PIO-32.PCI to real-world signals. All items can be purchased from our website (www.sealevel.com) or by calling (864) 843-4343.

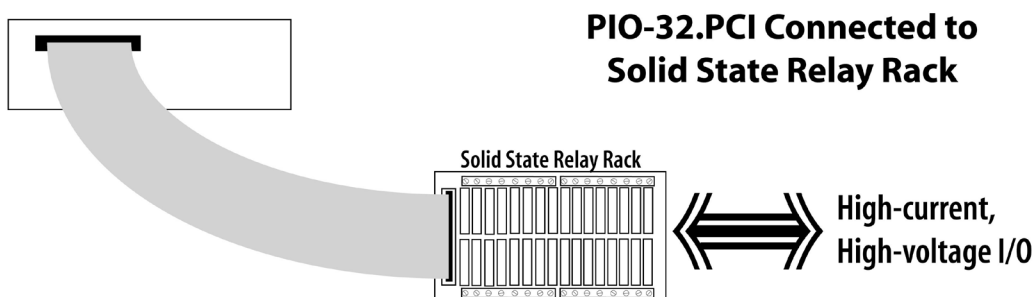
For TTL applications:

- **Terminal Block Kit - (Part Number KT107)**
 - Kit includes the TB07 screw terminal block and CA167 ribbon cable for connecting one of the PIO-32.PCI's 50-pin header connectors to your I/O. 6" Snap track and DIN rail clips are included for DIN rail mounting.
- **IDC 50 to IDC 50 Pin 40" Ribbon Cable (Part Number CA167)**
 - Interfaces each of the PIO-32.PCI's 50-pin header connectors.



For high-current, high-voltage applications:

- **IDC 50 to IDC 50 Pin Ribbon Cable (Part Number CA167)**
 - 40" cable connects the PIO-32.PCI to solid-state relay racks equipped with 50-pin header interface.
- **IDC 50 to IDC 50 Pin Ribbon Cable (Part Number CA135)**
 - 40" cable connects the PIO-32.PCI to solid-state relay racks equipped with 50-pin edge connector.
- **Solid-State Relay Racks:**
 - **Quad six position relay rack (Part Number PB24HQ)**
 - Relay rack can accept up to six QSSRs for a total of 24 channels. Features a 50-pin header connector for easy interface via 50-conductor ribbon cables.
 - **Quad four position relay rack (Part Number PB16HQ)**
 - Relay rack can accept up to four QSSRs for a total of 16 channels. Features a 50-pin header connector for easy interface via 50-conductor ribbon cables.
- **Quad Solid-State Relay Modules:**
 - **AC Input (Part Number IA5Q)** - Provides 4 channels of discrete I/O interface to monitor AC inputs up to 140V @ 10mA.
 - **DC Input (Part Number IB5Q)** - Provides 4 channels of discrete I/O interface to monitor DC inputs from 3.3V to 32V.
 - **AC Output (Part Number OA5Q)** - Provides 4 channels of discrete I/O interface to control AC outputs up to 140V @ 3A.
 - **DC Output (Part Number OB5Q)** - Provides 4 channels of discrete I/O interface to control DC outputs up to 60V @ 3A.



Software Installation

Windows Installation



Do not install the adapter in the machine until the software has been fully installed.



Only users running Windows 7 or newer should utilize these instructions for accessing and installing the appropriate driver via Sealevel's website. If you are utilizing an operating system prior to Windows 7, please contact Sealevel by calling 864.843.4343 or emailing support@sealevel.com to receive access to the legacy driver download and installation instructions.

1. Select the download for the SealO Classic for Windows ([Software: SealO Classic V5 - Windows - Sealevel.](#)) The setup file will automatically detect the operating environment and install the proper components. Next (depending on your browser) select the 'Run this program from its current location' or 'Open' option. Follow the information presented on the screens that follow. During setup, the user may specify installation directories and other preferred configurations. This program also adds entries to the system registry that are necessary for specifying the operating parameters for each driver. An uninstall option is also available to remove SealO files and registry/INI file entries from the system.
2. A screen may appear with the declaration: "The publisher cannot be determined due to the problems below: Authenticode signature not found." Please select the 'Yes' button and proceed with the installation. This declaration simply means that the Operating System is not aware of the driver being loaded. It will not cause any harm to your system.
3. During setup, the user may specify installation directories and other preferred configurations. This program also adds entries to the system registry that are necessary for specifying the operating parameters for each driver. An uninstall option is also included to remove all registry/INI file entries from the system.

Windows software installation is complete.



Windows NT Card Installation: After accomplishing the above steps, bring up the Control Panel and double-click on the SealO Devices icon. To install a new card, click "Add Port". Repeat this procedure for as many SealO cards as you wish to install.



Linux Software: You may download the [SealO Classic for Linux Windows](#) for the 8010. If you need additional information with this installation, please contact Sealevel's Technical Support: support@sealevel.com.

Physical Installation

The adapter can be installed in any 5V PCI expansion slot.



Do not install the adapter in the machine until the software has been fully installed.

1. **Turn off PC power. Disconnect the power cord.**
2. Remove the PC case cover.
3. Locate an available 5V PCI slot and remove the blank metal slot cover.
4. Gently insert the PCI adapter into the slot. Make sure that the adapter is seated properly.
5. After the adapter has been installed, the cables should be routed thru the opening in the bracket. This bracket also features a strain relief function that should be used to prevent un-expected cable removal.
6. Replace the screw you removed for the blank and use it to secure the adapter into the slot. (This is required to ensure FCC Part 15 compliance.)
7. Replace the cover.
8. Connect the power cord.

The PIO-32.PCI is now ready for use.

Digital I/O Interface

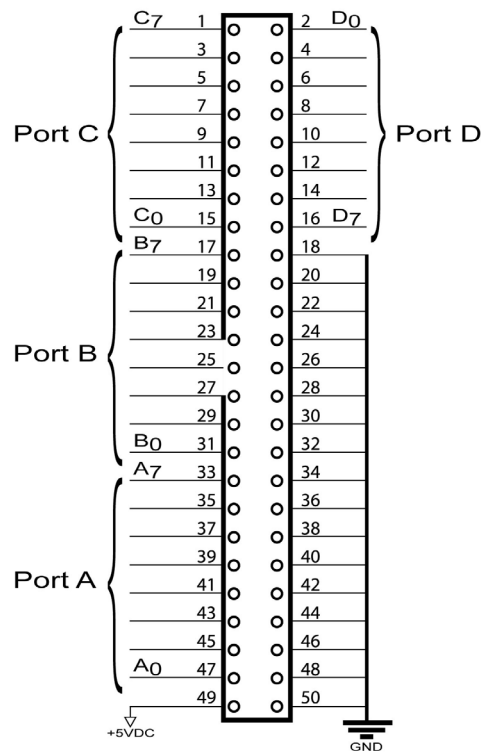
The PIO-32.PCI's 32 digital I/O channels are accessed via an industry-standard 50-pin header connector. The header provides 32 bits of digital I/O divided into four eight-bit ports. Each port may be individually configured via software command as input or output.



Relay racks with less than 32 channels expect all even pins to be commons. When using relay racks with less than 32 channels, set Port D as an input to avoid shorting the outputs to ground through the relay rack.

50-pin Header Connector

The PIO-32.PCI's bracket features a unique cable clamp that provides a solid strain relief to prevent inadvertent cable removal. You will need to install the bracket assembly and cable to the PIO-32.PCI prior to installing it in the PC. The 50-pin connector has the following pin out which is compatible with a wide variety of solid state relay racks.



Programming the PIO-32.PCI

Sealevel's Seal/O software is provided to assist in the development of reliable applications for the Sealevel Systems family of digital I/O adapters. Included in Sealevel's software and drivers are driver functions for use in accessing the I/O as well as helpful samples and utilities.

Programming for Windows

The Seal/O API (Application Programmer Interface) provides a variety of useful high-level function calls implemented in a Windows dynamic link library (DLL). The API is defined in the help file (Start/Programs/SealO/SealO Help) under "Application Programmers Interface". This help file also includes detailed information dealing with installation / removal of the software and information about latency, logic states, and device configuration.

For C language programmers we recommend using the API to access the PIO-32.PCI. If you are programming in Visual Basic, using the ActiveX control included with Seal/O is advised.

Samples and Utilities

A variety of sample programs and utilities (both executable and source code) are included in the software for the Seal/O. Further documentation on these samples can be found by selecting "Start/Programs/SealO/Sample Application Description." If you have any problems locating these files, please contact Sealevel's Technical Support at 864-843-4343 or email support@sealevel.com.

Programming for Linux

Seal/O for Linux consists of two major parts: a kernel module and a library. The kernel module is a simple IO pass-through device, allowing the library to handle the more sophisticated functions provided to Seal/O users. It is provided in a 'tarball' format and can easily be compiled and included in the kernel build.

Direct Hardware Control

In systems where the users program has direct access to the hardware (DOS) the tables that follow give the mapping and functions that the PIO-32.PCI provides.

Reading the Inputs

The inputs are active true. If an input is driven high (2V to 5.25 V) it will read as a logical one, if driven low (0V to 0.8V) it will read as a logical zero. If an input is not driven it will read as a one due to the 10K ohm pull up resistors on each port.

Reading the Outputs

The value that is currently being used to drive the outputs will be returned.

Presetting an Output Port

Each port has an output register associated with it. This register may be written and retains its value whether the port is configured as an input or an output. To preset the value of an output port the program should write to the port when it is configured as an input then configure it as an output.

Writing the Outputs

The outputs are active true. Writing a one (1) corresponds to 5V while writing a zero (0) corresponds to 0V, at the output.



Relay racks with less than 32 channels expect all even pins to be commons. When using relay racks with less than 32 channels, set Port D as an input to avoid shorting the outputs. The middle level of importance used to highlight information that might not seem obvious or a situation that could cause the product to fail.

Register Description

Address		Mode	D7	D6	D5	D4	D3	D2	D1	D0
Base+0	Port A1	RD/WR	PA1D7	PA1D6	PA1D5	PA1D4	PA1D3	PA1D2	PA1D1	PA1D0
Base+1	Port B1	RD/WR	PB1D7	PB1D6	PB1D5	PB1D4	PB1D3	PB1D2	PB1D1	PB1D0
Base+2	Port C1	RD/WR	PC1D7	PC1D6	PC1D5	PC1D4	PC1D3	PC1D2	PC1D1	PC1D0
Base+3	Port D1	RD/WR	PD1D7	PD1D6	PD1D5	PD1D4	PD1D3	PD1D2	PD1D1	PD1D0
Base+4	Direction Control	RD/WR	0	0	0	0	DIRD	DIRC	DIRB	DIRA
Base+5	Interrupt Control	RD/WR	IRQEN	IRQST	0	0	0	0	IRC1	IRC0

Direction Control

Bit	Port	Direction
DIRA	A	0 = input, 1 = output
DIRB	B	0 = input, 1 = output
DIRC	C	0 = input, 1 = output
DIRD	D	0 = input, 1 = output

Interrupt Control

When enabled interrupts are generated on port bit D0 of port A1.

IRQEN	Interrupt Enable	1 = enabled	0 = disabled (0 on power up)
-------	------------------	-------------	--------------------------------

Interrupt mode select table

IRC1	IRC0	INT Type
0	0	Low level
0	1	High level
1	0	Falling edge
1	1	Rising edge

Interrupt Read

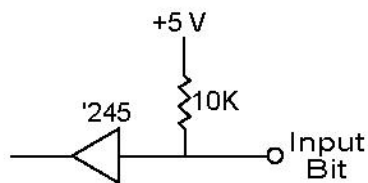
Reading the Interrupt Control port (Base+5) clears any interrupt pending.

IRQST	(D0) Interrupt status	1 = interrupt pending, 0 = none
-------	-----------------------	---------------------------------

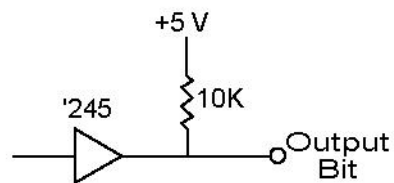
Electrical Characteristics

The PIO-32.PCI uses 74LS245 octal bi-directional transceivers to provide TTL input/output capabilities. Each bit is pulled to +5V through a 10K ohm pull-up resistor to insure each bit is at a known state when not driven.

Input Circuit Schematic



Output Circuit Schematic



Specifications

Inputs

Logic High:	Min 2VDC
Logic Low:	Max 0.8VDC

Outputs

Logic High:	Min 2VDC @ 15 mA
Logic Low:	Max 0.5VDC @ 24 mA

Temperature Range

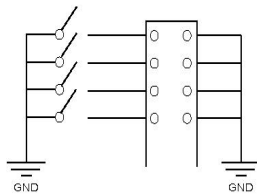
Operating	0°C - 70°C
Storage	-50°C - 105°C

Power Requirements

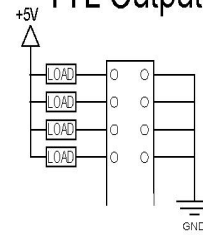
Supply line	+5 VDC
Rating	1A

Example Circuits

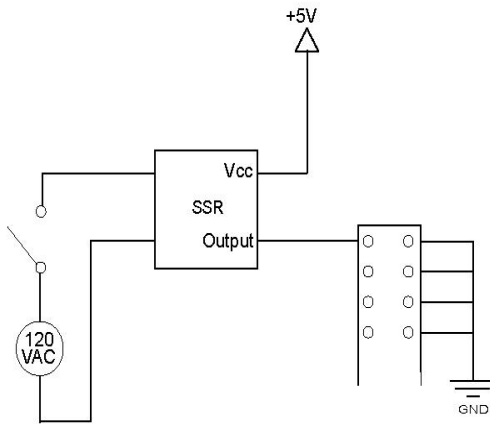
TTL Input



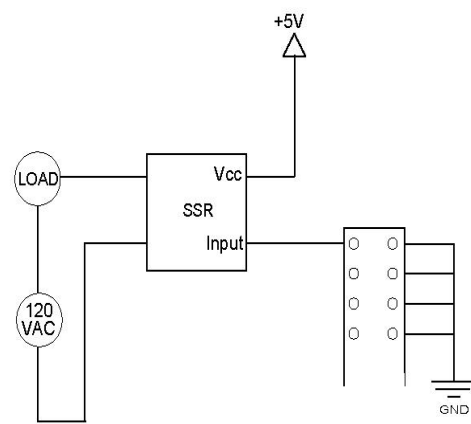
TTL Output



Solid State Relay Input



Solid State Relay Output



Appendix A – Troubleshooting

Following these simple steps can eliminate most common problems.

1. **Install software first.** After installing the software then proceed to adding the hardware. This places the required installation files in the correct locations.
2. Read this manual thoroughly before attempting to install the adapter in your system.
3. Use Device Manager under Windows to verify proper installation.
4. Use the SealIO Control Panel applet or the Device Manager's property page for card identification and configuration.

If these steps do not solve your problem, please call Sealevel Systems' Technical Support, (864) 843-4343. Our technical support is free and available Monday through Friday from 8:00 AM - 5:00 PM, Eastern Time. For email support contact support@sealevel.com.

Appendix B – How To Get Assistance

Begin by reading through the Troubleshooting Guide in [Appendix A](#). If assistance is still needed, please see below.

When calling for technical assistance, please have your user manual and current adapter settings. If possible, please have the adapter installed in a computer ready to run diagnostics.

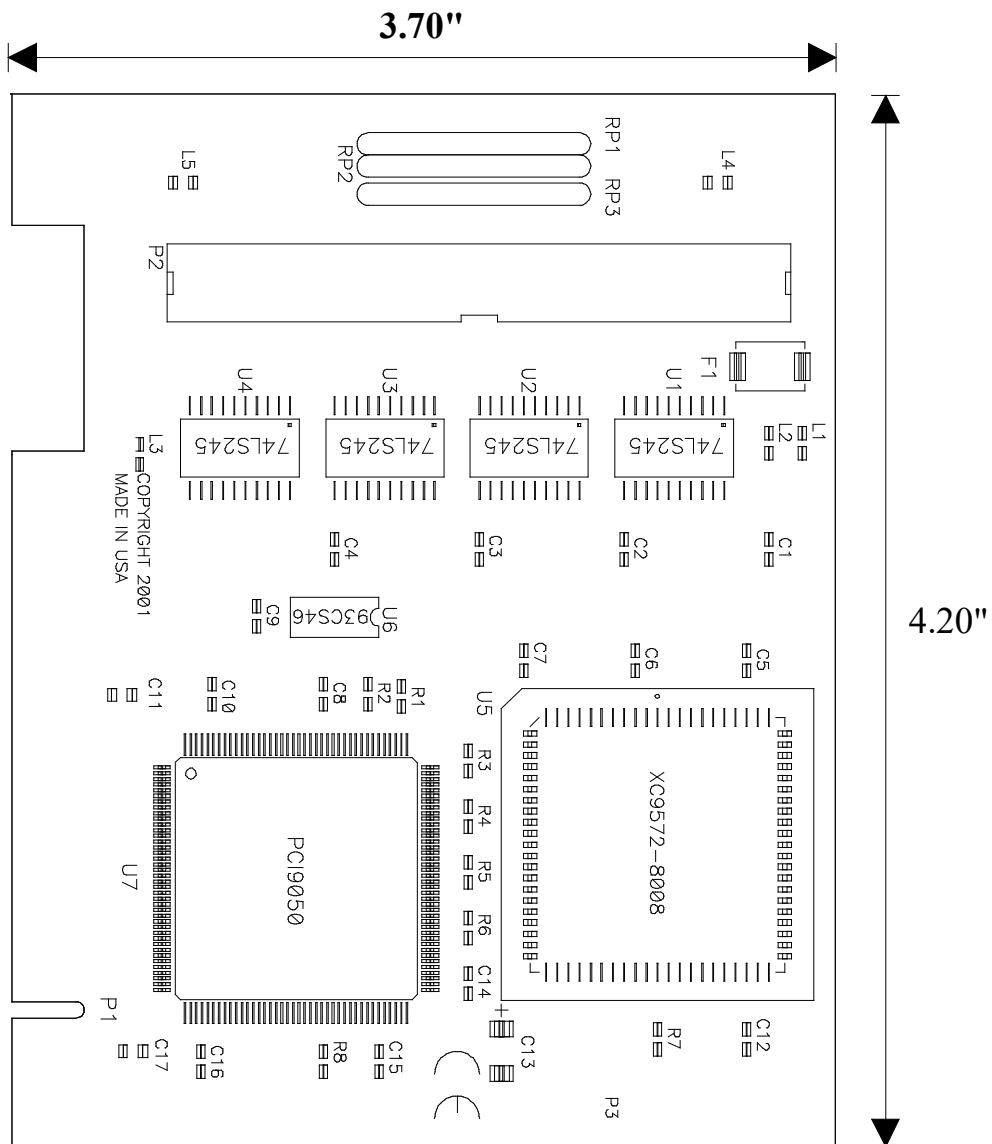
Sealevel Systems provides an FAQ section on its web site. Please refer to this to answer many common questions. This section can be found at <http://www.sealevel.com/faq.asp>.

Sealevel Systems maintains a Home page on the Internet. Our home page address is www.sealevel.com. The latest software updates, and newest manuals are available via our FTP site that can be accessed from our home page.

Technical support is available Monday to Friday from 8:00 AM to 5:00 PM, Eastern Time. Technical support can be reached at (864) 843-4343. For email support contact support@sealevel.com.

RETURN AUTHORIZATION MUST BE OBTAINED FROM SEALEVEL SYSTEMS BEFORE RETURNED MERCHANDISE WILL BE ACCEPTED. AUTHORIZATION CAN BE OBTAINED BY CALLING SEALEVEL SYSTEMS AND REQUESTING A RETURN MERCHANDISE AUTHORIZATION (RMA) NUMBER.

Appendix C – Silk Screen - 8010 PCB



Appendix D – Compliance Notices

Federal Communications Commission (FCC) Statement



This equipment has been tested and found to comply with the limits for Class A digital device, pursuant to Part 15 of the FCC Rules. These limits are designed to provide reasonable protection against harmful interference when the equipment is operated in a commercial environment. This equipment generates, uses, and can radiate radio frequency energy and, if not installed and used in accordance with the instruction manual, may cause harmful interference to radio communications. Operation of this equipment in a residential area is likely to cause harmful interference in such case the user will be required to correct the interference at the users expense.

EMC Directive Statement



Products bearing the CE Label fulfill the requirements of the EMC directive (89/336/EEC) and of the low-voltage directive (73/23/EEC) issued by the European Commission. To obey these directives, the following European standards must be met:

- **EN55022 Class A** - “Limits and methods of measurement of radio interference characteristics of information technology equipment”
- **EN55024** – “Information technology equipment Immunity characteristics Limits and methods of measurement”.



This is a Class A Product. In a domestic environment, this product may cause radio interference in which case the user may be required to take adequate measures to prevent or correct the interference.



Always use cabling provided with this product if possible. If no cable is provided or if an alternate cable is required, use high quality shielded cabling to maintain compliance with FCC/EMC directives.

Warranty

Sealevel's commitment to providing the best I/O solutions is reflected in the Lifetime Warranty that is standard on all Sealevel manufactured I/O products. We are able to offer this warranty due to our control of manufacturing quality and the historically high reliability of our products in the field. Sealevel products are designed and manufactured at its Liberty, South Carolina facility, allowing direct control over product development, production, burn-in and testing. Sealevel achieved ISO-9001:2015 certification in 2018.

Warranty Policy

Sealevel Systems, Inc. (hereafter "Sealevel") warrants that the Product shall conform to and perform in accordance with published technical specifications and shall be free of defects in materials and workmanship for the warranty period. In the event of failure, Sealevel will repair or replace the product at Sealevel's sole discretion. Failures resulting from misapplication or misuse of the Product, failure to adhere to any specifications or instructions, or failure resulting from neglect, abuse, accidents, or acts of nature are not covered under this warranty.

Warranty service may be obtained by delivering the Product to Sealevel and providing proof of purchase. Customer agrees to ensure the Product or assume the risk of loss or damage in transit, to prepay shipping charges to Sealevel, and to use the original shipping container or equivalent. Warranty is valid only for original purchaser and is not transferable.

This warranty applies to Sealevel manufactured Product. Product purchased through Sealevel but manufactured by a third party will retain the original manufacturer's warranty.

Non-Warranty Repair/Retest

Products returned due to damage or misuse and Products retested with no problem found are subject to repair/retest charges. A purchase order or credit card number and authorization must be provided in order to obtain an RMA (Return Merchandise Authorization) number prior to returning Product.

How to obtain an RMA (Return Merchandise Authorization)

If you need to return a product for warranty or non-warranty repair, you must first obtain an RMA number. Please contact Sealevel Systems, Inc. Technical Support for assistance:

Available	Monday – Friday, 8:00 AM to 5:00 PM EST
Phone	864-843-4343
Email	support@sealevel.com

Trademarks

Sealevel Systems, Incorporated acknowledges that all trademarks referenced in this manual are the service mark, trademark, or registered trademark of the respective company.