

# Sea/I/O

## User Manual | SEAI/O



SEALEVEL®

# Contents

CONTENTS.....	2
BEFORE YOU GET STARTED.....	4
<i>Advisory Conventions</i> .....	4
<i>Useful Accessories</i> .....	4
INTRODUCTION.....	6
<i>Industry Segments</i> .....	6
<i>Features</i> .....	7
<i>Seal/O Products in This Manual</i> .....	8
<i>Maximizing Performance</i> .....	10
SEAL/O HARDWARE DESCRIPTION.....	11
<i>Seal/O Base and Expansion Modules</i> .....	11
<i>Seal/O Module Common Features</i> .....	12
<i>Seal/O Configurations &amp; Specifications</i> .....	13
POWER OPTIONS.....	38
<i>Base Module Power Connection</i> .....	38
<i>Seal/O Expansion Power Connection</i> .....	38
<i>Seal/O Max Power Requirements</i> .....	38
<i>TTL Power Requirements</i> .....	39
<i>Sample Power Calculation</i> .....	39
SEAMAX APPLICATION SUITE.....	40
<i>SeaMAX Overview</i> .....	40
<i>Communicating Via Modbus</i> .....	40
<i>SeaMAX Software Installation</i> .....	41
<i>Instructions for Downloaded Software Installation</i> .....	41
<i>Upgrading to the current Seal/O Software (SeaMAX)</i> .....	41
<i>MaxSSD Configuration &amp; Diagnostics Utility</i> .....	42
<i>Troubleshooting - SeaMAX</i> .....	50
MOD+ CONNECT MOBILE APP.....	51
HARDWARE CONFIGURATION.....	52
<i>Setting Device Address (Slave ID)</i> .....	52
<i>Setting Termination &amp; Pull-Up/Pull-Down Resistors</i> .....	53
<i>Configuring the “Base” Seal/O Module</i> .....	53
<i>Configuring N-Series Expansion Modules</i> .....	55
<i>Configuring a Wireless (W-Series) Module or Wireless Gateway</i> .....	55
<i>Configuring an Ethernet (E-Series) Module</i> .....	65
<i>Advanced Module Features</i> .....	68
<i>Seal/O-463 Ribbon Cable Installation</i> .....	72
<i>Seal/O-470 Jumper and Dipswitch Settings</i> .....	74
<i>Seal/O-570 Dipswitch Settings</i> .....	77

<b>WIRING OPTIONS</b> .....	<b>79</b>
<i>Seal/O Pass-Through Connector</i> .....	79
<i>I/O Wiring – Seal/O-462 and 463 Modules</i> .....	81
<i>I/O Wiring – Seal/O-470 Modules</i> .....	84
<i>I/O Wiring – Seal/O-520 Modules</i> .....	87
<i>I/O Wiring – Seal/O-530 and 540 Modules</i> .....	88
<i>I/O Wiring – Seal/O-570 Modules</i> .....	89
<i>I/O Wiring – Seal/O-580 Modules</i> .....	92
<i>Connector Pin Outs</i> .....	93
<b>MOUNTING OPTIONS</b> .....	<b>94</b>
<b>SEALATCH™ USB</b> .....	<b>95</b>
<i>SeaLATCH Locking USB Cables</i> .....	96
<b>ACCESSORIES</b> .....	<b>97</b>
<i>Power Supplies</i> .....	97
<i>Mounting Options</i> .....	99
<i>Cabling Options</i> .....	101
<b>APPENDIX A – HANDLING INSTRUCTIONS</b> .....	<b>104</b>
<i>SAFETY INSTRUCTIONS</i> .....	104
<b>APPENDIX B – HOW TO GET ASSISTANCE</b> .....	<b>105</b>
<b>APPENDIX C – TROUBLESHOOTING</b> .....	<b>106</b>
<b>APPENDIX D – COMPLIANCE NOTICES</b> .....	<b>108</b>
<b>WARRANTY</b> .....	<b>109</b>

# Before You Get Started

## Advisory Conventions



### Warning

The highest level of importance used to stress a condition where damage could result to the product, or the user could suffer serious injury.



### Important

The middle level of importance used to highlight information that might not seem obvious or a situation that could cause the product to fail.



### Note

The lowest level of importance used to provide background information, additional tips, or other non-critical facts that will not affect the use of the product.





Do not connect the I/O module to the host until SeaMAX software is installed.

## Useful Accessories



All items can be purchased from our website ([www.sealevel.com](http://www.sealevel.com)), or by calling our sales team at +1 (864) 843-4343.

E Series (Ethernet)	
<b>CAT5 Patch Cable (Part# CA246)</b> Standard 7' CAT5 UTP Patch Cable (RJ45).	
<b>CAT5 Crossover Cable (Part# CA251)</b> Standard 7' CAT5 UTP Crossover Cable (RJ45).	

U Series (USB)	
<b>USB Type A to SeaLATCH USB Type B Device Cable (Part# CA356)</b>	
<p>The CA356 is a USB device cable with a SeaLATCH USB type B connector and standard USB type A connector. The metal thumbscrew on the type B connector provides a secure metal-to-metal connection to devices with SeaLATCH USB ports. This 72 inch cable is included with all Sealevel USB products with an integrated SeaLATCH USB type B port. SeaLATCH USB cables are fully interchangeable with standard USB cables.</p>	
M Series (RS-485)	
<p>No cable is included. Use twisted-pair wiring connected to RS-485 signals via screw terminals on left side of Seal/O module.</p>	
S Series (RS-232)	
<b>Seal/O DB9 Female to RJ45 Adapter (RS-232 Pinout) and CAT5 7' Patch Cable (Blue) (Part# KT119)</b>	
<p>The KT119 includes a modular adapter with a DB9 female connector that plugs directly into any standard DB9 RS-232 serial port and converts it to an RJ45 connection. Designed to easily connect Seal/O RS-232 devices to any standard serial port via standard CAT5 patch cables. The KT119 ships with one DB9 female to RJ45 adapter, Item # DB109, and a 7' CAT5 patch cable, Item # CA246.</p>	
N Series (Expansion)	
<b>Expansion and Strap Kit - for Seal/O (Part# KT122)</b>	
<p>Included with all N-series expansion modules, the KT122 expansion and strap kit has four metal straps, four #4-40 screws, and a CA239 RS-485 interconnect cable. The metal straps allow you to connect a Relio R1100 system and multiple Seal/O modules together in a stack. The CA239 interconnect cable can be used to connect two Seal/O modules together via the RJ45 connectors. This provides an easy method to cascade RS-485 signals, and power and ground from one module to the next. When used in combination with the KT123 flush mount bracket kit, the KT122 expansion and strap kit can be used to mount a stack of Seal/O modules, including a Relio R1100 system, in a variety of mounting positions and locations.</p>	
All Models	
<p>Each Seal/O unit is shipped with 4 adhesive rubber feet that can be attached to the bottom of the enclosure to enhance stability in table mount applications.</p>	

# Introduction

Sealevel Seal/O™ modules offer powerful data acquisition solutions that are perfect for a wide range of applications and environments with easy interfacing to computers, controllers, and PLCs. Seal/O modules are available in various digital, analog, and serial I/O configurations. Each Seal/O model is designed for maximum flexibility and easy field wiring.

Ordering options allow connection to the host device via Wi-Fi, Ethernet, USB, RS-485, or RS-232. Up to 246 expansion modules can be daisy chained together via RS-485 using convenient pass-through connectors.

For easy software integration, application programs or third party software can use the Sealevel SeaMAX™ library or industry standard Modbus TCP (Ethernet & Wireless) and Modbus RTU (RS-232, RS-485, and USB) protocols.

## Industry Segments

Seal/O modules are perfect for a wide variety of applications and environments including:

- Process Control
- Data Acquisition
- Broadcast Automation
- Security
- Facility Management

## Features

- Choice of Connectivity:
  - Wi-Fi
  - Ethernet
  - USB
  - RS-485
  - RS-232
- Supports Industry Standard Modbus TCP & RTU Protocols
- Models Offering Choice of:
  - Optically Isolated Inputs
  - Reed Relay Outputs
  - Form C Relay Outputs
  - Open-collector Outputs
  - TTL Interfaces
  - Analog A/D & D/A
- Status Indicator LEDs for Communication, Fault, and Status
- Field Removable Terminal Block Connectors (most models)
- Daisy Chain up to 247 Modules
- 9-30VDC Power Input
- Power Input via Terminal Block or DC Jack
- Rugged Metal Enclosure
- Din Rail or Table Mount
- Extended Temperature Range Available

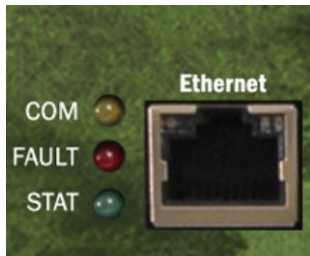
# Seal/O Products in This Manual

## Wireless 802.11b/g/n



- Seal/O-410W – 16 Optically Isolated Inputs/16 Reed Relay Outputs
- Seal/O-420W – 16 Optically Isolated Inputs/8 Form C Outputs
- Seal/O-430W – 32 Optically Isolated Inputs
- Seal/O-440W – 32 Reed Relay Outputs
- Seal/O-450W – 16 Form C Relay Outputs
- Seal/O-462W – 96 Bit TTL I/O (DB-78)
- Seal/O-463W – 96 Bit TTL I/O (50-Pin IDC)
- Seal/O-470W – 8 Inputs/8 Outputs/2 D/A & 16 A/D
- Seal/O-520W – 8 Optically Isolated Inputs/8 High-Current Form C Outputs
- Seal/O-530W – 16 Optically Isolated Inputs/16 High-Current Open Collector Outputs
- Seal/O-540W – 32 High-Current Open Collector Outputs
- Seal/O-570W – 8 Inputs/8 Form C Outputs/8 A/D

## Ethernet 10/100 BaseT



- Seal/O-410E – 16 Optically Isolated Inputs/16 Reed Relay Outputs
- Seal/O-420E – 16 Optically Isolated Inputs/8 Form C Outputs
- Seal/O-430E – 32 Optically Isolated Inputs
- Seal/O-440E – 32 Reed Relay Outputs
- Seal/O-450E – 16 Form C Relay Outputs
- Seal/O-462E – 96 Bit TTL I/O (DB-78)
- Seal/O-463E – 96 Bit TTL I/O (50-Pin IDC)
- Seal/O-470E – 8 Inputs/8 Outputs/2 D/A & 16 A/D
- Seal/O-520E – 8 Optically Isolated Inputs/8 High-Current Form C Outputs
- Seal/O-530E – 16 Optically Isolated Inputs/16 High-Current Open Collector Outputs
- Seal/O-540E – 32 High-Current Open Collector Outputs
- Seal/O-570E – 8 Inputs/8 Form C Outputs/8 A/D
- Seal/O-580E/580PoE – 32 Optically Isolated Dry Contact Inputs

## USB

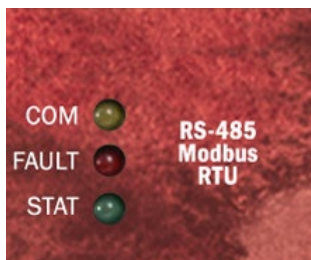


- Seal/O-410U – 16 Optically Isolated Inputs/16 Reed Relay Outputs
- Seal/O-420U – 16 Optically Isolated Inputs/8 Form C Outputs
- Seal/O-430U – 32 Optically Isolated Inputs
- Seal/O-440U – 32 Reed Relay Outputs
- Seal/O-450U – 16 Form C Relay Outputs
- Seal/O-462U – 96 Bit TTL I/O (DB-78)
- Seal/O-463U – 96 Bit TTL I/O (50-Pin IDC)
- Seal/O-470U – 8 Inputs/8 Outputs/2 D/A & 16 A/D
- Seal/O-520U – 8 Optically Isolated Inputs/8 High-Current Form C Outputs
- Seal/O-530U – 16 Optically Isolated Inputs/16 High-Current Open Collector Outputs
- Seal/O-540U – 32 High-Current Open Collector Outputs
- Seal/O-570U – 8 Inputs/8 Form C Outputs/8 A/D



## Seal/O Products in This Manual, Continued

### RS-485



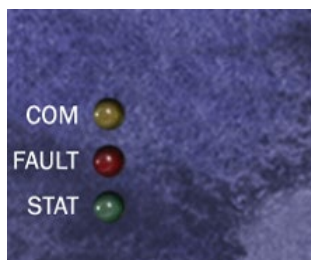
Seal/O-410M – 16 Optically Isolated Inputs/16 Reed Relay Outputs  
Seal/O-420M – 16 Optically Isolated Inputs/8 Form C Outputs  
Seal/O-430M – 32 Optically Isolated Inputs  
Seal/O-440M – 32 Reed Relay Outputs  
Seal/O-450M – 16 Form C Relay Outputs  
Seal/O-462M – 96 Bit TTL I/O (DB-78)  
Seal/O-463M – 96 Bit TTL I/O (50-Pin IDC)  
Seal/O-470M – 8 Inputs/8 Outputs/2 D/A & 16 A/D  
Seal/O-520M – 8 Optically Isolated Inputs/8 High-Current Form C Outputs  
Seal/O-530M – 16 Optically Isolated Inputs/16 High-Current Open Collector Outputs  
Seal/O-540M – 32 High-Current Open Collector Outputs  
Seal/O-570M – 8 Inputs/8 Form C Outputs/8 A/D

### RS-232



Seal/O-410S – 16 Optically Isolated Inputs/16 Reed Relay Outputs  
Seal/O-420S – 16 Optically Isolated Inputs/8 Form C Outputs  
Seal/O-430S – 32 Optically Isolated Inputs  
Seal/O-440S – 32 Reed Relay Outputs  
Seal/O-450S – 16 Form C Relay Outputs  
Seal/O-462S – 96 Bit TTL I/O (DB-78)  
Seal/O-463S – 96 Bit TTL I/O (50-Pin IDC)  
Seal/O-470S – 8 Inputs/8 Outputs/2 D/A & 16 A/D  
Seal/O-520S – 8 Optically Isolated Inputs/8 High-Current Form C Outputs  
Seal/O-530S – 16 Optically Isolated Inputs/16 High-Current Open Collector Outputs  
Seal/O-540S – 32 High-Current Open Collector Outputs  
Seal/O-570S – 8 Inputs/8 Form C Outputs/8 A/D

### Expansion Units (Connect to Base Unit via RS-485)



Seal/O-410N – 16 Optically Isolated Inputs/16 Reed Relay Outputs  
Seal/O-420N – 16 Optically Isolated Inputs/8 Form C Outputs  
Seal/O-430N – 32 Optically Isolated Inputs  
Seal/O-440N – 32 Reed Relay Outputs  
Seal/O-450N – 16 Form C Relay Outputs  
Seal/O-462N – 96 Bit TTL I/O (DB-78)  
Seal/O-463N – 96 Bit TTL I/O (50-Pin IDC)  
Seal/O-470N – 8 Inputs/8 Outputs/2 D/A & 16 A/D  
Seal/O-520N – 8 Optically Isolated Inputs/8 High-Current Form C Outputs  
Seal/O-530N – 16 Optically Isolated Inputs/16 High-Current Open Collector Outputs  
Seal/O-540N – 32 High-Current Open Collector Outputs  
Seal/O-570N – 8 Inputs/8 Form C Outputs/8 A/D

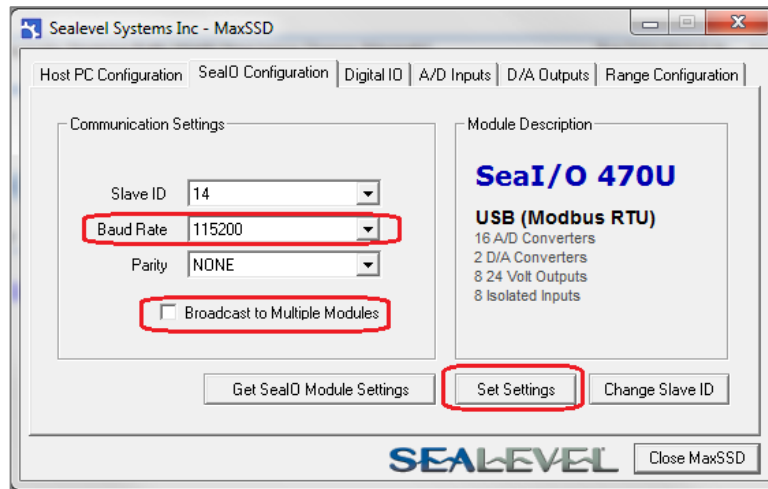
## Maximizing Performance

All Seal/O modules have a default baud rate of 9600. If lower latencies are required, the baud rate can be changed via the Sealevel utility, MaxSSD, included in your SeaMAX installation.



All items can be purchased from our website ([www.sealevel.com](http://www.sealevel.com)) or by calling our sales team at +1 (864) 843-4343.

To change the baud rate, connect to a Seal/O module using MaxSSD. If you need to change the baud rate of multiple devices, check the “Broadcast to Multiple Modules” box. Select the desired baud rate from the baud rate dropdown and click “Set Settings.” If you are connected to the modules via a COM port, you will need to reopen the COM port with the new baud rate.



## Example timing values

Seal/O-470

Baud rate: 9600

Reading 8 Digital Inputs Average Time: 32.00ms

Writing 8 Digital Outputs – OFF state Average Time: 32.00ms

Writing 8 Digital Outputs – ON state Average Time: 32.00ms

Reading 16 Analog-to-Digital Converters Average Time: 48.01ms

Writing to 2 Digital-to-Analog Outputs Average Time: 32.00ms

Seal/O-470

Baud rate: 115200

Reading 8 Digital Inputs Average Time: 15.57ms

Writing 8 Digital Outputs – OFF state Average Time: 15.92ms

Writing 8 Digital Outputs – ON state Average Time: 16.21ms

Reading 16 Analog-to-Digital Converters Average Time: 16.25ms

Writing to 2 Digital-to-Analog Outputs Average Time: 16.26ms



Higher baud rates are more susceptible to electrical line noise. If you find that you are receiving erroneous results, try lowering the baud rate or shortening your cables.

# Seal/O Hardware Description

## Seal/O Base and Expansion Modules

Base Modules connect to the host via one of the following interfaces:

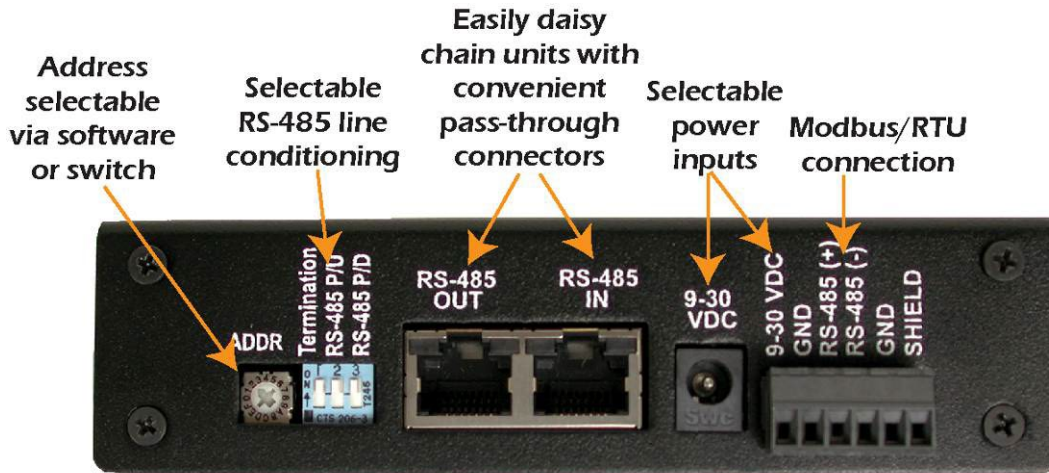
- Wireless Gateway – Wireless Modbus TCP
- W-Series – Wireless Modbus TCP
- E-Series - Ethernet Modbus TCP
- U-Series - USB Modbus RTU
- M-Series - RS-485 Modbus RTU
- S-Series - RS-232 Modbus RTU

After the base unit is installed, up to 246 additional Seal/O N-Series Expansion Units can be added to create an I/O network. These expansion modules interface via RS-485 and can be located local to the Base Seal/O device or remotely located up to 4000 feet away. Local installations should use the 5" CAT5 RS-485 pass-through cable (Part# CA239) shipped with each N-series module to connect. Remote expansion modules should use RS-485 twisted pair wiring from the base unit connected via the removable screw terminal connector.

For local installations, power to the expansion modules is supplied from the Base unit via the pass-through connectors. For remote devices, separate power is required at each expansion unit. Refer to the *Power Options* section of this manual for more information on Seal/O power requirements and power supply sizing.

## Seal/O Module Common Features

All Seal/O modules include the same connectors and configuration options on the side of the unit:

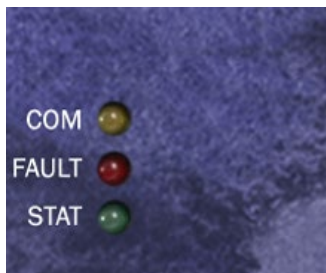


RS-485 networks should have termination enabled on each end of the network. Pull-up and pull-down resistors should also be enabled on the last device on the network. The 9-30VDC input barrel connector is center positive

Status LEDs are also included on the front of all Seal/O modules to indicate the following information:

- **Communication (Yellow)** – Blinks when data is transmitted
- **Fault (Red)** – Lights when there is a problem with the device
- **Status (Green)** – See *Device Address Configuration* section of this manual

Blinks when the rotary “ADDR” switch is set to “0” and the default Slave ID is set to 247  
Lights steady when module is properly configured from the factory defaults



# Seal/O Configurations & Specifications

## Seal/O Wireless Specifications

All wireless Wi-Fi Seal/O modules share a common networking engine. This subsystem is comprised of a wireless MCU module that integrates an ARM Cortex-M4 MCU and includes an 802.11 b/g/n radio, baseband, and MAC with a powerful crypto engine for fast, secure Internet connections with 256-bit encryption. It supports Infrastructure and access point modes and supports WPA2 personal security. The engine includes embedded TCP/IP and TLS/SSL stacks, HTTP server, and multiple Internet protocols.

<b>Standards</b>	2.4 GHz IEEE 802.11b/g/n WLAN
<b>Channels</b>	1–11
<b>Frequency Range</b>	2.412 – 2.484 GHz
<b>TX Power</b>	17 dBm at 1 DSSS 17.25 dBm at 11 CCK 13.5 dBm at 54 OFDM
<b>RX Sensitivity</b>	–94.7 dBm at 1 DSSS –87 dBm at 11 CCK –73 dBm at 54 OFDM
<b>Application Throughput</b>	UDP: 16 Mbps TCP: 13 Mbps
<b>Range</b>	300' line-of-sight (with no obstructions or interference)
<b>WLAN</b>	2.4 GHz IEEE 802.11b/g/n WLAN Supported Protocols: Modbus/TCP, TCP/IP, UDP, DHCP, and HTTP TCP/IP Stack Infrastructure and Access Point Modes Powerful Crypto Engine for Fast, Secured WLAN Connections with 256-Bit Encryption WEP, WPA1 and WPA2 Personal and Enterprise Security

## Antenna Considerations

The wireless device ships with an approved Wi-Fi antenna. Using a different antenna is not supported and it may invalidate regulatory certification.

## 410 Series – 16 Optically Isolated Inputs/16 Reed Relay Outputs

Seal/O-410 modules provide 16 optically isolated inputs and 16 Reed relay outputs. Inputs can range from 5-30VDC, while the Reed relays provide long life switch closures that are well suited for low current applications. Inputs and outputs are grouped into four-bit segments. Each group shares a common for easy wiring via removable 3.5mm terminal blocks.



Ethernet Interface Shown

Inputs	
Type	16 non-polarized optically isolated inputs
Voltage Range	5-30VDC
Isolation	1250VAC RMS / 1800VDC
Input Resistance	6.2K Ohms in series
Response Time	4 microseconds
Outputs	
Type	16 SPST Form A Reed relays
Power	10VA max.
Contact Voltage	60VDC max. / 50VAC max.
Contact Current	500mA max.
Operate Time	0.5ms max.
Bounce Time	0.5ms max.
Release Time	0.2ms max.

## 420 Series – 16 Optically Isolated Inputs/8 Form C Outputs

The Seal/O-420 provides 16 optically isolated inputs and 8 SPDT Form C relay outputs. Inputs can range from 5-30VDC and provide 2500VAC RMS / 3500VDC isolation to ground. Each output offers normally open and normally closed contact connections via 3.5mm field removable terminal blocks.

### USE EXTREME CAUTION!



High voltages will be present on the Seal/O family of products when high voltage is connected. Never handle the printed circuit board when high voltage is connected. Never handle the printed circuit board when high voltage signals are connected to the board.



USB Interface Shown

Inputs	
Type	16 non-polarized optically isolated inputs
Voltage Range	5-30VDC
Isolation	1250VAC RMS / 1800VDC
Input Resistance	6.2K Ohms in series
Response Time	4 microseconds
Outputs	
Type	8 SPDT Form C relays
Power	DC 30W / AC 60 VA
Contact Voltage	60VDC max. / 50VAC max.
Contact Current	2A max.
Operate Time	2ms max.
Bounce Time	7ms max.
Release Time	1ms max.

## 430 Series – 32 Optically Isolated Inputs

Seal/O-430 modules provide 32 optically isolated inputs with 2500VAC RMS / 3500VDC external isolation and high channel-to-channel isolation. Ideal for low voltage monitoring applications, connection to real world signals is made via convenient 3.5mm field removable screw terminal connectors.



Inputs	
Type	32 non-polarized optically isolated inputs
Voltage Range	5-30VDC
Isolation	1250VAC RMS / 1800VDC
Input Resistance	6.2K Ohms in series
Response Time	4 microseconds



## 440 Series – 32 Reed Relay Outputs

The Seal/O-440 provides 32 SPST Form A dry-contact Reed relays. Reed relays offer long life performance and fast response time. Convenient removable 3.5mm screw terminal blocks compatible with 14-22 AWG wiring allow reliable connection to real world I/O.

### USE EXTREME CAUTION!



High voltages will be present on the Seal/O family of products when high voltage is connected. Never handle the printed circuit board when high voltage is connected. Never handle the printed circuit board when high voltage signals are connected to the board.



RS-485 Interface Shown

Outputs	
Type	32 SPST Form A Reed relays
Power	10VA max.
Contact Voltage	60VDC max. / 50VAC max.
Contact Current	500mA max.
Operate Time	0.5ms max.
Bounce Time	0.5ms max.
Release Time	0.2ms max.

## 450 Series – 16 Form C Relay Outputs

Control a variety of low voltage, low current devices with the Seal/O-450. The module's 16 channels of highly reliable SPDT Form C relay outputs are rated for up to 60VDC @ 2A. Each output offers normally-open and normally-closed contact connections via 3.5mm field removable terminal blocks.



### USE EXTREME CAUTION!

High voltages will be present on the Seal/O family of products when high voltage is connected. Never handle the printed circuit board when high voltage is connected. Never handle the printed circuit board when high voltage signals are connected to the board.



Ethernet Interface Shown

Outputs	
Type	16 SPDT Form C relays
Power	DC 30W/ AC 60 VA
Contact Voltage	60VDC max. / 50VAC max.
Contact Current	2A max.
Operate Time	2ms max.
Bounce Time	7ms max.
Release Time	1ms max.

## 462 Series – 96 Channel TTL DB-78

Perfect for driving industry-standard solid-state relay (SSR) racks, the Seal/O-462 provides 96 bits of buffered drive TTL I/O. Each DB-78 connector brings out 48 I/O bits addressable as six, eight-bit ports. For easy connection to relay racks, Sealevel offers a six-foot cable (Part# CA237) that terminates each DB-78 connector to two industry standard 50-pin IDC connectors. Order part number 462x-KT and receive two CA237 cables with each unit.

The Seal/O-462 uses 74ABT245 octal bi-directional transceivers to provide TTL input/output capabilities and can sink 64mA and source 32mA. Each bit is pulled to +5V through a 10K ohm pull-up resistor to ensure each bit is at a known state when not driven.



Power Requirements		
Max Output Power		+5VDC @ 1A (5W)
Inputs		
Logic High		Max 0.8VDC
Logic Low		Min 2VDC
Outputs		
Logic High		Max 0.5VDC @ 64mA
Logic Low		Min 2VDC @ 32mA



The Seal/O-462 modules are designed to work with industry standard solid-state relay racks that expect negative logic to operate. The Seal/O-462 modules expect negative logic on the inputs.

## Seal/O-462 Optional Items

Depending upon your application, you are likely to find one or more of the following items useful for interfacing the Seal/O-462 to real-world signals. All items can be purchased from our website ([www.sealevel.com](http://www.sealevel.com)) or by calling 864-843-4343.

### DB78 Male to (2) IDC 50-Pin Ribbon Connectors (Part# CA237)

The CA237 cable connects to Seal/O TTL modules with a DB78 female connector and splits out to dual industry standard IDC 50-pin ribbon connectors. Perfect for interfacing Seal/O TTL modules to industry standard relay racks where a jacketed cable is preferred over a ribbon cable. Each leg of the CA237 is six feet in length.



### Terminal Block Kit – 50 Pin Header to Screw Terminals (Part# TB07-KT)

The TB07-KT allows you to break out digital TTL signals, +5 volts, and ground to screw terminals for easy field connection of switches, discrete solid state relays, sensors, etc. The TB07-KT ships with a terminal block, a 6" piece of slotted Snap Track, and two DIN-rail mounting clips.



## 463 Series – 96 Channel TTL 50-Pin

The Seal/O-463 offers 96 bits of buffered drive TTL I/O via four internal industry-standard 50-pin header connectors. The interface module addresses the 96 channels of I/O as 12 eight-bit ports, each programmable as input or output. Using standard 50-pin IDC ribbon cables, connect up to four industry standard relay racks for PC based control and automation of equipment including sensors, switches, security control systems, and other industrial automation systems. A metal strain relief bracket is included to secure the cables after installation.

The Seal/O-463 uses 74ABT245 octal bi-directional transceivers to provide TTL input/output capabilities and can sink 64mA and source 32mA. Each bit is pulled to +5V through a 10K ohm pull-up resistor to ensure each bit is at a known state when not driven.



Expansion Interface Shown

Power Requirements	
Max Output Power	+5VDC @ 1A (5W)
Inputs	
Logic High	Max 0.8VDC
Logic Low	Min 2VDC
Outputs *	
Logic High	Max 0.5VDC @ 64mA
Logic Low	Min 2VDC @ 32mA



The Seal/O-463 modules are designed to work with industry standard solid-state relay racks that expect negative logic to operate. The Seal/O-463 modules expect negative logic on the inputs.

## Seal/O-463 Optional Items

Depending upon your application, you are likely to find one or more of the following items useful for interfacing the Seal/O-463 to real-world signals. All items can be purchased from our website ([www.sealevel.com](http://www.sealevel.com)) or by calling +1 (864) 843-4343.

<b>Terminal Block Kit - TB07 + CA167 Cable (Part# KT107)</b>	
<p>The KT107 facilitates field wiring for applications requiring connections other than to relay racks. The KT107 kit includes the TB07 terminal block and CA167 ribbon cable. A 6" section of Snap track and DIN rail clips are included for DIN rail mounting.</p>	
<b>50-Pin IDC to 50-Pin IDC Ribbon Cable (Part# CA167)</b>	
<p>50-Pin IDC to 50-Pin IDC Ribbon Cable, 40 in Length. Use the CA167 to connect Sealevel TTL devices to solid-state relay racks.</p>	
<b>50-Pin IDC to 50-Pin Edge Connector Cable (Part# CA135)</b>	
<p>50-Pin IDC to 50-Pin Edge Connector Ribbon Cable, 40 in Length. Use the CA135 to connect Sealevel TTL devices to solid-state relay racks with a 50-pin edge connector.</p>	

# Seal/O-462/463 Accessories

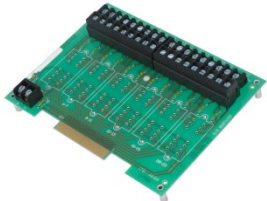
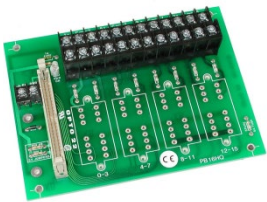

The following accessories are suitable for use with both the Seal/O-462 and Seal/O-463 modules.



### USE EXTREME CAUTION!

High voltages will be present on the Seal/O family of products when high voltage is connected. Never handle the printed circuit board when high voltage is connected. Never handle the printed circuit board when high voltage signals are connected to the board.

## Quad Solid-State I/O Racks and Modules

<p><b>Quad 6-Position 24-Channel I/O Rack (Part# PB24HQ)</b></p> <p>The PB24HQ I/O rack can be used with up to six quad I/O modules, including input modules, output relays, override relays, watchdog timers, and mechanical relays. On the signal side, it features a 50-pin edge connector for easy interface via standard IDC ribbon cables. Terminal blocks accept insulated wire with stripped ends or ferrules. Each power side point is individually isolated from each other.</p> <p><b>N</b> Seal/O-463 only. Use CA135 cable for interfacing.</p>	
<p><b>Quad 4-Position 16-Channel I/O Rack (Part# PB16HQ)</b></p> <p>The PB16HQ I/O rack can be used with up to four quad I/O modules, including input modules, output relays, override relays, watchdog timers, and mechanical relays. On the signal side, it features a 50-pin header connector for easy interface via standard IDC ribbon cables. Terminal blocks accept insulated wire with stripped ends or ferrules. Each power side point is individually isolated from each other.</p>	
<p><b>Quad AC/DC Input Module (Part# IA5Q)</b></p> <p>The IA5Q provides four discrete inputs that accept input voltages from 90 to 140V AC/DC with a nominal input voltage of 120V AC/DC. The module includes an LED for each input for status indication.</p>	

## Seal/O-462/463 Accessories, Continued

### Quad DC Input Module (Part# IB5Q)

The IB5Q provides four discrete inputs that accept input voltages from 3.3VDC to 32VDC with a nominal input voltage of 24VDC. The module includes an LED for each input for status indication.



### Quad AC Output Module (Part# OA5Q)

The OA5Q provides four discrete outputs capable of switching voltages from 12 to 140V AC with a nominal switching voltage of 120VAC. The maximum on-state current is 3A and should be derated 40mA/deg. above 20C. Each output includes an LED for status indication.



### Quad DC Output Module (Part# OB5Q)

The OB5Q provides four discrete outputs capable of switching voltages from 3 to 60V DC with a nominal switching voltage of 24VDC. The maximum on-state current is 3A and should be derated 40mA/deg. above 20C. Each output includes an LED for status indication.





# Discrete Solid-State I/O Racks and Modules

<p><b>Discrete 8-Position I/O Rack (Part# PB8HS)</b></p> <p>The PB8HS I/O rack can be used with up to eight discrete I/O modules, including input modules, output relays, override relays, watchdog timers, and mechanical relays. On the signal side, it features a 50-pin header connector for easy interface via standard IDC ribbon cables. Terminal blocks accept insulated wire with stripped ends or ferrules. Each power side point is individually isolated from each other.</p>	
<p><b>Discrete 16-Position I/O Rack (Part# PB16HS)</b></p> <p>The PB16HS I/O rack can be used with up to sixteen discrete I/O modules, including input modules, output relays, override relays, watchdog timers, and mechanical relays. On the signal side, it features a 50-pin header connector for easy interface via standard IDC ribbon cables. Terminal blocks accept insulated wire with stripped ends or ferrules. Each power side point is individually isolated from each other.</p>	
<p><b>Discrete 24-Position I/O Rack (Part# PB24HS)</b></p> <p>The PB24HS I/O rack can be used with up to twenty-four discrete I/O modules, including input modules, output relays, override relays, watchdog timers, and mechanical relays. On the signal side, it features a 50-pin header connector for easy interface via standard IDC ribbon cables. Terminal blocks accept insulated wire with stripped ends or ferrules. Each power side point is individually isolated from each other.</p>	
<p><b>Single Point Discrete AC/DC Input Module (Part# IA5S)</b></p> <p>The IA5S provides a discrete input that accepts input voltages from 90 to 140V AC/DC with a nominal input voltage of 120V AC/DC. The module includes an LED for status indication.</p>	

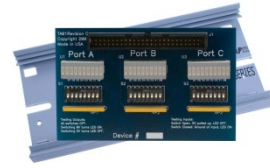
# Discrete Solid-State I/O Racks and Modules, Continued

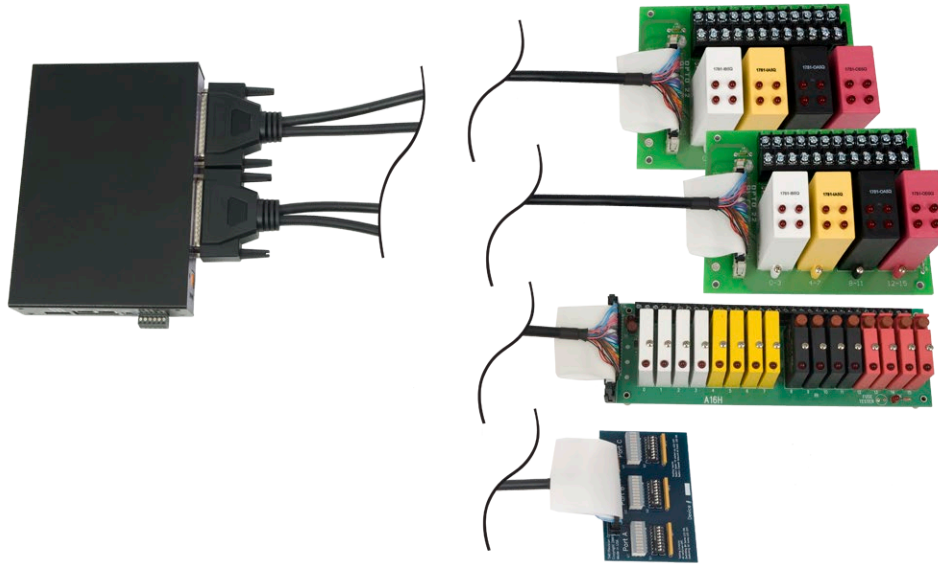
Single Point Discrete DC Input Module (Part# IB5S)	
<p>The IB5S provides a discrete input that accepts input voltages from 3.3VDC to 32VDC with a nominal input voltage of 24VDC. The module includes an LED for status indication.</p>	 A white rectangular module with a red LED indicator on the top right. The label on the front reads: WRC4-IB5S, 3.3-32 V dc INPUT, 5 V dc Logic, MADE IN USA. It also features CE and UL logos.
Single Point Discrete AC/DC Input Module (Part# IN5S)	
<p>The IN5S provides a discrete input that accepts input voltages from 10 to 60V AC/DC with a nominal input voltage of 24V AC/DC. The module includes an LED for status indication.</p>	 A white rectangular module with a red LED indicator on the top right. The label on the front reads: WRC4-IN5S, 10-60 V ac/dc INPUT, 5 V dc Logic, MADE IN USA. It also features CE and UL logos.
Single Point Discrete AC Output Module (Part# OA5S)	
<p>The OA5S provides a discrete output capable of switching voltages from 12 to 140V AC with a nominal switching voltage of 120VAC. The maximum on-state current is 3A and should be derated 33mA/deg. above 25C. The output is fused at 4A and an LED is included for status indication.</p>	 A black rectangular module with a red LED indicator on the top right. The label on the front reads: WRC4-OA5S, 12-140 V ac, 3A OUTPUT, 5 V dc Logic, MADE IN USA. It also features CE and UL logos.
Single Point Discrete DC Output Module (Part# OB5S)	
<p>The OB5S provides a discrete output capable of switching voltages from 3 to 60V DC with a nominal switching voltage of 24VDC. The maximum on-state current is 3A and should be derated 33mA/deg. above 60C. The output is fused at 4A and an LED is included for status indication.</p>	 A red rectangular module with a red LED indicator on the top right. The label on the front reads: WRC4-OB5S, 3-60 V dc, 3 A, 5 V dc Logic, MADE IN USA. It also features CE and UL logos.

## I/O Simulation and Application Debugging

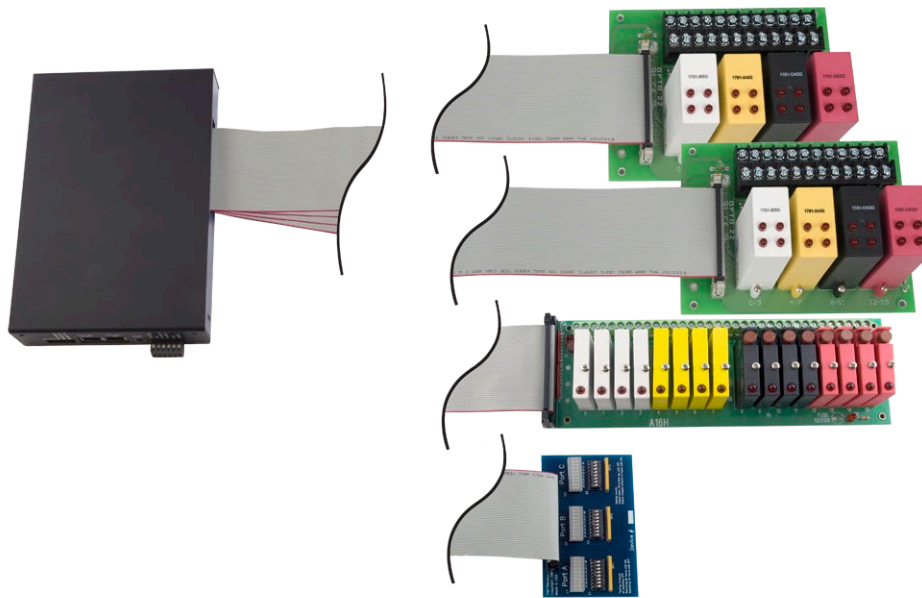
### Terminal Block - 50-Pin Header - I/O Rack Simulation Module (Part# TA01)

The TA01 terminal block was developed to fully simulate the operation and load characteristics of any industry standard 24 channel relay rack. An LED block is included for each 8 bit port. An LED corresponding to each port bit illuminates when the simulated relay is energized. 8 position DIP switches are used to generate input status changes. By using the TA01, control programs can be debugged before going live on site to guarantee a successful installation. The TA01 can be used with Sealevel 24, 48, and 96 Channel TTL Digital I/O products. Includes TA01 Terminal Block and ST101 Snap Track.





**Figure 1 - Seal/O-462 connected to relay racks and a terminal adapter via (2) CA237 cables**



**Figure 2 - Seal/O-463 connected to relay racks and a terminal adapter via (4) CA167 cables**

## 470 Series – 16 A/D, 2 D/A, 8 24V Outputs, 8 Isolated Inputs

Designed using the Maxim MAX197 successive approximation-type A/D chip, the Seal/O-470 provides eight differential or 16 single-ended 12-bit inputs. The A/D inputs can be individually configured for sensing 4-20mA current loop signals. Additionally, the module provides two 12-bit D/A output channels, eight optically isolated inputs, and eight open-collector outputs, ideal for driving 24V devices commonly found in industrial environments. Perfect for a variety of data acquisition/control and test & measurement applications, the Seal/O-470 includes removable screw terminals, which simplify field-wiring connections.

### USE EXTREME CAUTION!



High voltages will be present on the Seal/O family of products when high voltage is connected. Never handle the printed circuit board when high voltage is connected. Never handle the printed circuit board when high voltage signals are connected to the board.



RS-232 Interface Shown

Optically Isolated Inputs	
Type	8 non-polarized optically isolated inputs
Voltage Range	5-30VDC
Isolation	2500VAC RMS / 3500VDC
Input Resistance	6.2K Ohms in series
Response Time	4 microseconds
Open-collector Outputs	
Output Voltage	Max. 30VDC
Output Current	Max. 500mA (single output)
Output Current	Max. 580mA (all outputs)

## 470 Series – 16 A/D, 2 D/A, 8 24V Outputs, 8 Isolated Inputs, Continued

A/D Inputs	
Number of Channels	8 differential or 16 single-ended
Resolution	12-bits
Sampling Rate	100K/s
A/D Input Range	
Software Selectable	0-5V, 0-10V, +/-5V, +/-10V
Hardware Selectable	0-20mA current loop (for 4-20mA devices)
D/A Outputs	
Number of Channels	2 single-ended
Resolution	12-bits
Output Range	0-5V, 0-10V
Load Resistance	Min. 2K

## 520 Series – 8 Optically Isolated Inputs/8 High-Current Form C Outputs

The Seal/O-520 provides 8 optically isolated inputs and 8 SPDT high-current Form C relay outputs. Inputs can range from 5-30VDC and provide 2500VAC RMS / 3500VDC isolation to ground. Each output offers normally open and normally closed contact connections via 3.5mm field removable terminal blocks.



Wireless Interface Shown

Inputs	
Type	8 non-polarized optically isolated inputs
Power	
Voltage Range	5-30VDC
Isolation	2500VAC RMS / 3500VDC
Input Resistance	6.2K Ohms in series
Response Time	4 microseconds
Outputs	
Type	8 SPDT High-Current Form C relays
Contact Voltage	250VAC/30VDC max.
Contact Current (AC)	6A max.
Contact Current (DC)	<30 VDC @5A max
Switching Capacity	5 VDC @ 100mA min.
Operate Time	10ms max.
Release Time	10ms max.

## 530 Series – 16 Optically Isolated Inputs/16 Open-collector Outputs

The Seal/O-530 provides 16 optically isolated inputs and 16 open-collector outputs. Inputs provide a range from 5-30VDC. Inputs are grouped into four-bit segments. Each group shares a common for easy wiring via removable 3.5mm terminal blocks. Each open-collector output circuit includes a flyback diode for protection when interfacing highly inductive loads, such as DC motors. Outputs are grouped into two eight-bit ports which share high and low voltage inputs.



### USE EXTREME CAUTION!

High voltages will be present on the Seal/O family of products when high voltage is connected. Never handle the printed circuit board when high voltage is connected. Never handle the printed circuit board when high voltage signals are connected to the board.



USB Interface Shown

Inputs	
Type	16 non-polarized optically isolated inputs
Voltage Range	5-30VDC
Isolation	2500VAC RMS / 3500VDC
Input Resistance	6.2K Ohms in series
Response Time	4 microseconds
Outputs	
Type	16 High-Current Open-collector Outputs
Isolation	2500VAC RMS / 3500VDC
Power	DC 60W max.
Contact Voltage	60VDC max.
Contact Current	1000mA max. (single output)
Contact Current	2000mA max. (all outputs per port)
Operating Temperature	-25°C to +85°C (-13°F to 185°F)
Humidity	10% to 90% RH (non-condensing)



## 540 Series – 32 Open-collector Outputs

The Seal/O-540 provides 32 open-collector outputs. Each open-collector output circuit includes a flyback diode for protection when interfacing highly inductive loads, such as DC motors. Outputs are grouped into four eight-bit ports which share high and low voltage contacts via 3.5mm terminal blocks.

### USE EXTREME CAUTION!



High voltages will be present on the Seal/O family of products when high voltage is connected. Never handle the printed circuit board when high voltage is connected. Never handle the printed circuit board when high voltage signals are connected to the board.



RS-485 Interface Shown

Outputs	
Type	32 High-Current Open-collector Outputs
Isolation	2500VAC RMS / 3500VDC
Power	DC 60W max.
Contact Voltage	60VDC max.
Contact Current	1000mA max. (single output)
Contact Current	2000mA max. (all outputs per port)
Environmental	
Operating Temperature	-25°C to +85°C (-13°F to 185°F)
Humidity	10% to 90% RH (non-condensing)

# 570 Series – 8 A/D Inputs, 8 Form C, Outputs, 8 Isolated Digital Inputs

Designed using the Linear Technology LTC1867 A/D chip, the [Seal/O-570](#) provides eight single-ended 16-bit inputs. Additionally, the module provides eight optically isolated inputs, and eight form C relay outputs. Perfect for a variety of data acquisition/control and test & measurement applications, the Seal/O-570 includes removable screw terminals, which simplify field-wiring connections.



Ethernet Interface Shown

Optically Isolated Inputs	
Type	8
Voltage Range	5-30VDC
Isolation	2500VAC RMS / 3500VDC
Input Resistance	6.2K Ohms in series
Response Time	4 microseconds
Form C Relay Outputs	
Number of Outputs	8
Contact Rating	1A @ 24VDC
Maximum Switching Power	24W
Maximum Switching Voltage	30VDC
Maximum Carrying Current	2A
Operate Time	5mS max.
Release Time	5mS max.

## 570 Series – 8 A/D Inputs, 8 Form C, Outputs, 8 Isolated Digital Inputs, Continued

A/D Inputs	
Number of Channels	8 single-ended
Resolution	16-bits
Sampling Rate	200K/s
Thermistor Input Mode	Biassing via onboard selectable dip switch
A/D Input Range	
Software Selectable Input Configuration	<p>Two Analog Input Ranges</p> <ul style="list-style-type: none"> <li>• +/-5V (Default), +/-15V</li> </ul> <p>Two Analog Reference Selections</p> <ul style="list-style-type: none"> <li>• Floating/Non-referenced (Default) or Ground Referenced</li> </ul> <p>The analog input modes and additional settings can be configured and verified via Sealevel SeaMAX software, which includes the SeaMAX API, MaxSSD utility, and Modbus support.”</p>
Input Impedance	> 15M ohms
Input Modes	<p><i>Bipolar</i> – Analog input driven within voltage range above and below COM while it is held at a fixed reference. The signal is amplified across the full scale input of the A to D controller.</p> <p><i>Unipolar</i> – Analog input driven within voltage range while COM is held at a fixed reference. The signal is amplified across ½ full scale of the A to D controller.</p>
Power	
Power Input	9-30VDC via screw terminal, barrel plug, or Seal/O expansion RJ-45
Expansion Power	9-30VDC available via Seal/O expansion RJ-45 connectors for I/O expansion
Environmental	
Operating Temperature	-20°C to +70°C (-4°F to 160°F)
Humidity	10% to 90% RH (non-condensing)
Mechanical	
Dimensions	7.61"W X 1.375"H X 5.08"D

## 580 Series –32 Optically Isolated Dry Contact Inputs

Seal/O-580 modules provide 32 optically isolated dry contact inputs with 1500VAC RMS. Use the 580 to detect contact between two externally wired field contact points. The 580 is ideal for no voltage monitoring applications (alarm relays, HVAC controls, relays, de-mux boards, and control systems) where dry contacts are used to indicate an Alarm condition, the rotation direction of a motor, etc.. Connection to real world signals is made via convenient 3.5mm field removable screw terminal connectors.



Inputs	
Type	32 non-polarized optically isolated dry contact inputs
Isolation	1500VAC RMS
Power	
Power Input	9-30VDC via screw terminal, barrel plug, or Seal/O expansion RJ-45
Expansion Power	9-30VDC available via Seal/O expansion RJ-45 connectors for I/O expansion
Environmental	
Operating Temperature	-40°C to +85°C (-40°F to 185°F)
Humidity	10% to 90% RH (non-condensing)
Mechanical	
Dimensions	7.61"W X 1.375"H X 5.08"D



Dry Contact (no-voltage) Inputs detect a contact closure between two externally wired connections. The Common terminals are all connected to one isolated ground on the 580E/580PoE board.

## 580PoE

The 580 differs from other Seal/O modules in that it is provided in both E (Ethernet) and PoE (Power over Ethernet) versions. The 580PoE is powered through the Ethernet port by a PoE switch that conforms to the Power over Ethernet IEEE 802.3af standard.



In addition to using power from the Ethernet connection to power the 580, this power is made available to the expansion connector to power additional Seal/O modules (See Power Options section of this manual). The 580PoE provides up to 7W to the expansion connector. This equates to 24V @ 291.7 mA, a little more than the Sealevel TR112 power supply.

# Power Options

## Base Module Power Connection

Base modules are powered from a 9-30VDC source using either the DC jack, screw terminals or the Expansion pass-through connectors on the side of the unit. Sealevel offers several power supply choices to make connection easy (see the Accessories chapter at the end of this document).

## Seal/O Expansion Power Connection

Each Seal/O product, including the expansion modules, contains an onboard switching regulator power supply rated for 9-30VDC. For local installations (less than 10' apart), expansion unit power is usually supplied from the Base unit via the pass-through connectors. The number of expansion modules that can be driven from the Base unit depends on the power source and number/type of expansion units. Refer to the chart below for power requirements. For expansion modules mounted remotely (greater than 10' apart), separate power is required at each expansion unit. The output power available on the pass-through connector can only supply a maximum of 1.2A to the additional units.



Supply power for expansion unites that are daisy-chained together should only have a single connection to an external power supply made by only one expansion unit.

## Seal/O Max Power Requirements

	W-Series	E-Series	U-Series	M-Series	S-Series	N-Series
Seal/O-410	3.4W	2.9W	1.7W	1.4W	1.6W	1.4W
Seal/O-420	4.0W	3.5W	2.3W	2.0W	2.2W	2.0W
Seal/O-430	2.4W	1.9W	0.7W	0.4W	0.6W	0.4W
Seal/O-440	4.5W	4.0W	2.8W	2.5W	2.7W	2.5W
Seal/O-450	5.8W	5.3W	4.1W	3.8W	4.0W	3.8W
Seal/O-470	3.5W	3.0W	1.8W	1.5W	1.7W	1.5W
Seal/O-520	5.5W	5.0W	3.8W	3.5W	3.7W	3.5W
Seal/O-530	3.4W	2.9W	1.7W	1.4W	1.6W	1.4W
Seal/O-540	3.9W	3.4W	2.2W	1.9W	2.1W	1.9W
Seal/O-570	4.3W	3.8W	2.6W	2.3W	2.5W	2.3W
Seal/O-580	-	5.0W	-	-	-	-
Seal/O-580PoE	-	5.0W	-	-	-	-

## TTL Power Requirements

	W-Series	E-Series	U-Series	M-Series	S-Series	N-Series
Seal/O-462	2.5W	2.0W	0.8W	0.5W	0.7W	0.5W
Seal/O-463	2.5W	2.0W	0.8W	0.5W	0.7W	0.5W

## Sample Power Calculation

A typical application for Seal/O products would use one Base module and several N-series units in a local expansion configuration. In this arrangement, with power applied to the Base module through either the DC jack or screw terminal connector and passed-through to the expansion units, attention should be given to ensure the input power to the Base module is adequate.

Example		
Power (W)		
Base Unit	Seal/O-430U	0.7
Expansion 1	Seal/O-410N	1.4
Expansion 2	Seal/O-440N	2.5
4.6W Power Required		

In this application, Sealevel's Part# TR112 "wall wart" power supply is a good choice since it is low-cost and supplies 24VDC @ 250mA (6W).



A complete listing of recommended power supplies is provided in the Accessories section of this manual.

# SeaMAX Application Suite

## SeaMAX Overview

The [SeaMAX Suite](#) is a collection of configuration/diagnostic utilities and software libraries that enable rapid application development. The SeaMAX API, included in the SeaMAX Suite, provides a common API for Sealevel SeaCONNECT, Seal/O, eI/O and SeaDAC data acquisition modules. SeaMAX is designed to simplify application development by requiring little knowledge of the underlying communication protocols of these devices and replacing low-level programming. SeaMAX is available in an unmanaged library and a wrapper library that provides an interface to the API from managed code.

The following libraries and utilities are included in the SeaMAX Suite and are covered in this chapter:

- MaxSSD Configuration & Diagnostics utility
- Ethernet Config utility
- SeaMAX API
- SeaMAX .NET API

The SeaMAX API documentation, installed with SeaMAX, explains the usage and API references, including function calls and enumerations. Sealevel digital and analog I/O modules supported by SeaMAX software are designed to work with third party applications via the SeaMAX API. To help simplify application development, the complete API documentation and code samples are automatically installed with the SeaMAX Suite and can be found in Windows by clicking Start → All Programs → Sealevel SeaMAX → Documentation. Example code is also included for several popular languages and compilers. For convenience, Sealevel offers an online version of the SeaMAX API documentation at <https://www.sealevel.com/seamax-api-documentation>.

Please contact Sealevel technical support with any questions regarding SeaMAX documentation:

Phone : (864) 843-4343

Email : [support@sealevel.com](mailto:support@sealevel.com)

## Communicating Via Modbus

Sealevel Seal/O modules are designed to integrate seamlessly into existing Modbus networks. The supported command set will vary depending on the Seal/O model number used. Specialized diagnostic commands and other RTU specific codes are not supported. An overview of the Modbus specification for both RTU and TCP connections is covered in detail in the interactive documentation located on the Sealevel website at <http://www.sealevel.com/software/SeaMAX/>.

The official Modbus specification can be found at <https://www.modbus.com/>.



This chapter covers all SeaMAX supported devices. Not all features are applicable to all devices.



## SeaMAX Software Installation

Once SeaMax software is installed on your host PC you can proceed with configuring your device. You will need the tools installed during the configuration process. Configuration information may be found in the section [Hardware Configuration](#).



Do not install the Adapter in the machine until the software has been fully installed.



Only users running Windows 7 or newer should utilize these instructions for accessing and installing the appropriate driver via Sealevel's website. If you are utilizing an operating system prior to Windows 7, please contact Sealevel by calling 864-843-4343 or emailing [support@sealevel.com](mailto:support@sealevel.com) to receive access to the proper driver download and installation instructions.



Do not connect the I/O module to the host until the software is installed.



To install Sealevel Systems software, you must log in as an administrator or have administrator privileges in Windows.

## Instructions for Downloaded Software Installation

1. To obtain the most current software package from Sealevel's website, download from here:
  - [SeaMAX for Windows](#)
  - [SeaMAX for Linux](#)
2. Choose the link for the target operating system and click on the 'Download File' link to download the current version.
3. Once downloaded, if you are using Windows 7 or newer operating systems, right click on the installer executable and choose 'Run as Administrator'. If you are using an operating system prior to Windows 7, double click on the executable to launch the InstallShield and initiate the software installation.

## Upgrading to the current Seal/O Software (SeaMAX)

1. Download the current SeaMAX software using the instructions from the [Instructions for Downloaded Software Installation](#) section above. Please take note of the destination directory to which it will save.



If you are using a Wireless (W-series) or Gateway or Ethernet (E-series) Seal/O module, skip ahead to either the Configuring a Wireless Module or Configuring an Ethernet Module sections of this manual, before using MaxSSD.

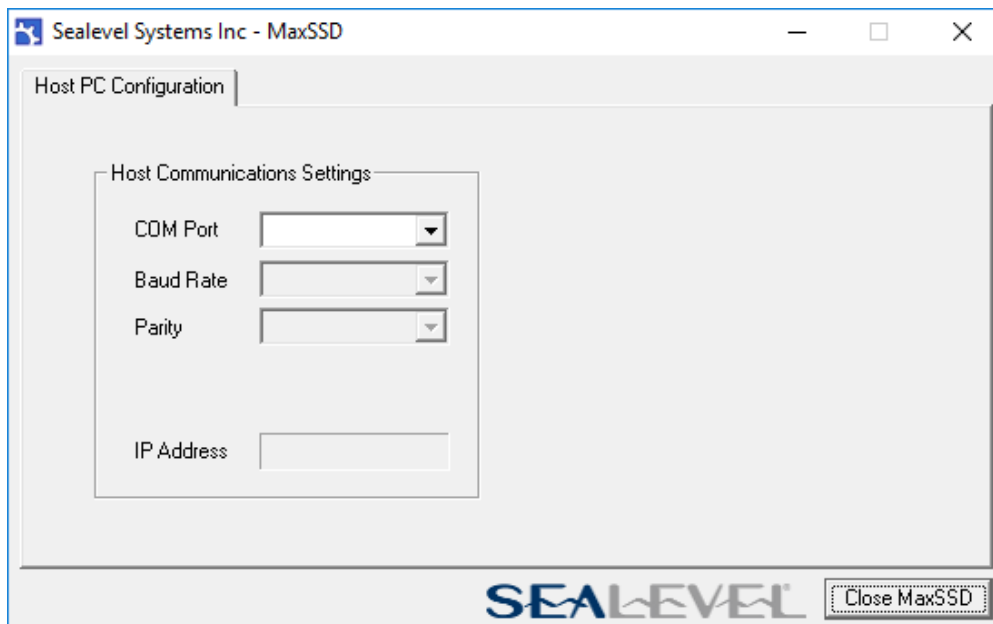
## MaxSSD Configuration & Diagnostics Utility

The Sealevel Systems configuration utility, MaxSSD, is designed to simplify the installation, configuration, and diagnostics of Sealevel I/O modules. MaxSSD is a Microsoft Windows application and has been tested with Windows 7, 8.1, and 10.

### Host PC Configuration Tab

When you run the MaxSSD utility (Start → All Programs → Sealevel Systems → SeaMAX → MaxSSD Configuration Utility) it will default to the “Host PC Configuration” tab. This tab allows the user to choose the initial communication settings for the connected I/O device. The “COM Port” dropdown box allows the selection of a serial COM port (from COM1 to COM256), and Ethernet (for Ethernet and Wireless Seal/O modules).

USB connected Seal/O modules are installed as virtual COM ports. Using device manager, expand “Ports (COM & LPT)” by clicking on the ‘+’ next to the category, and locate the COM port for your device and use it in the dropdown box in MaxSSD.



Once a COM port is selected, the baud rate and parity can be selected.



The baud rate and parity of the PC must match the settings of the Sealevel I/O module to be configured. The factory default settings for all Sealevel I/O modules are 9600 baud and no parity.

To communicate with a Seal/O Ethernet or Wireless module, select “ETHERNET” from the “COM Port” dropdown box. When Ethernet is selected, MaxSSD searches for any Seal/O Ethernet or Wireless modules on the network and displays their IP addresses in the “Available Ethernet Devices” list box (not shown). When an IP address is selected from the list box, a socket is opened to the Seal/O module, and it is ready for communication.

## Host PC Configuration Tab, Continued

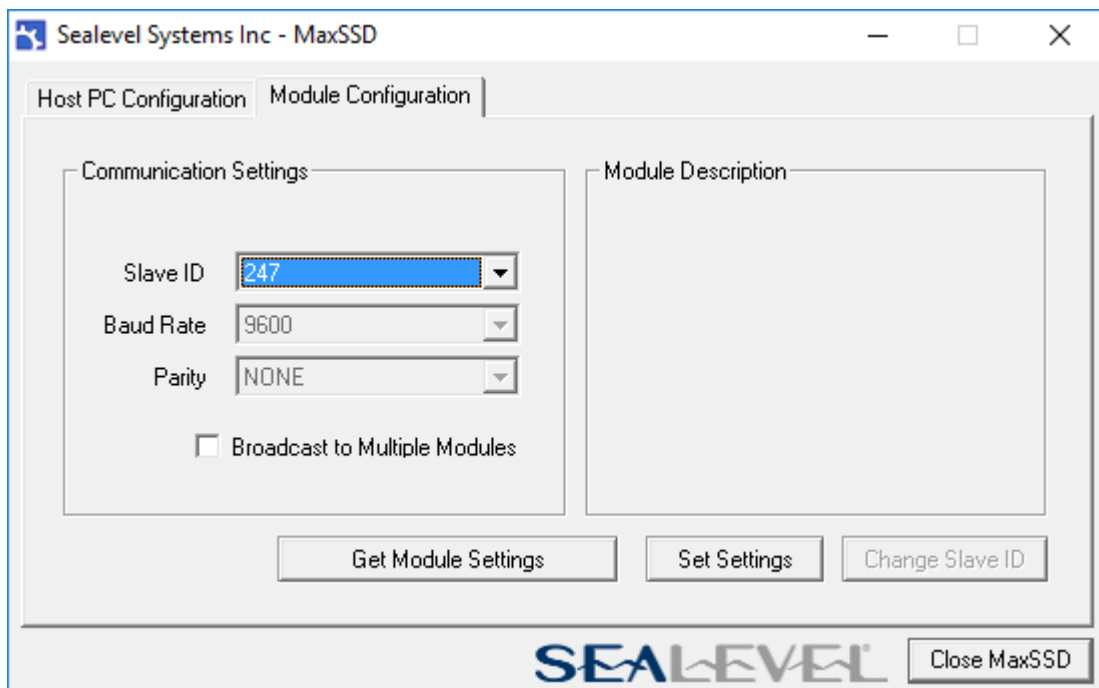
If your module is set to a different subnet, you will need to type in the IP address into the IP Address field displayed in MaxSSD and press Enter. MaxSSD will try to open port 502 on that address. When the connection succeeds, it will display the “Seal/O Configuration” tab.

**N** If no IP address is shown when using Ethernet modules, review the previous Hardware Configuration section, or proceed to the Troubleshooting section at the end of this manual.

## Seal/O Configuration Tab

Once the host computer is configured correctly, the “Seal/O Configuration” tab becomes available. Before communicating with a Seal/O module, the configuration utility must determine if there is an I/O module at that slave ID address, and if so, what type of module it is. This is the purpose of the `Get` operation.

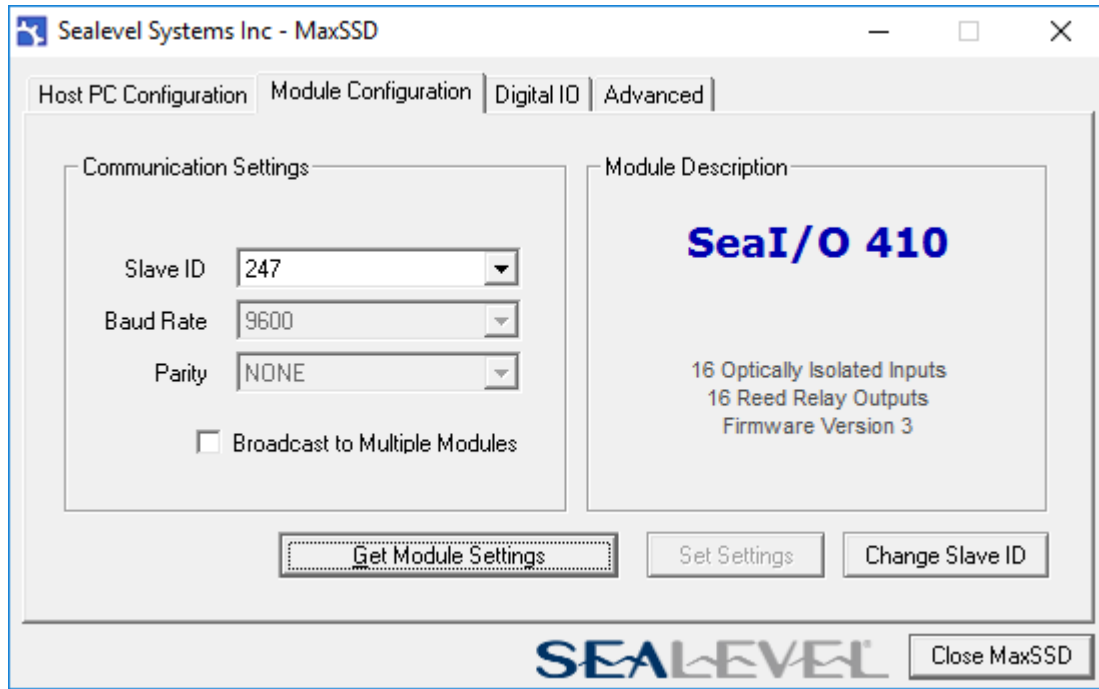
To perform a `Get` operation, first select the slave ID to which the module is configured. Seal/O modules are shipped at hardware setting 0 (labeled “ADDR” on the left side of the module) and slave ID 247 by default. All other slave ID addresses (from 1 to 246) are available. However, each daisy chained Seal/O module must have a unique slave ID address - no duplicates are allowed.



Once a slave ID is selected, click the “Get Seal/O Module Settings” button. After a short delay, the information for that I/O module should be displayed. If no information appears, verify the slave ID, host settings, and baud rates are correct and make changes, if necessary. Check the hardware settings (on the left side of the module) and try again.

## Seal/O Configuration Tab, Continued

After the Get command is executed, the “Module Description” frame will display the model type, description, firmware version number, interface, and I/O type. In the example shown, the module found at slave ID 247 is a Seal/O-410 module with a USB (Modbus RTU) interface. The “Set Settings” and “Change Slave ID” buttons will also be enabled for this module.

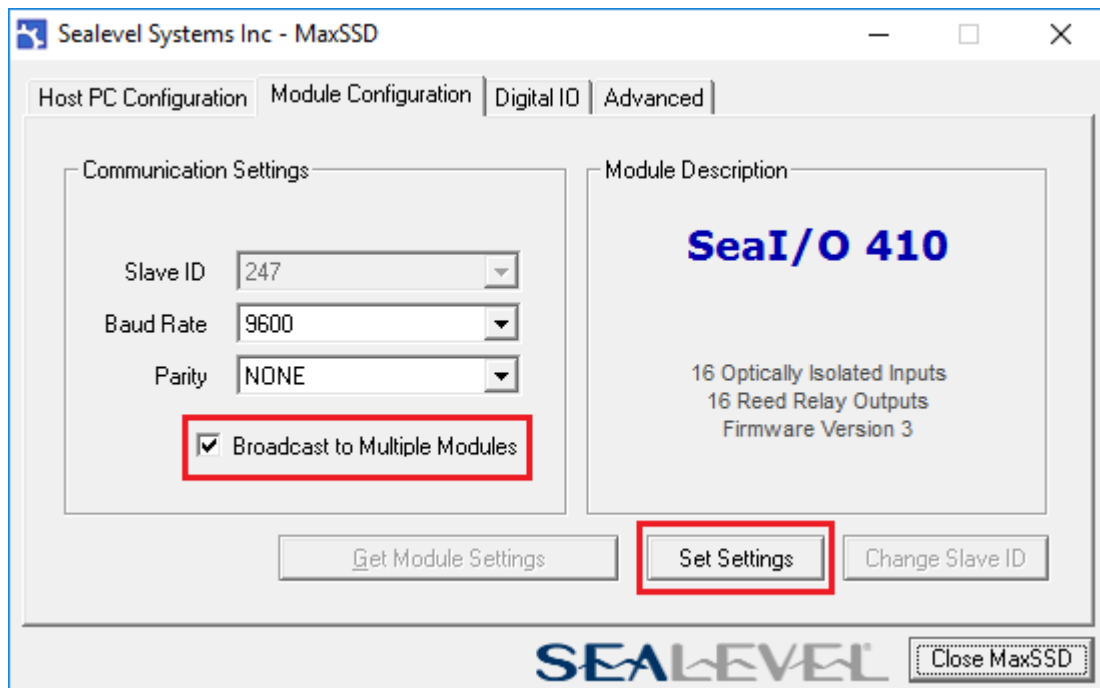


After a successful `Get` operation, additional tabs may be displayed in MaxSSD, depending on the found device model. These tabs display device I/O and allow easy configurations for all SeaMAX supported devices.

The “Broadcast to Multiple Modules” checkbox, along with the “Set Settings” button can be used to change the baud rate and parity on multiple Seal/O modules at once. This function only works with Seal/O modules connected together via the pass-through connectors.

MaxSSD broadcasts a set data rate and set parity command to all devices on the RS-485 bus, but only those modules listening at the current baud rate will be able to receive and respond. For example, if you have five Seal/O modules chained together and two are set to 9600 bps and no parity and three are set to 115.2k bps and the PC is set to 9600 bps, only the two modules set to 9600 bps will receive the broadcast set data rate and parity message.

## Seal/O Configuration Tab, Continued



## Ethernet (E-series) and Wireless (W-series) modules



The broadcast feature sets the Ethernet Seal/O (E-series) module's TCP/IP to RS-485 translation data rate independently of the Seal/O module itself. If you set the data rate to 115.2K bps via a MaxSSD broadcast command, both the RS-485 port and the Ethernet port will respond thereafter to 115.2K bps, as expected. However, if you reset the Seal/O module, by rotating the rotary switch clockwise one complete revolution, the RS-485 port will reset to 9600 bps and no parity, but the Ethernet port will remain unaffected. To restore communications, broadcast another set data rate and parity command (9600 and no parity) via MaxSSD.

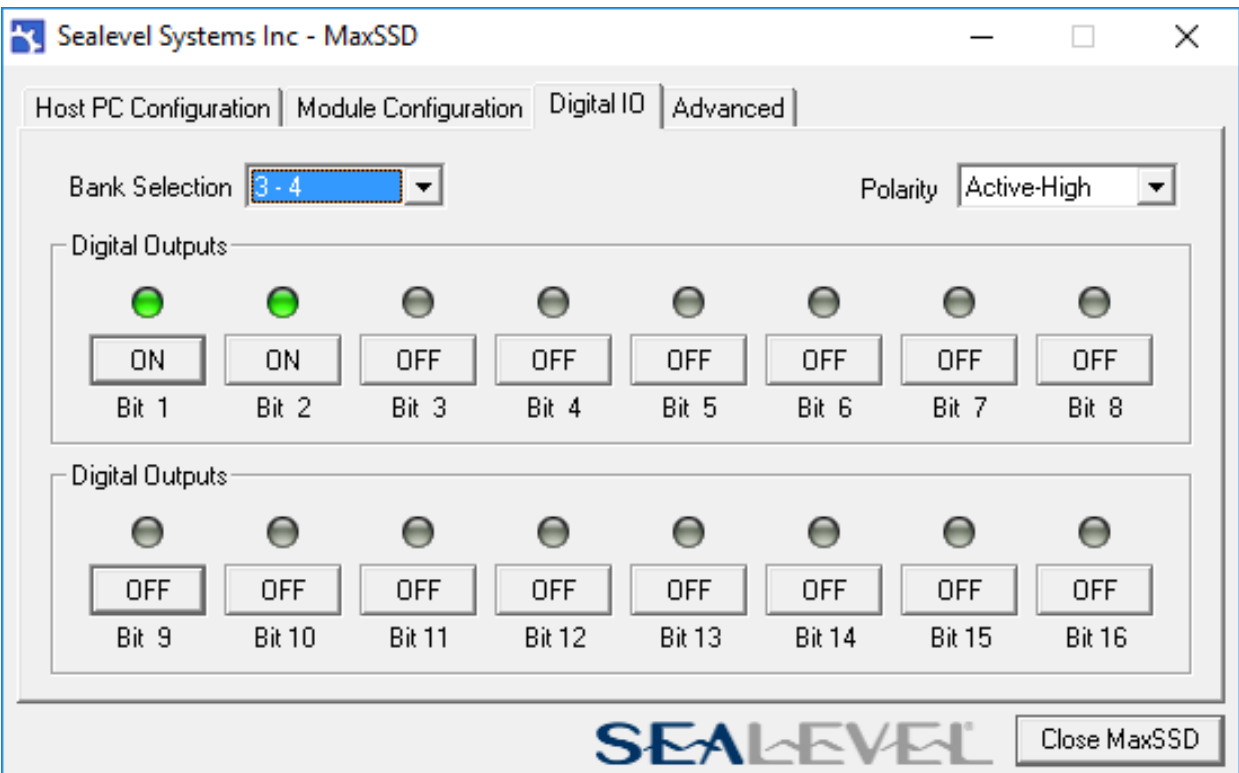
## Digital I/O Tab

The “Digital IO” tab of MaxSSD is displayed when using Sealevel I/O devices featuring discrete inputs and outputs. It displays the device’s current input and/or output status in an intuitive and usable manner.

When displaying Seal/O, the “Digital IO” tab displays inputs and outputs in groupings (or banks) of eight. Therefore, a Sealevel I/O device with 16 inputs and 8 outputs would show two banks of inputs and one bank of outputs.

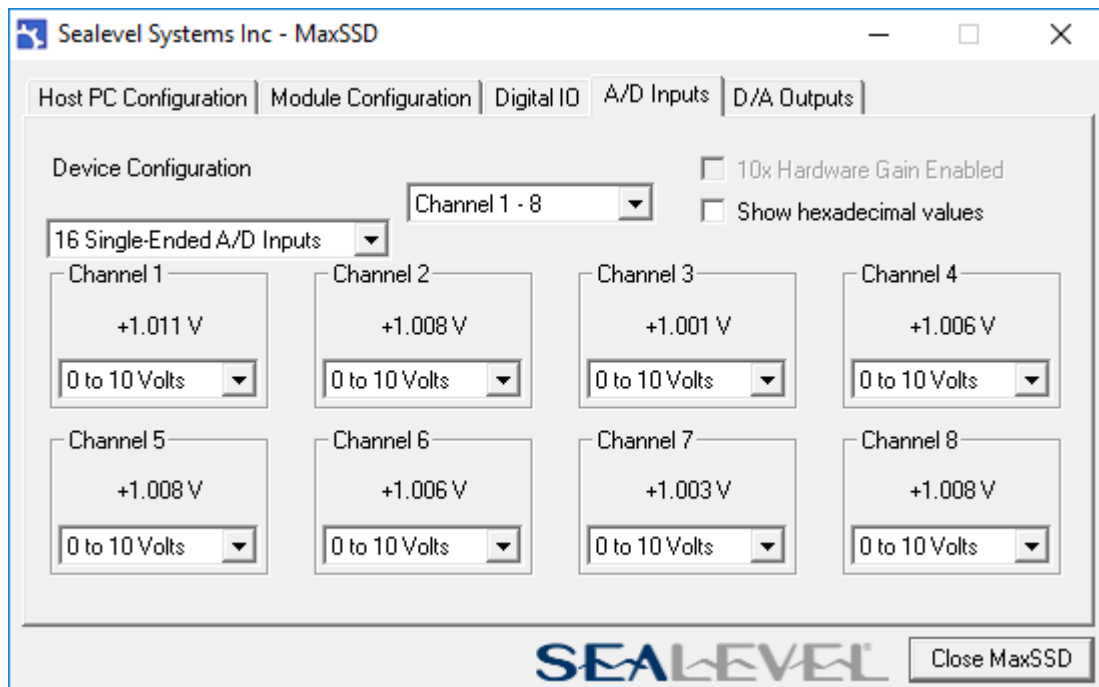
When banks of inputs are displayed, the status LEDs update on each of the banks automatically. This allows you to actively monitor external signals.

With a bank of outputs, the output coils can be set using the buttons below each output LED. As each coil is set, the I/O module is read. The corresponding status LED in the “Digital IO” tab indicates the state of the coil. In the example below, a Seal/O module with 16 Reed relays is shown.



## A/D Inputs Tab

The “A/D Inputs” tab displays the current state of the analog-to-digital channels for Sealevel I/O devices that feature A/D inputs. Settings are provided for both device wide and per-channel configuration.



The “Device Configuration” selection drop-box adjusts the arrangement and function of the A/D input channels. Input channels are displayed as banks (groups of eight). Each channel is range configurable via the voltage range dropdown list. Both the channel voltage range and device-wide configuration are set on a dropdown list. There is no need to save your settings – they are automatically saved to the device as you select the various configuration options.

“10x Hardware Gain Enabled” checkbox – Indicates whether or not the onboard hardware gain jumper is currently set. This option is **not** user configurable – it only reflects the status of the onboard hardware jumper settings. Set the hardware jumper to enable this functionality, which allows smaller voltages to be measured more accurately (e.g., a 0-1V input signal can be measured more accurately by enabling the 10x hardware gain jumper and setting the Seal/O-470 A/D input channel for 0-10V range).

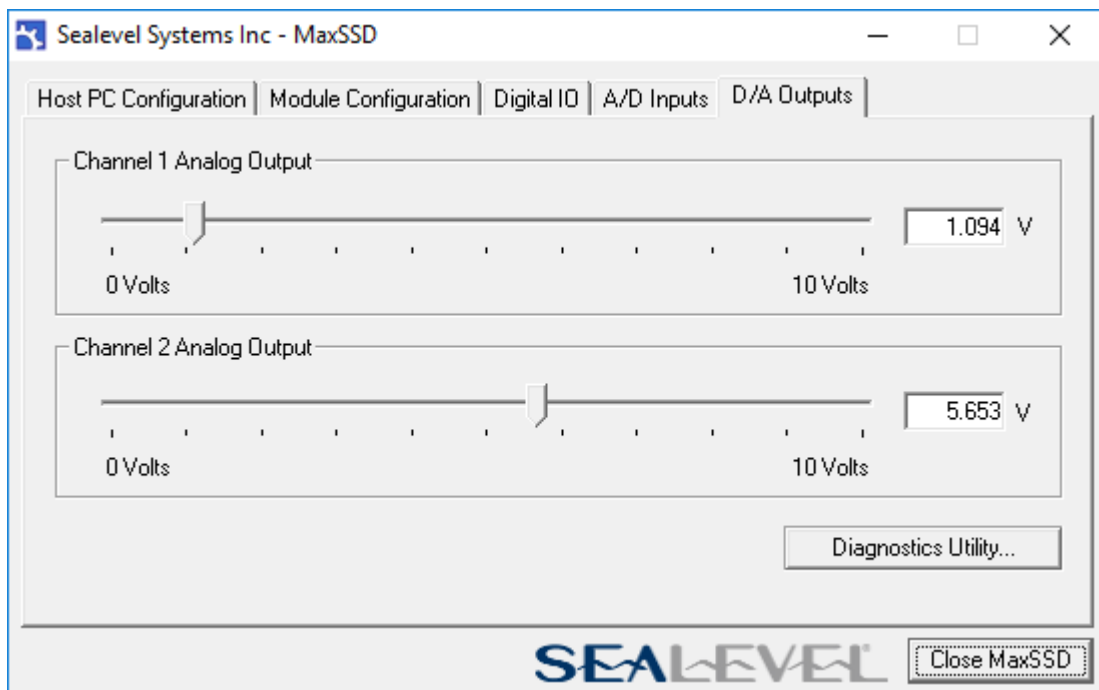
“Show Hexadecimal Values” checkbox – Displays the values returned by the A/D converter as a hexadecimal value without converting the values to engineering units (i.e., Amps or Volts)

## D/A Outputs Tab

The “D/A Outputs” tab is useful for manually setting the digital to analog output voltages on applicable Sealevel I/O devices with D/A channels. A preliminary diagnostics utility (see following page) has been provided to verify proper hardware functionality.

The D/A outputs of the Seal/O-470 are factory set for 0-10V. To configure the D/A outputs for 0-5V, you will need to open the enclosure and set the correct jumpers. Refer to the Hardware Configuration section of this manual for instructions on opening the enclosure and accessing the correct jumpers.

To adjust a particular channel’s output voltage, drag the slider until the desired voltage is displayed in the window on the right side. Also, you may type the desired voltage directly into the voltage display and then confirm your entry by pressing the ‘Enter’ key on your keyboard.

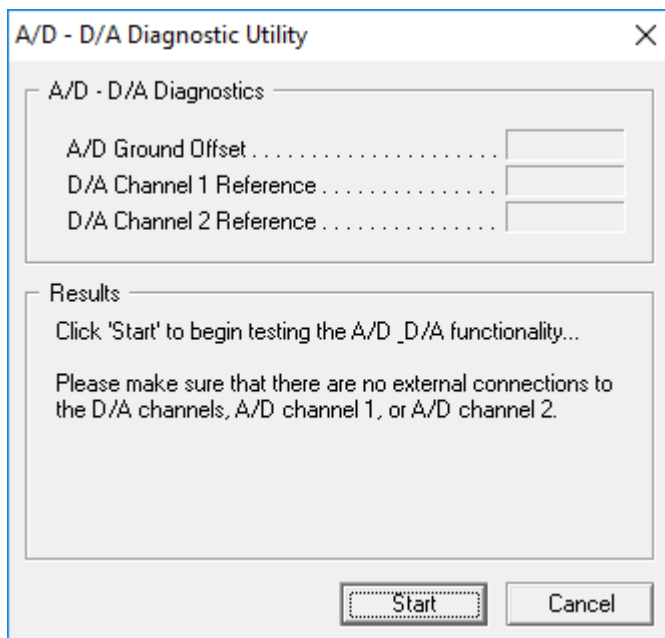


**N** The output voltage will not change until the ‘Enter’ key is pressed or you have clicked on the window anywhere outside of the text entry field.



## A/D & D/A Diagnostics

To check basic functionality of both the A/D and D/A converters, press the “Diagnostics Utility” button on the “D/A Outputs” tab (shown on the previous page) and then press the “Start” button, as shown below. Any errors will be shown in the “Results” pane. If any errors occur, please contact technical support for further help.



## Converting A/D & D/A Values

To properly use the values returned from the Seal/O-470 module’s A/D channels, the application program must convert the returned values to engineering units (voltage). Likewise, the application program must output the correct value to the I/O module’s D/A outputs to generate the desired voltage.

The conversion formulas will vary depending on how the I/O module is configured. The formulas and their uses are covered in detail in the interactive documentation located on the Sealevel website at <https://www.sealevel.com/seamax-api-documentation/>. For ease of use, SeaMAX functions to convert A/D and D/A values have been provided. Use of these functions is also detailed in the [SeaMAX API Documentation](#).

## Troubleshooting - SeaMAX

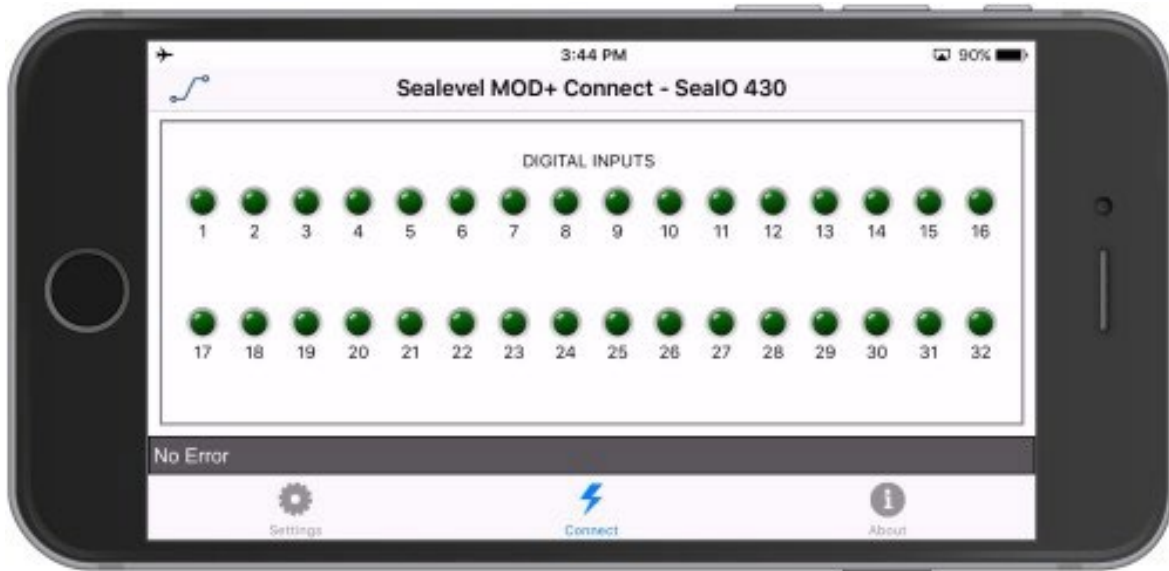
By using this software and following these simple steps, most common problems can be eliminated without the need to call Technical Support.

1. Read this manual thoroughly before attempting to install the adapter in your system.
2. Uninstall any previous versions of the SeaMAX software before installing any new versions.
3. **Install SeaMAX Software Suite first, before connecting any Sealevel I/O devices.** After installing the software then proceed to adding the hardware. This places the required installation files in the correct locations. After installing the software, proceed with adding the hardware.
4. Confirm that all screw terminal connections are correct and secure and that the correct cables are being used, including network cables (crossover vs. patch cables).
5. You can use standard network patch cables (straight-through cables) to connect Seal/O modules together via the pass-through connectors on the left side of the module. Crossover cables should never be used to connect two or more Seal/O modules together. Crossover cables should **only** be used to connect an Ethernet Seal/O module to a host without going through an Ethernet hub or switch.
6. On Seal/O modules, verify that the device address (slave ID) is properly set. Refer to the **Hardware Configuration** section of this manual for instructions on setting the device slave ID.
7. Use the MaxSSD utility to verify proper installation. MaxSSD is designed to simplify the installation, configuration, and diagnostics of Sealevel Seal/O modules.
8. If the Seal/O modules only sometimes respond to a **Get** operation or return invalid data, you may have termination improperly set. Refer to the **Hardware Configuration** section of this manual for instructions on properly setting line termination and pull-up/pull-down resistors.
9. Refer to the **Troubleshooting Ethernet Modules** section on the following page for additional steps regarding Ethernet (E-series) Seal/O modules.

If these steps do not solve your problem, please call Sealevel Systems' Technical Support, (864) 843-4343. Our technical support is free and available from 8:00AM-5:00PM Eastern Time, Monday through Friday. For email support contact: [support@sealevel.com](mailto:support@sealevel.com).

# Mod+ Connect Mobile App

The Sealevel Mod+ Connect 2.0 app is an easy-to-use diagnostic utility that allows you to monitor, test and troubleshoot Sealevel I/O devices using your iOS device. Mod+ Connect 2.0 is a universal app compatible with iPhone, iPod touch and iPad mobile devices running iOS 9 or later, with an active wireless connection.



## With Sealevel Mod+ Connect 2.0, you can:

- Monitor Sealevel I/O devices on a Local Area Network (LAN)
- Directly interact with the I/O on Sealevel I/O devices
- Troubleshoot network and communication problems
- Perform equipment demonstrations

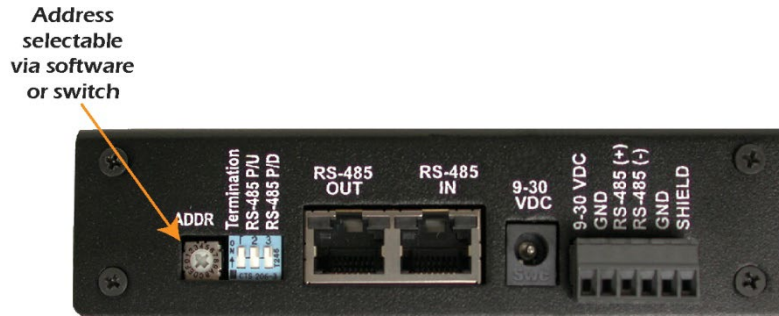
The Sealevel Mod+ Connect 2.0 app is compatible with the following Sealevel I/O devices:

[Seal/O Ethernet and Wireless I/O modules](#)  
[eI/O Ethernet and PoE compact I/O modules](#)

# Hardware Configuration

## Setting Device Address (Slave ID)

Before configuring Seal/O modules using MaxSSD, you must first select a device addressing method. Next, you must properly set termination and pull-up/pull-down resistors. Finally, you must configure the Seal/O modules one at a time before MaxSSD and any subsequent applications (using the SeaMAX API) will be able to successfully communicate.



Seal/O modules have a rotary switch, labeled “ADDR,” located on the left side of the device that is used to set the device address (slave ID). The default position for all Seal/O modules is position “0” (zero). Each Seal/O module must be set to a unique slave ID in order to properly communicate with the host device, which can be a computer or Modbus device. The slave ID can be set by hardware using the rotary switch, which is recommended for most users. The slave ID can also be set in software by leaving the rotary switch at position “0” and using MaxSSD to set the slave ID. The rotary switch has three functions:

- **Set Address (slave ID) via Hardware** – If the rotary switch is set to a position between “1” and “15” (F). The Seal/O module will then always respond to commands issued at that slave ID. This is useful when there are fewer than 16 Seal/O modules in a chain and the slave ID is not required to change. This method is recommended for most users.
- **Set Address (slave ID) via Software** – If the rotary switch is left in the “0” (zero) position, the Seal/O module uses a default slave ID of 247 for communications. By using MaxSSD (or the SeaMAX libraries), it is possible to set the slave ID to a software address between 1 and 247. This is useful when there are more than 16 Seal/O modules in a chain, or when the slave ID of a module needs to be frequently changed.
- **Hardware Reset** – If you have an existing Seal/O module set to an unknown slave ID or baud rate, you may wish to reset the device. If the rotary switch is rotated clockwise one full revolution, the Seal/O module will be reset to factory defaults (slave ID 247, 9600 bps, and no parity).

## Hardware Configuration, Continued

- N** A Hardware Reset will not reset the communication rate of Ethernet (E-series) and Wireless (W-series) modules. Rotate the rotary switch clockwise one full revolution, and then use the MaxSSD utility to broadcast a set baud rate command to 9600 bps and no parity.

## Setting Termination & Pull-Up/Pull-Down Resistors



A “stack” or “chain” of Seal/O modules, connected via the pass-through connectors or screw terminals on the left side of the enclosure, communicates via an RS-485 bus, which must be properly terminated to work correctly. A set of three dipswitches is located on the left side of enclosure, next to the “ADDR” rotary switch. These switches control line termination and the RS-485 pull-up and pull-down resistors.

The pull-up and pull-down resistors ensure that the input ports are at a known state when not being driven by the RS-485 line. In most cases, all three of the dipswitches on each Seal/O module should be in the down position, except the two end modules. The first and last Seal/O modules in the chain should have all three dipswitches in the up (enabled) position.

- N** Make sure that only the first and last Seal/O modules have line termination enabled (up position). Improper termination settings can result in invalid data or communication failures.

## Configuring the “Base” Seal/O Module

Once the SeaMAX Software Suite has been installed successfully and you have decided which address (slave ID) method you intend to use, start by connecting the first Seal/O module to your computer. This will be referred to as the “base” module.

If you are chaining multiple Seal/O modules together, only one Seal/O module in the chain can be the “base.” All other Seal/O modules connected to the “base” module are referred to as expansion modules. Multiple “base” modules can be directly connected to a host computer, but expansion modules must be connected (daisy chained) to a “base” module.



If you are configuring an Ethernet (E-series) or Wireless (W-series) Seal/O module, skip ahead to the Configuring an Ethernet Module or Configuring a Wireless Module sections for specific information on installing those modules.

For all other Seal/O modules (U-series, S-series, or M-series), locate the COM port by expanding the 'Ports' list in Windows Device Manager.

Start MaxSSD (Start → All Programs → Sealevel SeaMAX → MaxSSD) and choose the correct port (IP address or COM port) to communicate with the "base" module. Ensure a successful Get operation (refer to the MaxSSD section on the following pages for more information).

Set the slave ID of the "base" module using the rotary switch or software selection method discussed in the Setting Device Address section on the previous pages. This guarantees that any expansion modules connected next will not conflict with the "base" module. Perform another Get operation to verify that you can communicate with the "base" module at the new slave ID.



Configure Seal/O modules one at a time. Set the address to a hardware slave ID other than "0" or a software slave ID other than 247, which avoids device conflicts during setup.

After the "base" module is successfully communicating via MaxSSD, you can proceed with adding Seal/O expansion modules (N-series) one at a time as required.



If the "base" module does not respond as expected, turn the rotary switch (ADDR) clockwise one full revolution to reset. Configure the PC to communicate at 9600 bps and no parity and then try again.

## Configuring N-Series Expansion Modules

Once you have successfully connected and communicated with a “base” module, you can begin adding expansion modules (N-series). Connect a single expansion module to the “base” module via the RJ45 pass-through connectors or screw terminals on the left side of the enclosure. Expansion modules include a convenient 5” interconnect cable (Part# CA239) to simplify daisy-chaining Seal/O modules together. Alternatively, you can use standard network patch cables to chain expansion modules to a “base” module.



The RJ45 pass-through connectors on the left side of Seal/O modules are **not** Ethernet connectors. **Do not** connect the ports to Ethernet enabled devices else damage to Ethernet devices **will** result.

Ensure a successful Get operation (refer to the MaxSSD section on the following pages for more information). Set the slave ID of the expansion module using the rotary switch or software selection method discussed in the Setting Device Address section on the preceding pages. Perform another Get operation to verify that you can communicate with the expansion module at the new slave ID.

Continue adding expansion modules (N-series) one at a time, until all modules have been successfully daisy-chained together and respond to a Get operation in MaxSSD. Once all Seal/O modules are configured and communicating successfully, they are ready to communicate with your application.

## Configuring a Wireless (W-Series) Module or Wireless Gateway

Begin by connecting power to the wireless device. The STAT LED will blink twice to indicate that the unit is powered up in Access Point mode and is ready to be configured to work with your wireless network. In the case of a Seal/O wireless module, this module will become the “base” module.



All Seal/O wireless devices ship in Access Point mode. This allows you to directly connect to the device for configuration using any mobile device, laptop, or desktop computer with a wireless 802.11b/g/n compatible adapter.

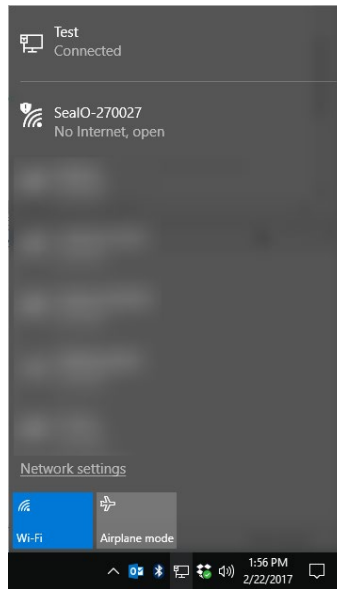
## Basic Wireless Configuration Overview

1. Using a wireless enabled computer or mobile device, connect to the device. Once connected, open a browser, and navigate to the Profile page.
2. Create a network profile for your network wireless access point.
3. Restart the device.

## Wireless Configuration Details

The detailed configuration instructions that follow are for Windows 10. The basic instructions for Windows 7 are the same. If you have any questions, please contact Sealevel technical support at [support@sealevel.com](mailto:support@sealevel.com).

Begin by clicking on the network icon in the system tray to show the list of available wireless access points (Figure 3). Connect to the access point named “**SeaIO-27XXXX**”<sup>1</sup>. By default, the access point is unsecured with no password required to connect. The module assigns an IPv4 address to your client via DHCP. The STAT LED will light up to indicate a client has connected. (Only one client may be connected to the Seal/O wireless device’s access point at a time.)



**Figure 3: Connecting to Seal/O wireless device access point**

Open a web browser (such as Microsoft Edge) and navigate to the device’s configuration web page. Depending on the platform you are using, the address is in one of the following formats:

- The IPv4 address, e.g., <http://192.168.1.1/> (all platforms)
- The NetBIOS name, e.g., <http://SealIO-27xxxx/> (Windows only)
- The mDNS name, e.g., <http://SealIO-27xxxx.local/> (iOS only)

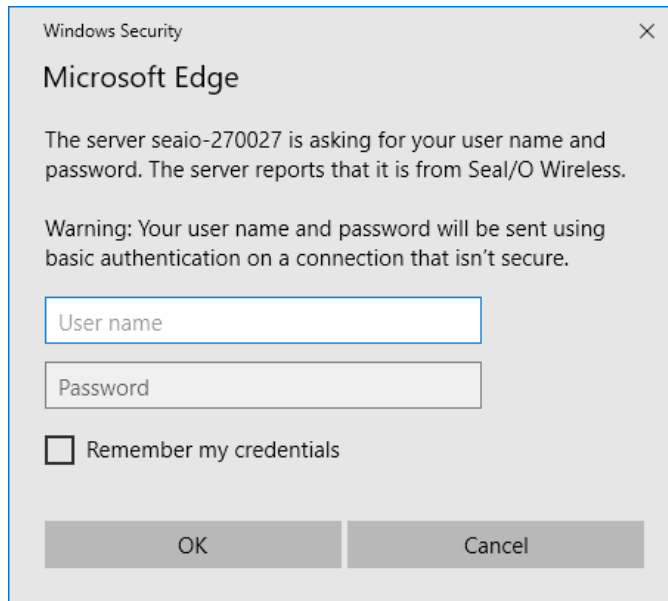
The NetBIOS/mDNS name is equivalent to the device name, which is configurable on the Configuration page. Note that the terminating slash is required.

Enter the username and password to access the web page (Figure 4). The default username and password are both “seaioadmin.” **It is highly recommended that you change the username and password from the defaults.**

---

<sup>1</sup> Here and elsewhere in this manual, 27XXXX refers to the last 6 characters (i.e., last 3 octets) of the device’s unique MAC address, which is located on the sticker.





**Figure 4 - HTTP authentication window**

Use the navigation bar (on a desktop PC) or dropdown menu (on a mobile device) to navigate to the Profiles page. Add a profile for a wireless access point using the green "+" button. Enter the name of the access point, the security type, and the password (if applicable). Optionally, modify the profile priority. Restart the device by momentarily pressing the reset button on the side or by cycling power.

On subsequent boots, the device will boot into Infrastructure Mode, indicated by the STAT LED blinking once. It will automatically attempt to connect to the profile(s) in its list of access point profiles in order of priority.

Your Seal/O device should now be visible on your network. You can now access the internal configuration page in a similar manner as before to configure the device further as necessary.

To return to AP mode at any time after initial setup, remove power from the unit, press the configuration button on the front of the device, and apply power until the STAT LED blinks twice. The device will enter AP mode for the current boot only.

To reset all network and serial settings to their factory defaults, press and hold the configuration button for 10 seconds. The STAT LED will blink 5 times to confirm, and the device

# Device

The Device page displays all current configuration parameters, an administration section, and a section to update the wireless adapter's firmware.

The administration section includes buttons to restart the device and reset to factory settings. Use the Restart Device button as a convenient way to remotely restart the device. You will be required to restart the device after making any changes to network settings from this web interface. This button is equivalent to power-cycling the device using the physical reset button or unplugging and restoring power.

Use the Factory Settings Reset button to revert all network and communication settings to their factory defaults. This is equivalent to holding the physical configuration button for 10 seconds.

If the "Enable firmware update of device" feature is enabled (see the [Configuration](#) Page), the Firmware Update section is displayed and allows for the wireless adapter's firmware to be remotely updated. Selection of a new firmware file is done with the Browse button, after which the Upload button starts the update process. A pop-up dialog box will appear after the upload is complete which, if the upload is successful, will prompt you to click a Restart button to complete the update.

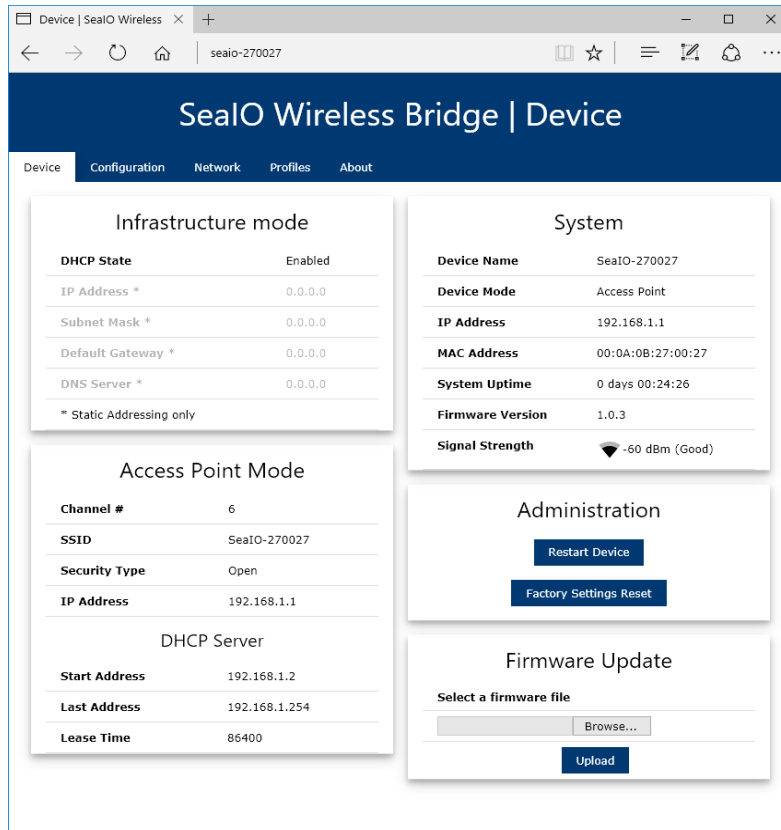


Figure 5 - Device Page

# Configuration

The Configuration page includes the options to change the device name and HTTP authentication settings, as well as enable or disable firmware update-related features.

The device name is reflected in the NetBIOS and mDNS name mentioned in the first-time setup process. Changing this setting requires a device restart.

Change the HTTP Authentication settings to change the username and password required to access the internal web pages.

The Firmware Update settings allow for the local device (the wireless adapter) and Modbus-connected Seal/O slave device firmware update features to be enabled/disabled. Both features are disabled by default for security. To allow updating of the local device (the wireless adapter itself), check the “Enable firmware update of device” checkbox and click Apply. Note that the Firmware Update panel on the Device page will be shown or hidden to reflect the value of the “Enable firmware update of device” setting. The “Enable firmware update of slave devices via MaxSSD” setting allows the wireless adapter to pass along firmware updates to any Seal/O slave device connected via RS485 to the base/master Seal/O device when using MaxSSD. Any change to the Firmware Update settings take effect immediately after clicking the Apply button; no restart is required.

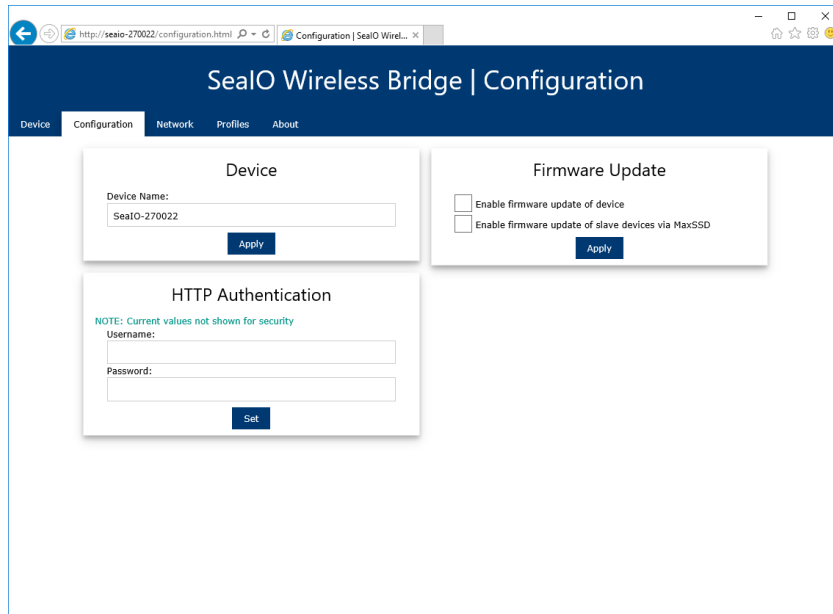


Figure 6 - Configuration page

# Network

The Network page allows configuration of DHCP client settings in Infrastructure mode, DHCP server settings in Access Point mode, and Access Point configuration, including wireless security.

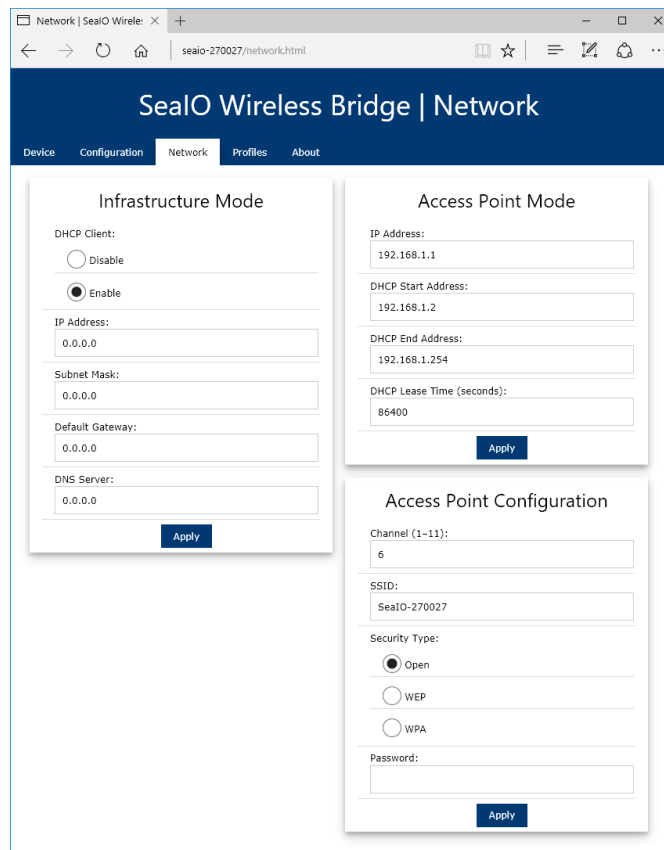
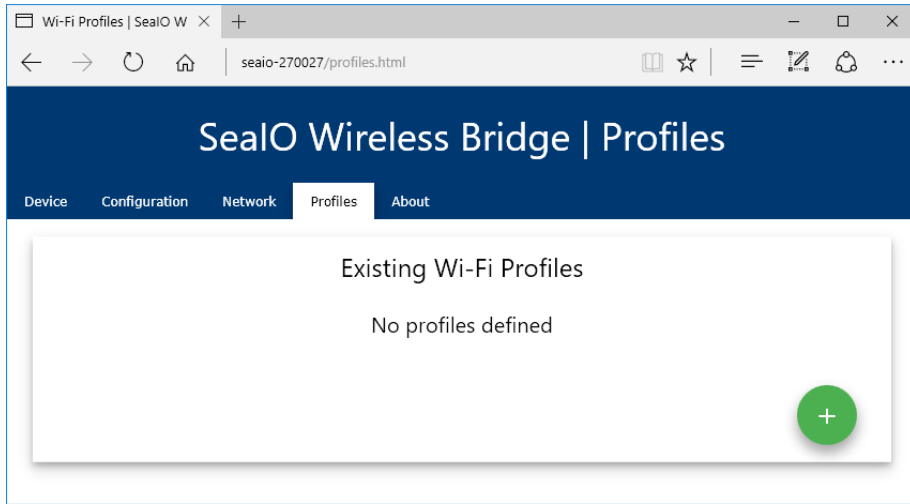


Figure 7 - Network Page

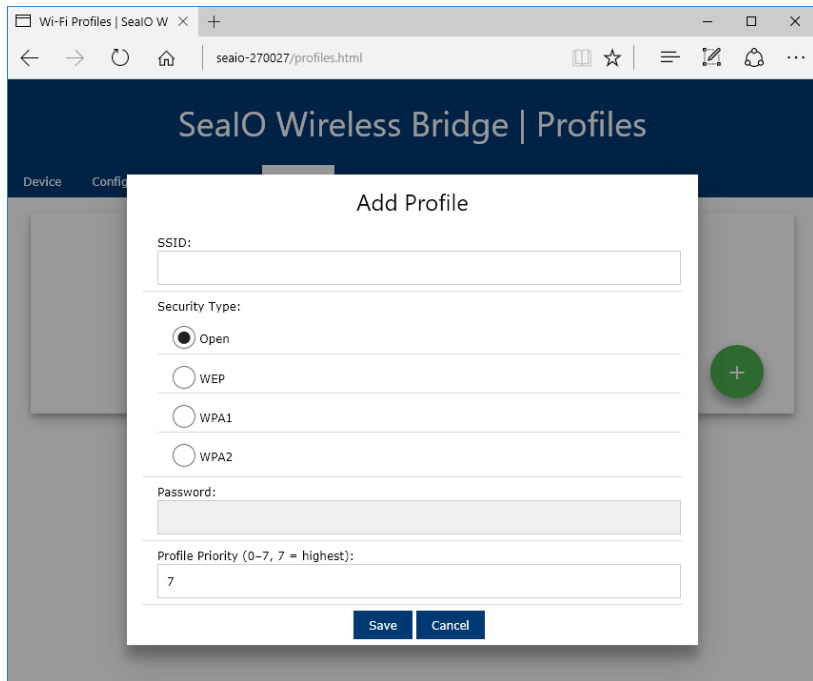
# Profiles

The profiles page shows the list of wireless access point profiles to which the device could establish a connection. Initially there are no profiles defined. Use the green Add (“+”) button to add a profile.



**Figure 8 - Profiles Page**

In the “Add Profile” window, set the SSID, Security type, Password, and profile priority. Click the “Save” button to save your new profile. Please note that the SSID and password fields are case-sensitive.



**Figure 9 – Adding a wireless profile**

Once saved, you will be able to view the profile you just created in the “Profiles” page in the list of “Existing Wi-Fi Profiles,” along with any additional profiles that may currently exist. You may also delete profiles from the list as needed by selecting one or more checkboxes and clicking “Remove Selected Profile(s).”

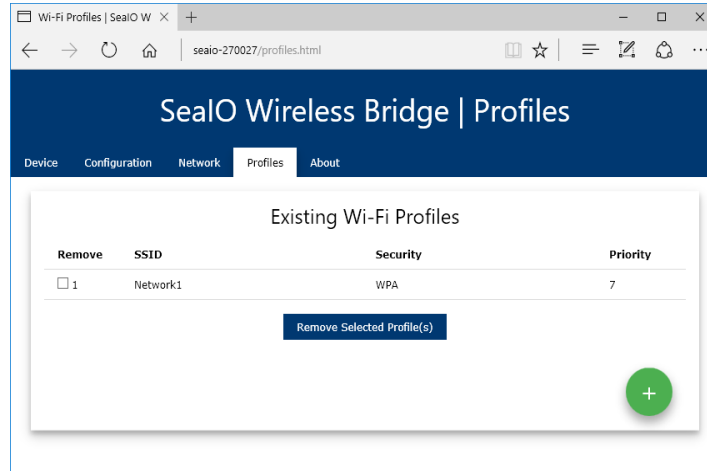


Figure 10 - Profiles page with newly added profile

## About

The “About” page displays copyright and contact information for Sealevel Systems.

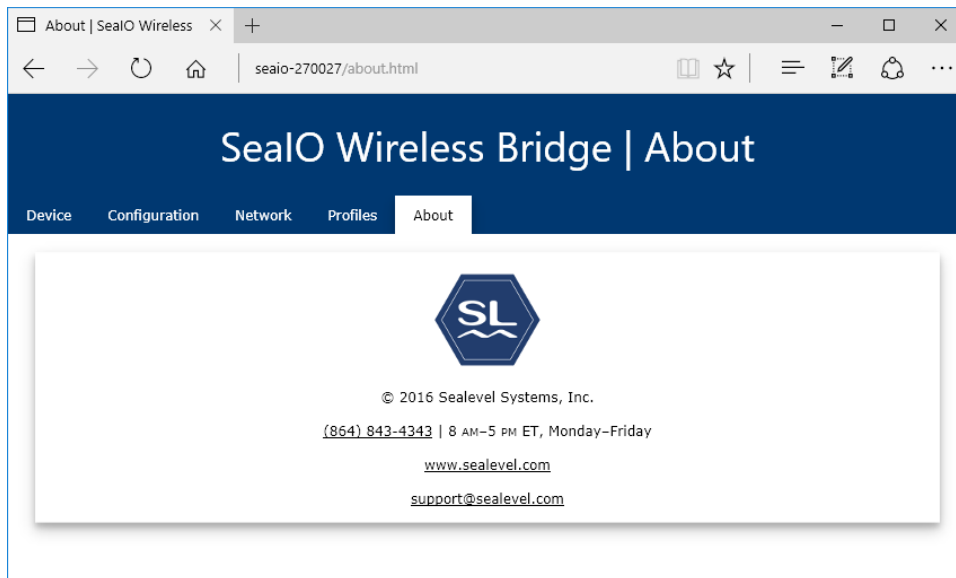
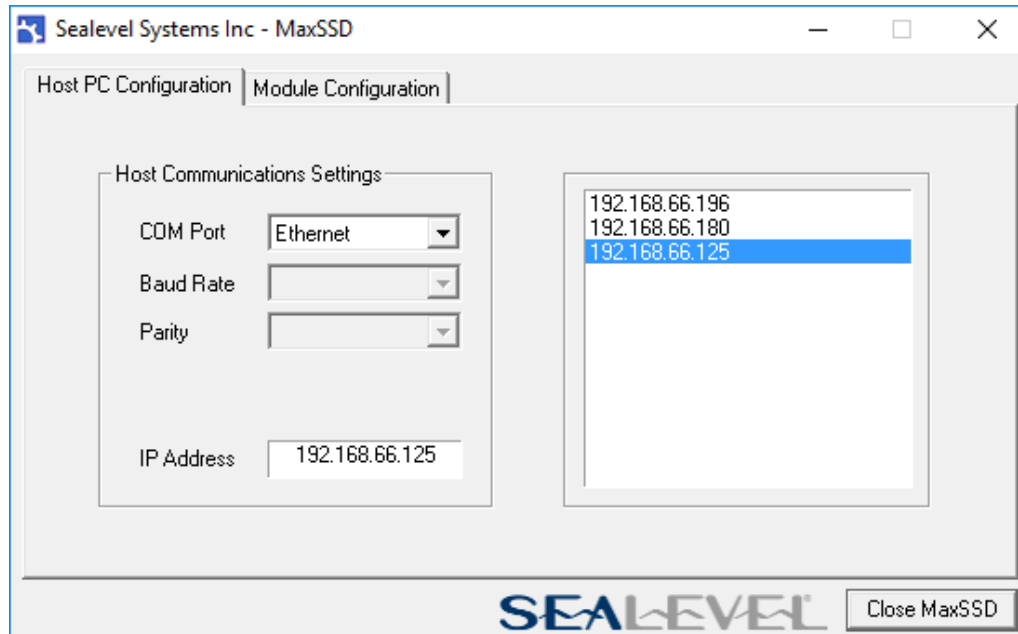


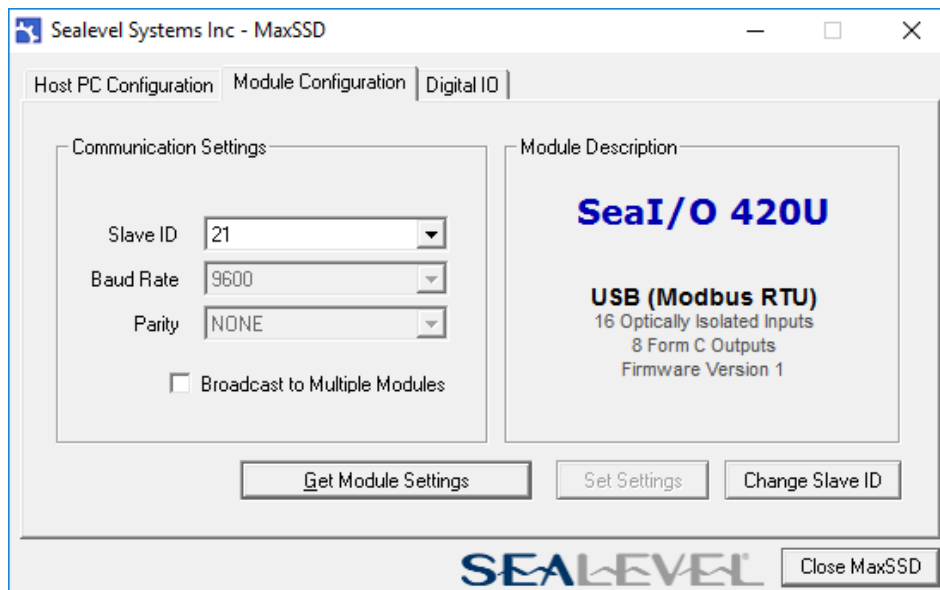
Figure 11 - About page

## Connecting to a Wireless Seal/O Module with MaxSSD

Once your Seal/O wireless module or gateway is connected to your network, start MaxSSD (Start → All Programs → Sealevel SeaMAX → MaxSSD) and select Ethernet in the drop down box. Verify that the IP Address for the wireless Seal/O module appears in the right hand pane.



Choose the correct IP Address (if more than one is listed) and click the “Seal/O Configuration” tab. Use the drop down box to select the appropriate Slave ID (default is 247) and then click the “Get Seal/O Module Settings” button. You will see the description for the wireless Seal/O module appear in the right hand frame.



## Connecting to a Wireless Seal/O Module with MaxSSD, Continued

Set the slave ID of the “base” wireless Seal/O module using the rotary switch or software selection method discussed in the Setting Device Address section (MaxSSD chapter) of this manual. This guarantees that any expansion modules connected next will not conflict with the “base” module. Perform another Get operation to verify that you can communicate with the “base” wireless Seal/O module at the new slave ID.



Configure the Seal/O modules one at a time. Set the address to a hardware slave ID other than “0” or a software slave ID other than 247, to avoid device conflicts during setup.

After the “base” wireless Seal/O module is successfully communicating via MaxSSD, you can proceed with adding Seal/O expansion modules (N-series). Refer to the Configuring Expansion Modules section of this manual.



## Configuring an Ethernet (E-Series) Module

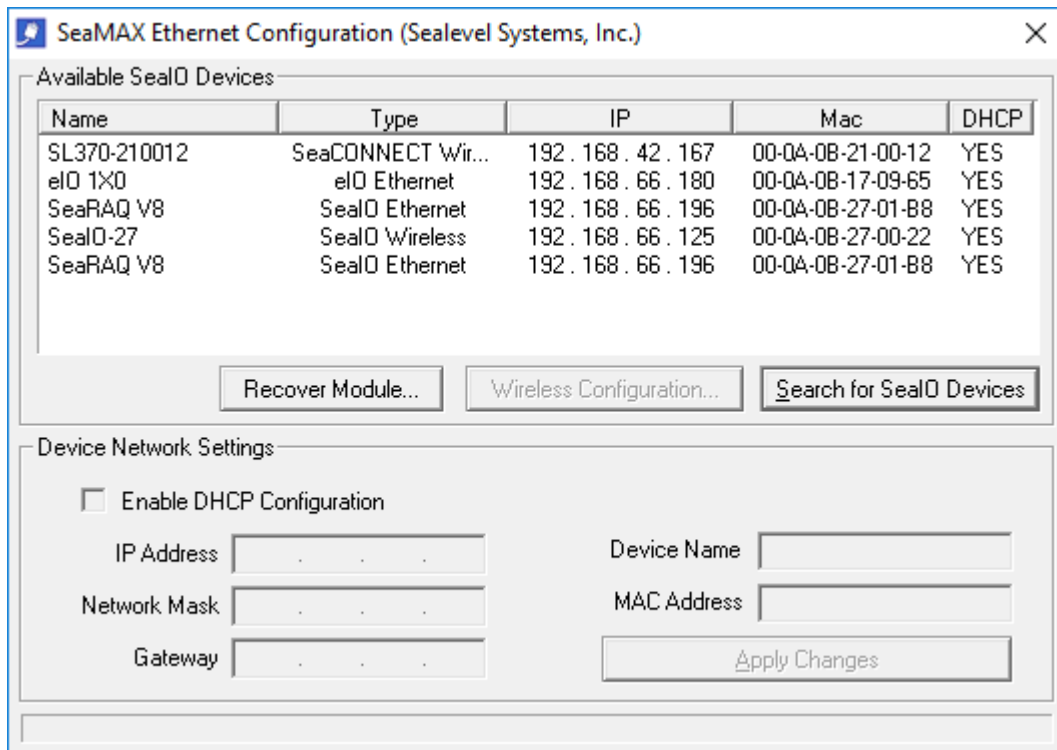


This section applies only to Ethernet (E-series) Seal/O modules. For all other Seal/O modules, refer to the Configuring a “Base” Seal/O Module and Configuring Expansion Modules sections on the previous pages.

Verify that SeaMAX software has been installed successfully and that an Ethernet Seal/O module is connected directly to your computer using the yellow crossover cable supplied with your module. This module will become the “base” module.

All Ethernet Seal/O modules are shipped with DHCP enabled. When you first connect an Ethernet Seal/O module to the network, the status LEDs on the front of the module will blink while it searches for a DHCP server. Once it receives an IP address, the status LEDs will remain on.

If no DHCP server is available, the Ethernet Seal/O module will default to a random IP address in the range 169.254.x.x. To discover the Seal/O module’s IP address, start the Ethernet Config utility (Start → All Programs → Sealevel SeaMAX → Ethernet Config) installed with SeaMAX.



Click on the “Search for Seal/O Devices” button and the ‘Available Seal/O Devices’ pane should refresh with any Ethernet or Wireless Seal/O modules that are found on the network. Select one of the modules in the list by clicking on it. You can update the settings in the Device Network Settings pane and then confirm these changes by clicking the “Apply Changes” button. The module list should refresh, indicating that your changes were successful.

## Configuring an Ethernet (E-Series) Module, Continued

**N** If the module does not change or respond, the PC and the module may be on different subnets. Proceed to the “Resetting An Ethernet Seal/O Module” section on the following page.

Start MaxSSD (Start → All Programs → Sealevel SeaMAX → MaxSSD) and choose the correct IP address to communicate with the “base” Ethernet Seal/O module. Ensure a successful Get operation (refer to the MaxSSD section of this manual for more information).

Set the slave ID of the “base” Ethernet Seal/O module using the rotary switch or software selection method discussed in the Setting Device Address section on the previous pages. This guarantees that any expansion modules connected next will not conflict with the “base” module. Perform another Get operation to verify that you can communicate with the “base” Ethernet Seal/O module at the new slave ID.

**N** Configure the Seal/O modules one at a time. Set the address to a hardware slave ID other than “0” or a software slave ID other than 247, which avoids device conflicts during setup.

After the “base” Ethernet Seal/O module is successfully communicating via MaxSSD, you can proceed with adding Seal/O expansion modules (N-series). Refer to the Configuring Expansion Modules section on the previous pages.

## Resetting an Ethernet Seal/O Module

An Ethernet Seal/O module may become no longer visible in the module list in the Ethernet Config utility if the Ethernet Seal/O module has been configured to use a different subnet than the host computer.

In other cases, the Ethernet Seal/O module does not appear in the module list due to a DHCP discovery failure. In either case, clicking on the “Recover Module” button (see image on previous page) in the Ethernet Config utility will bring up the “Module Reset” window shown below.

Module Reset

Before recovery, please ensure that the module is connected to the PC via a cross-over Ethernet cable or hub. Then use the drop down box to select the network interface the device is connected to.

Enter the module's MAC address (found on the bottom box label) below with dashed-octet format: XX:XX:XX:XX:XX:XX.

Network Interface

Network 192.168.42.205

MAC Address

Network Settings

Enable DHCP Configuration

IP Address

Network Mask

Gateway

Cancel Recover Module...

Before recovery begins, make certain that the PC and Ethernet Seal/O module are on the same network segment – they should be connected with an Ethernet crossover cable, through a hub, or through a non-routing switch. Ethernet Seal/O modules are shipped with both an Ethernet patch cable (blue) and an Ethernet crossover cable (yellow).

Enter the MAC address found on the label on the bottom of the Seal/O enclosure. A MAC address is made up of six pairs of hex digits separated by dashes (i.e., xx-xx-xx-xx-xx-xx). While entering the MAC address, the indicator to the right of the field will turn red if the MAC address entered is invalid. Once a MAC address is successfully entered, the indicator light will turn green, and the “Network Settings” options will be enabled.

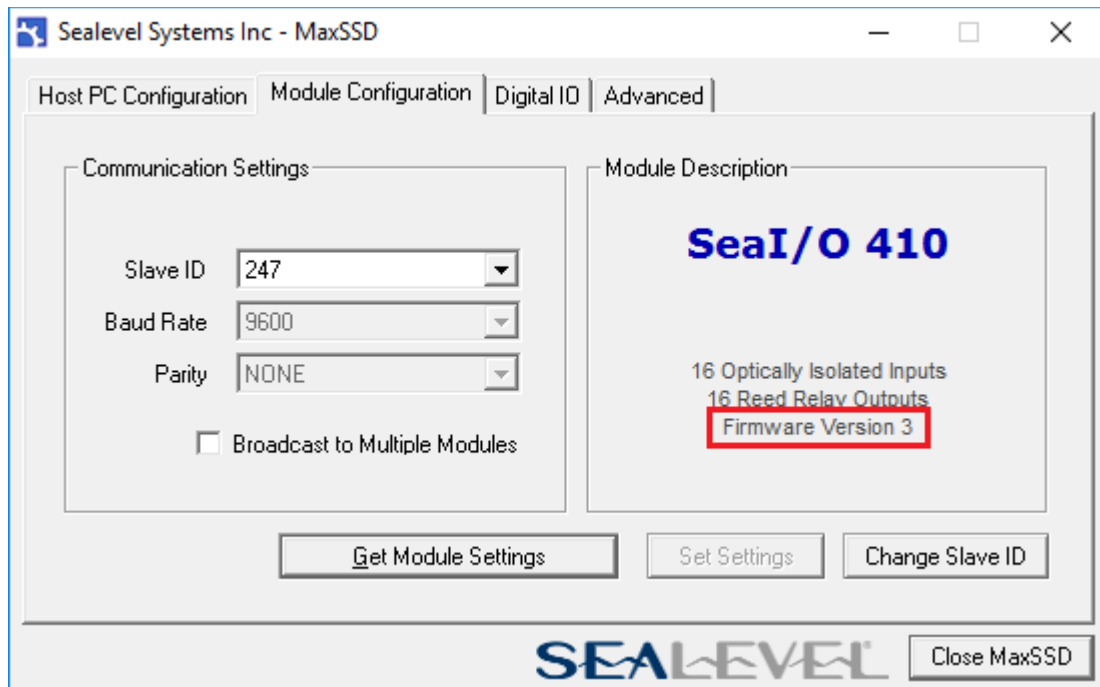
Contact your network administrator if you are unsure of the proper network settings to choose. If a DHCP server is available, select the “Enable DHCP Configuration” checkbox. Otherwise, complete the network settings and click the “Recover Module” button to complete the configuration changes.

Proceed with configuring expansion modules, explained in the previous section.

## Advanced Module Features

### Advanced Feature Capability

The initial version of the firmware does not support these Advanced Features. These units will report their version number as “1”. Starting with version “2” support for these Advanced Features was implemented. You may determine the version of your Seal/O device using the MODBUS command FUNC\_SEAMAX\_GET\_EXTENDED\_INFO (0x66), or by viewing the device info in MaxSSD, shown below.



In addition, the following modules do not support the Advanced Features:

1. 462
2. 463
3. 470

## Module Firmware Upgrading

This section describes the process for upgrading the firmware of the expansion Seal/O modules. The Wireless modules contain an additional wireless networking engine that may be updated as well. See *Configuring a Wireless Module / Device* section above for directions on upgrading the Wireless engine subsystem of Wireless modules.

If a newer version of expansion module firmware is available, it is possible to upgrade the firmware in the unit. This can be done through the same port that is used to do normal communications with the unit. The exception is when the unit is used with a wireless connection. In this case, the unit must be directly connected to the programming computer.

Since there is required interaction between the programming PC and the Seal/O module being programmed, this must be done in a situation where only one Seal/O module is connected to the programming computer.

Once you have the new programming file – this will be a file with a name similar to your Seal/O model number with an extension of “.hex.” As an example, if you have a Seal/O 420 style module, the programming file name would be “420E.hex”.

When you are provided the file to be programmed, you will also receive the programming program. The name of this program is SealOCU.exe.

## Procedure

Since Seal/OCU.exe must be executed from a command prompt, the easiest way to use it is to copy Seal/OCU.exe and the hex file (in this example it is 420E.hex) to a subdirectory you create. For this example, we will create a subdirectory called c:\SealOcu.

Click on Start, then click Run and type “cmd” (without the quotation marks and hit enter. You will then see a command prompt (c:\documents and settings\name>).

Type

```
Cd \SealOcu and then press Enter
```

At this point, we assume the Seal/O 420 unit is set for 9600 baud and address 247 (the default if the rotary switch is in position 0).

If you are connected either through a RS-232, RS-485, or USB connection then when the command calls for nnn, you substitute your com port number. Note that it MUST be 3 digits. Therefore, if your com port is com5, you will enter 005. The command for this is therefore:

```
SealOcu /c=005 /b=9600 /a=247 420e.hex
```

If you are connected through an Ethernet connection then when the command calls for iii.iii.iii.iii you substitute the unit’s IP address. Note that each group of numbers MUST be 3 digits. Therefore, if your IP address is 192.168.42.11, you will enter 192.168.042.011. The command for this is therefore:

```
SealOcu /i=192.168.042.011 /a=247 420e.hex
```

The first thing the Seal/O unit will do is to erase all of its flash memory (with the exception of a small loader for the firmware). It will then start flashing all three lights rapidly indicating it requires downloading. Once the download starts, one light will flash as data is downloaded. Once the download is complete, the green light will remain on. At this point, simply unplug power to the unit and when power is re-applied, you should be operational with the new software.

In the event something about the download failed, the red light should stay on. In this case, simply power down the unit and power it back up. It should now be flashing all three lights rapidly. Simply perform the SealOcu command as described above.



The above should only be performed if you (1) really feel the update is required and (2) you feel confident in your ability to perform the update. Once the firmware has been erased, you must either be able to re-program it locally or send it back to SeaLevel Systems, Inc. for reprogramming.

## Disabling the Rotary Address Switch & Limit Software Address Range Selection



Disabling the Rotary Address Switch and Limiting Software Address Range Selection is not available on older Seal/O units (Before Firmware Version 2). In addition, the following modules do not support it.

- 462
- 463
- 470

As noted earlier, rotating the rotary switch from a non-zero address to the address zero position will reset the unit to the default state of address 247 and 9600 baud. There are many situations where this is not desirable. In the event you wish to disable the rotary switch or simply limit the range of software selectable addresses that may be set, you can do so by sending the “WriteMultipleRegisters (function 0x16)” MODBUS command to the unit. Address 300 (decimal) should contain the low order byte of the lowest address the unit will accept. Address 301 will contain the high order byte. Once this command has been issued, the rotary switch will be completely ignored by the firmware.

To reset the unit to “normal” operation, you can issue the MODBUS “Broadcast Reset Message (function 0x19).

This setting can also be configured through MaxSSD under the “Range Configuration” tab, shown below on the next page.

## Limiting Expansion Port Communications Data Rate Selection



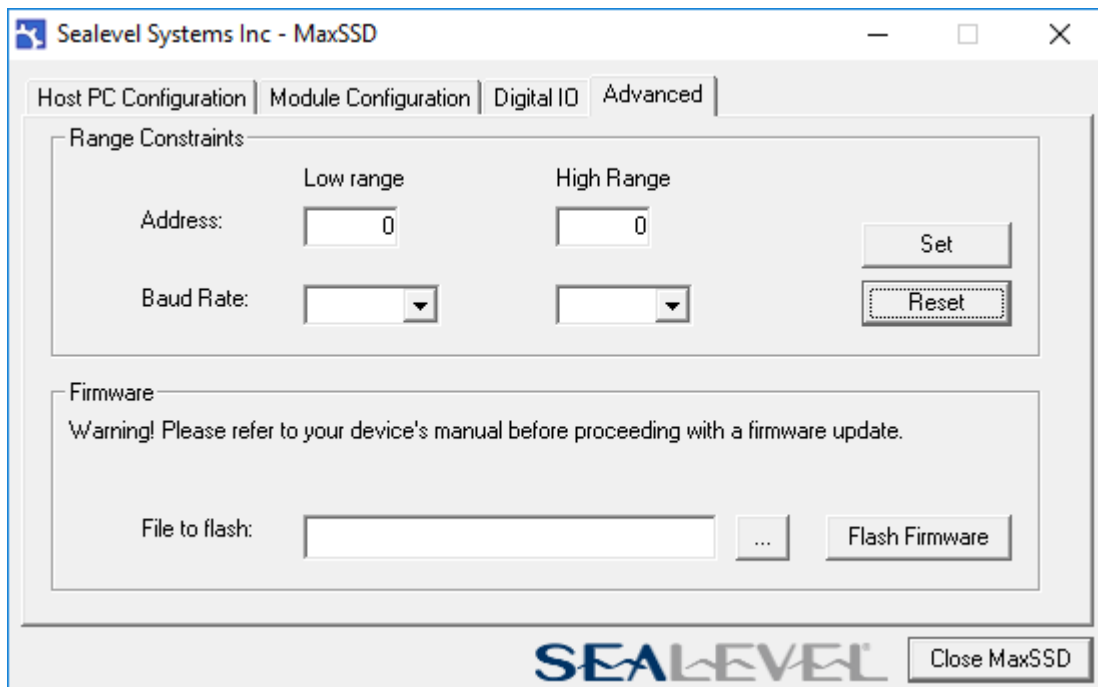
Limiting Expansion Port Communications Data Rate Selection is not available on older Seal/O units (Before Firmware Version 2). In addition, the following modules do not support it:

- 462
- 463
- 470

There are situations where it is desirable to limit the range of allowable data rates or lock down the unit to one specific data rate. This can be performed by sending the “WriteMultipleRegisters (function 0x16)” MODBUS command to the unit. Address 302 (decimal) should contain the low order byte of the lower data rate the unit will accept. Address 303 will contain the high order byte. Note that this command does not cause the rotary switch to be ignored. Therefore, the rotary switch can be used to reset the defaults range and set the data rate back to 9600. If this is not desirable, then you can either set the data rate limitation and then set the address range to prevent the rotary switch from resetting to defaults or you can write to locations 300 through 303 in one “WriteMultipleRegisters” command.

To reset the unit to “normal” operation, you can issue the MODBUS “Reset Range Settings” (function 0x19).

This setting can also be configured through MaxSSD under the “Advanced” tab, shown below.



## Seal/O-463 Ribbon Cable Installation

A copy of these instructions is included with the Seal/O-463 module and can also be downloaded from the Seal/O-463 product page on the Sealevel website.






Do not perform these instructions with the power connected. Be sure to follow proper ESD procedures by grounding yourself and the Seal/O module.

### What you will need



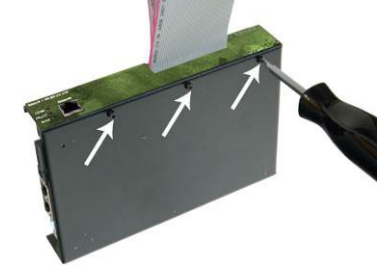



- Seal/O-463 module
- Phillips head screwdriver
- Slotted screwdriver
- 50-pin IDC ribbon cable\* (up to four)

### \* Ribbon cable accessories available

- CA167 – 40" IDC 50-pin to IDC 50-pin ribbon cable
- CA197 – 18" IDC 50-pin to IDC 50-pin ribbon cable
- CA135 – 40" IDC 50-pin to 50-pin edge connector ribbon cable

<p><b>Step 1</b></p> <p>Remove the terminal block from the left side and then remove the two black screws from each side of the module as shown in the image.</p>	
<p><b>Step 2</b></p> <p>On the front right side of the module, wedge a slotted screwdriver between the top and bottom halves as shown. Pry upwards – a pem in the top half must clear the metal lip in the bottom half of the enclosure.</p>	
<p><b>Step 3</b></p> <p>Remove the two screws from the metal strain relief, as shown.</p>	



<p><b>Step 4</b></p> <p>Remove the three screws from the bottom of the module and remove the front plate.</p>	
<p><b>Step 5</b></p> <p>Install up to four industry standard ribbon cables in the 50-pin header connectors. A list of optional cable part numbers is listed on the previous page.</p>	
<p><b>Step 6</b></p> <p>Replace the front plate and install the three screws in the bottom of the module as shown.</p>	
<p><b>Step 7</b></p> <p>Replace the metal strain relief. Start both screws and tighten only until snug. Do not over-tighten.</p>	
<p><b>Step 8</b></p> <p>Replace the top half by starting it on the left side over the connectors and then snapping the right side down into place. Be careful not to pinch your fingers. Replace both screws on each side and then replace the terminal block on the left side.</p>	
<p><b>Step 9</b></p> <p>Continue with the installation of the Seal/O-463 module. The Seal/O Hardware Description section of this manual contains information on TTL applications and optional accessories. The SeaMAX Application Suite section walks you through setting up the hardware address (Slave ID) and software installation.</p>	

## Seal/O-470 Jumper and Dipswitch Settings



The Seal/O-470 module ships factory configured with the D/A outputs set for 0-10V and current loop mode on the A/D inputs disabled. If you need to enable current loop mode or set the D/A outputs to 0-5V, you will need to open the enclosure and access the jumpers (shown on the next page).



Do not perform these instructions with the power connected. Be sure to follow proper ESD procedures by grounding yourself and the Seal/O module.

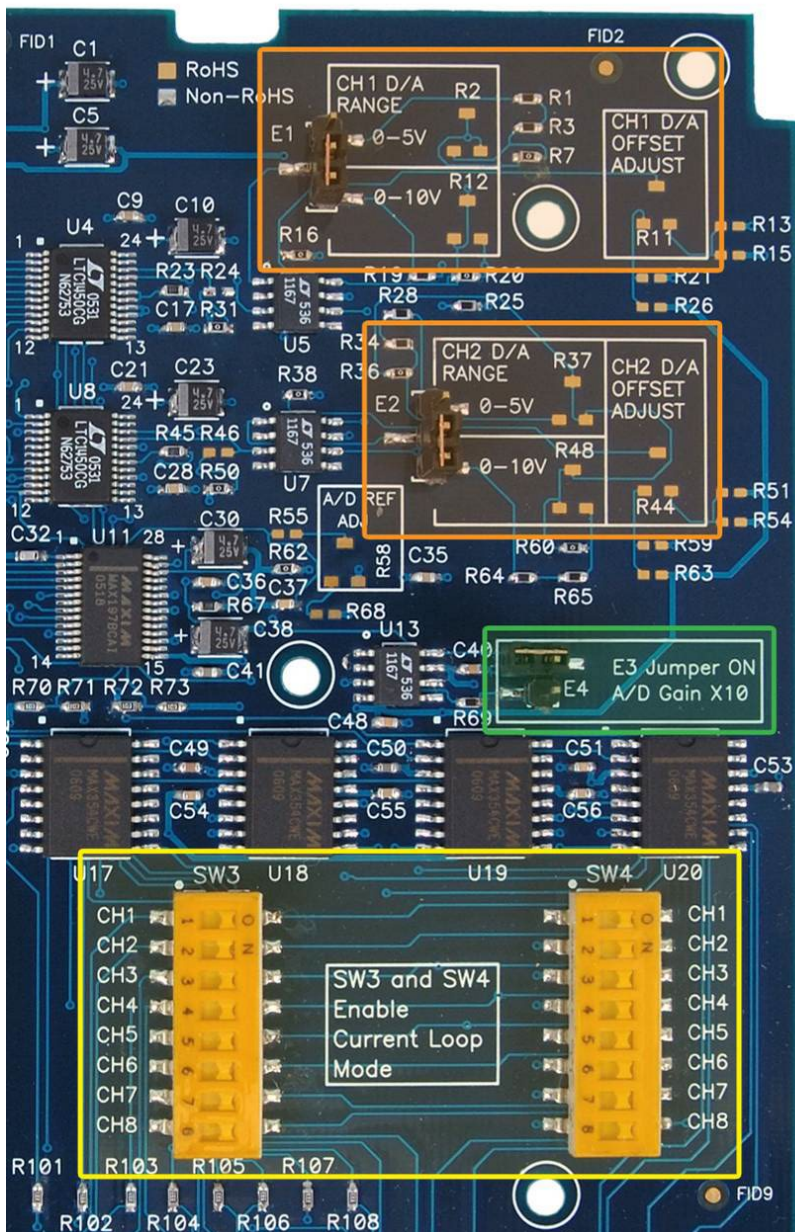
### What you will need

- Seal/O-470 module
- Phillips head screwdriver
- Slotted screwdriver

<p><b>Step 1</b></p> <p>Remove the terminal block from the left side and then remove the two black screws from each side of the module as shown in the image.</p>	
<p><b>Step 2</b></p> <p>On the front right side of the module, wedge a slotted screwdriver between the top and bottom halves as shown. Pry upwards – a pem in the top half must clear the metal lip in the bottom half of the enclosure.</p> <p>Jumpers and dipswitch locations are shown on the following page.</p>	

## Seal/O-470 Jumper Locations

This detail image of the right side of the Seal/O-470 circuit board shows the locations of the user configurable jumpers and dipswitches. Refer to the following pages for instructions on properly configuring the jumpers and switches. The colored boxes are shown here for clarity and are not visible on the actual circuit board.



## D/A Settings

The (E1) and (E2) jumpers (shown in the orange boxes on the previous page) configure the D/A outputs for 0-5V or 0-10V. Both channels can be configured independently. The D/A outputs do not support negative voltages. You must also set the correct output voltage in your application or MaxSSD. Refer to the SeaMAX Application Suite section of this manual for help configuring software to work with the Seal/O-470.

## A/D 10X Gain

The A/D 10X gain (E3) jumper (shown in the green box on the previous page) is disabled at the factory. Position the hardware jumper on both pins to enable this functionality, which allows smaller voltages to be measured more accurately (e.g., a 0-1V input signal can be measured more accurately by enabling the 10x hardware gain jumper and setting the Seal/O-470 A/D input channel for 0-10V range). You can also set the A/D input channel for 0-5V to sense voltages smaller than 0.5V.

When the jumper is enabled, the “10X Hardware Gain” checkbox will also be enabled on the A/D Inputs tab in MaxSSD. Refer to the SeaMAX Application Suite section of this manual for information on using MaxSSD.

## A/D and Current Loop Dipswitches

The (SW3) and (SW4) dipswitches (shown in the yellow box on the previous page) configure the A/D inputs for current loop mode and are disabled at the factory. Since current loop mode is differential, the corresponding dipswitch on both (SW3) and (SW4) should be properly set (e.g., ‘CH1’ on both dipswitches needs to be set to ‘ON’ to enable current loop mode).

**SW3** – enables the current-loop sensing resistor

**SW4** – ties the other half of connection to ground

## Seal/O-570 Dipswitch Settings



The Seal/O-570 module ships factory configured with the analog inputs set for voltage input. If you need to enable thermistor mode, you will need to open the enclosure and access dipswitch SW5 (shown on the next page).



Do not perform these instructions with the power connected. Be sure to follow proper ESD procedures by grounding yourself and the Seal/O module.

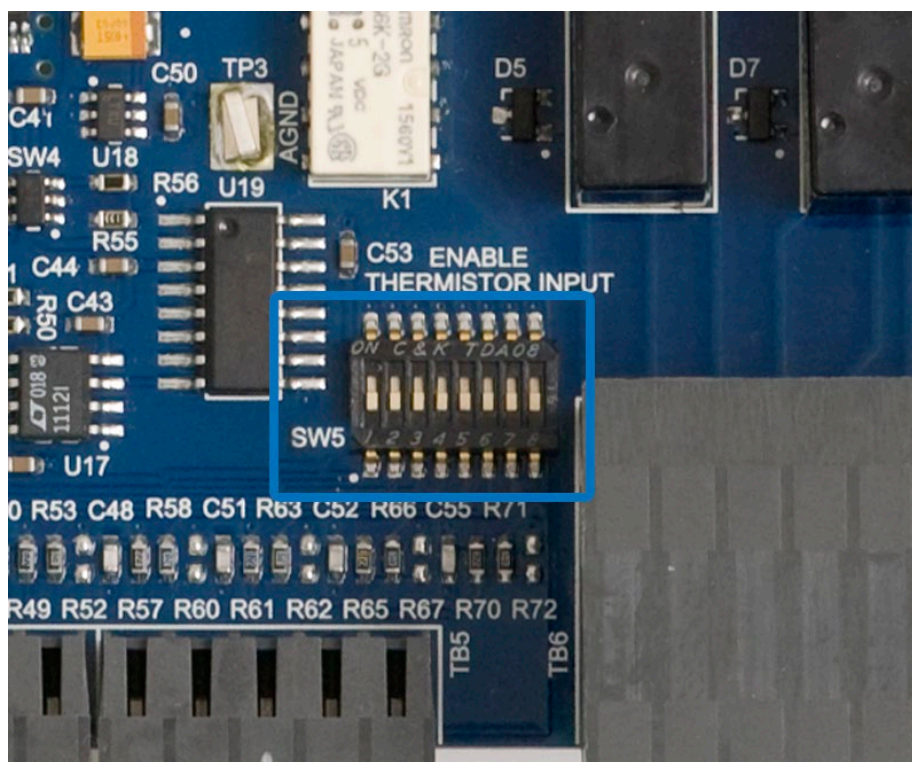
### What you will need

- Seal/O-570 module
- Phillips head screwdriver
- Slotted screwdriver

<p><b>Step 1</b></p> <p>Remove the terminal block from the left side and then remove the two black screws from each side of the module as shown in the image.</p>	
<p><b>Step 2</b></p> <p>On the front right side of the module, wedge a slotted screwdriver between the top and bottom halves as shown. Pry upwards – a pem in the top half must clear the metal lip in the bottom half of the enclosure.</p> <p>Dipswitch locations are shown on the following page.</p>	

## Thermistor Switch location

On the Seal/O-570 PCB, switch 5 (SW5) allows each of the eight A/D channels to be individually configured for a thermistor by moving the corresponding channel selector (1-8) to the "ON" position. This will apply a bias voltage of +5V through a 10K Ohm resistor. Connect the thermistor between the input and ground reference on the Seal/O-570's terminal block connector. This will create a voltage divider and as the resistance of the thermistor changes so will the voltage read by the application. Please reference the data sheet of the chosen thermistor to calculate the measured temperature.



# Wiring Options

## Seal/O Pass-Through Connector

All Seal/O modules include two RS-485 pass-through connectors on the left side of the unit that are internally connected to the same pins on the screw terminals. This offers two convenient options for adding additional expansion modules.

For connecting several Seal/O modules together in a “stack,” all N-series expansion modules ship with an expansion and strap kit (Part# KT122) that includes four metal straps, four #4-40 screws, and a 5’ RJ45 RS-485 interconnect cable (Part# CA239). The metal straps allow you to securely connect multiple Seal/O modules together. The interconnect cable can be used to connect Seal/O modules together via the RJ45 pass-through connectors, providing an easy method to cascade RS-485 signals and power from one module to the next.

For expansion modules that are less than ten feet from a base unit, a standard RJ45 CAT5 patch cable (“straight-through”) may be used. For Seal/O modules greater than ten feet apart, use twisted-pair cable connecting the data lines to the screw terminals instead. If RJ45 connectors are preferred, be sure to connect only the data lines (pins 4 and 5).



When using standard CAT5 patch cables to connect modules less than ten feet apart, ensure the cables are wired “straight-through.”

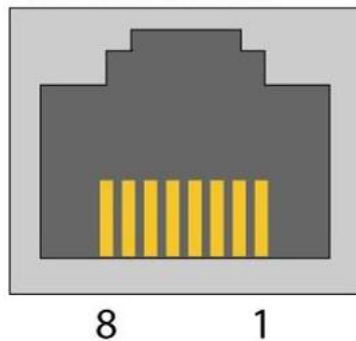


Do not connect network crossover cables to the pass-through connectors, else damage to equipment may result.



Modules greater than ten feet apart must have separate power supplies. Refer to the Power Options section of this manual for recommendations.

**RJ45 (RS-485 IN/OUT)  
Pass-Thru Connector**



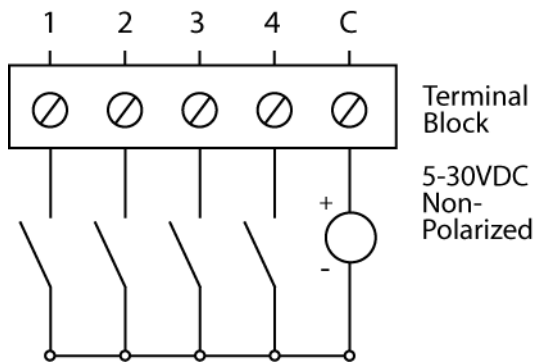
**Pin Out**

Pin #	Signal
1	9-30 VDC Source
2	9-30 VDC Source
3	Not connected
4	485+
5	485-
6	Common (GND)
7	Common (GND)
8	Common (GND)

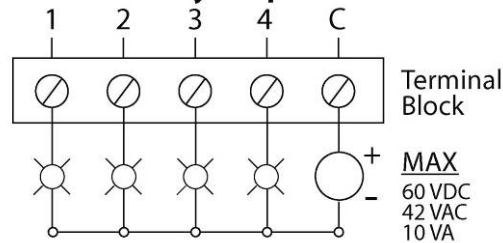
## I/O Wiring – Seal/O-410, 420, 430, 440, and 450 Modules

Optically isolated inputs are arranged such that each group of four shares a single common. The four I/O points and shared common are connected via a five-position removable screw terminal. Input voltage range is 5-30VDC. Like the inputs, each group of four Reed relays also shares a single common and connects via a five-position removable screw terminal. Form C Relay outputs are arranged such that each group of two relays shares a common. The NC and NO contacts of each relay along with the common are brought out via a five-position removable screw terminal.

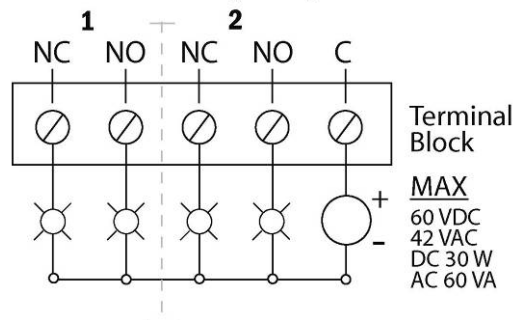
### Optically Isolated Inputs



### Reed Relay Outputs



### Form C Relay Output





## I/O Wiring – Seal/O-462 and 463 Modules

The Seal/O-462 and Seal/O-463 use 74ABT245 octal bi-directional transceivers to provide TTL input/output capabilities and can sink 64mA and source 32mA. Each bit is pulled to +5V through a 10K ohm pull-up resistor to ensure each bit is at a known state when not driven. The maximum output power is +5V @ 1A (5W).

### Seal/O-462 DB-78F Connectors

The Seal/O-462's 96 digital I/O channels are brought out to two DB-78 Female connectors on the front of the enclosure (pinout shown below). Each connector provides 48 bits of digital I/O divided into six eight-bit ports. Each port may be individually configured via software command as an input or an output.

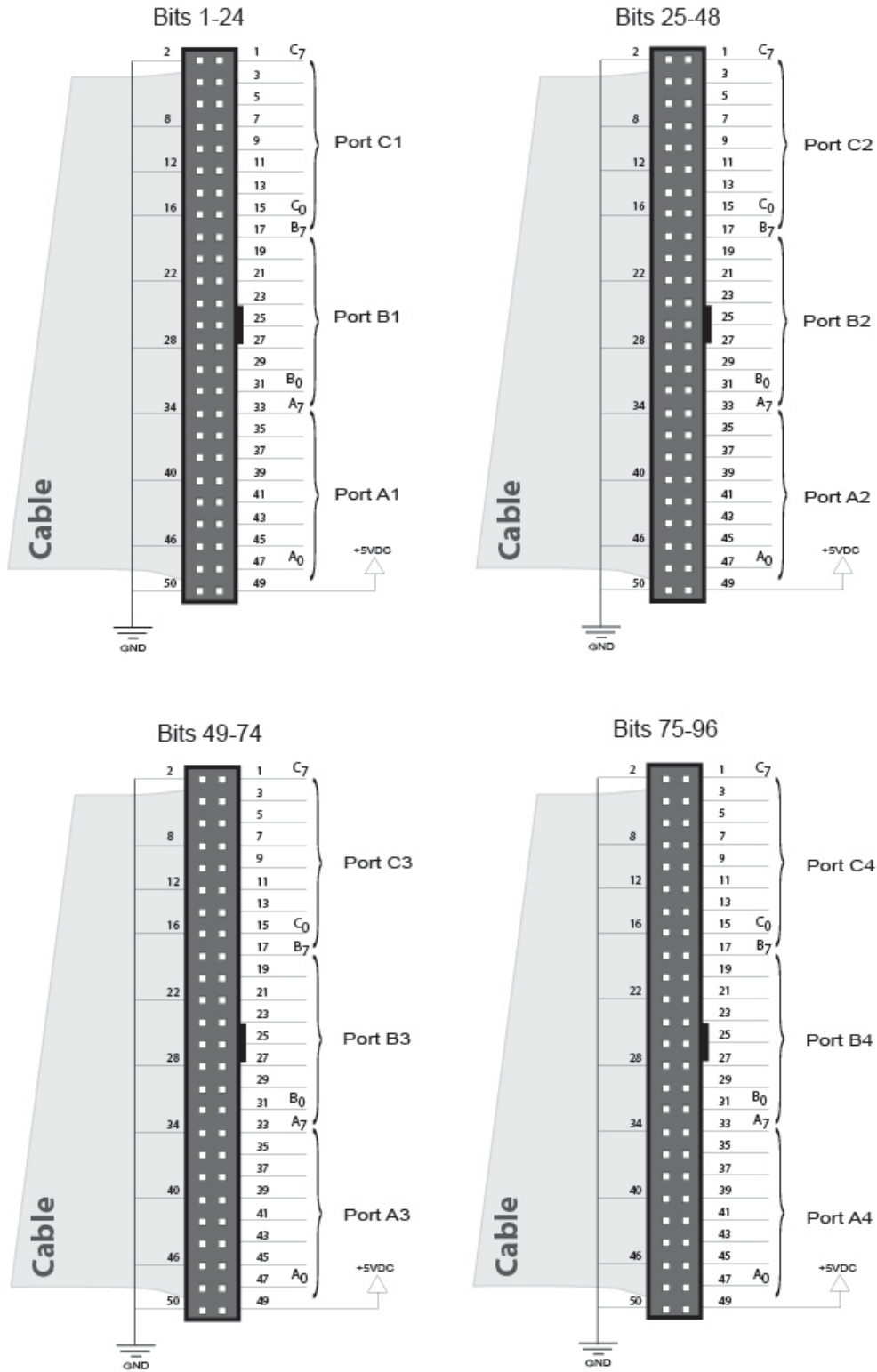
Bits 1-48						
Bits	A1	B1	C1	A2	B2	C2
D0	75	38	18	10	30	2
D1	76	37	17	9	29	1
D2	77	36	16	8	28	22
D3	78	35	15	7	27	21
D4	59	34	14	6	26	40
D5	39	33	13	5	25	60
D6	20	32	12	4	24	61
D7	19	31	11	3	23	62

Bits 49-96						
Bits	A3	B3	C3	A4	B4	C4
D0	75	38	18	10	30	2
D1	76	37	17	9	29	1
D2	77	36	16	8	28	22
D3	78	35	15	7	27	21
D4	59	34	14	6	26	40
D5	39	33	13	5	25	60
D6	20	32	12	4	24	61
D7	19	31	11	3	23	62

Power & Commons	
+5V	63, 74
Commons	41 – 58, 64 – 73

# Seal/O-462 Optional Cable (Part# CA237) Pinout

For easy connection to industry-standard solid-state relay racks, Sealevel manufactures a 6' cable, Part# CA237, that terminates the DB-78 to two industry standard 50-pin header connectors. Two cables and a Seal/O unit can be order together as a kit using Part# 462x-KT. The pinout for the two 50-pin headers is shown below.

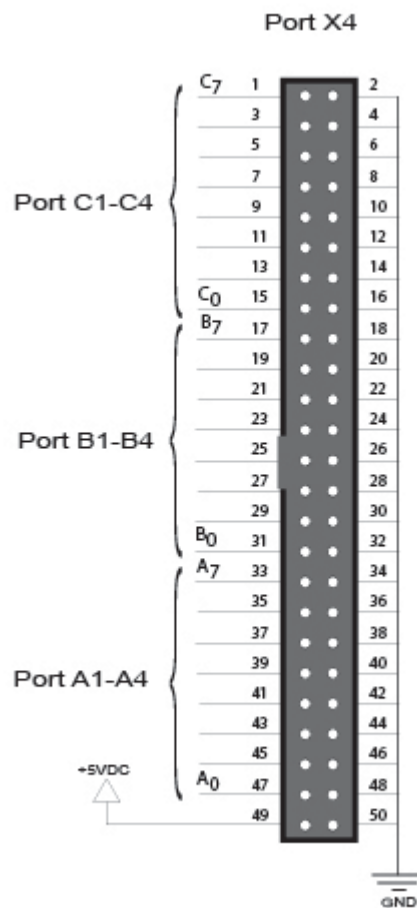


## Seal/O-463 50-Pin Header Connectors

The Seal/O-463's 96 digital I/O channels are accessed via four industry-standard 50-pin header connectors. Each header provides 24 bits of digital I/O divided into three eight-bit ports. Each port may be individually configured via software command as an input or an output.

You will need to open the Seal/O-463's enclosure to access the four header connectors: P2, P3, P4, and P5. The connector designators are silk-screened onto the PCB for easy identification. Once cables are connected to the headers, route them through the opening in the front of the enclosure, attach the included strain-relief bracket to secure the cables and reassemble the enclosure. Refer to the ribbon cable installation instructions included with the Seal/O-463.

Each of the four 50-pin connectors has the following pinout, which is compatible with a wide variety of industry-standard solid-state relay racks:



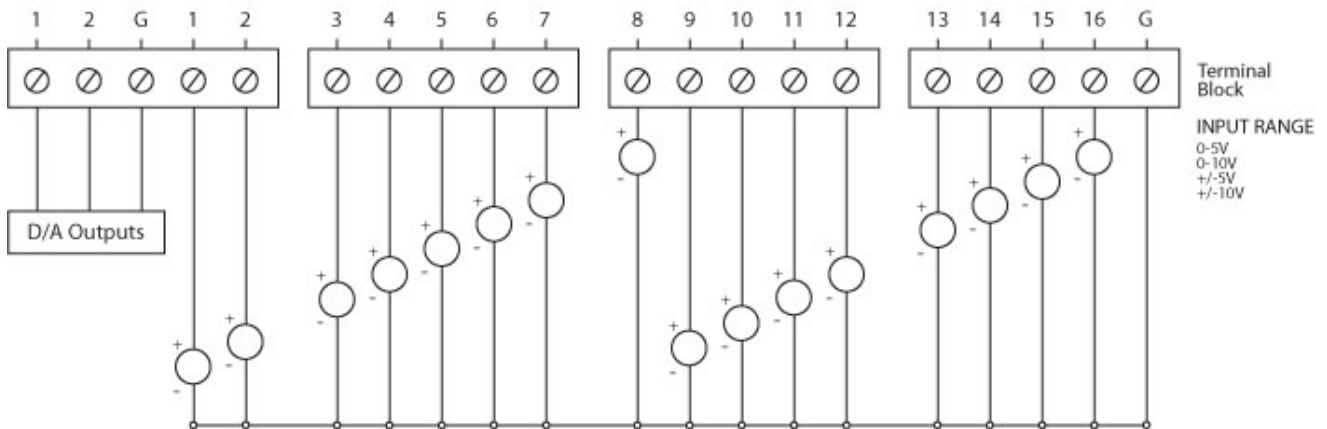
# I/O Wiring – Seal/O-470 Modules

## A/D Wiring Connections

The Seal/O-470 supports single-ended, differential, and current loop A/D inputs. Single-ended and differential modes can be configured in software. Current loop mode requires configuring dipswitches inside the enclosure. Refer to the Hardware Configuration section of this manual for instructions on configuring the current loop dipswitches.

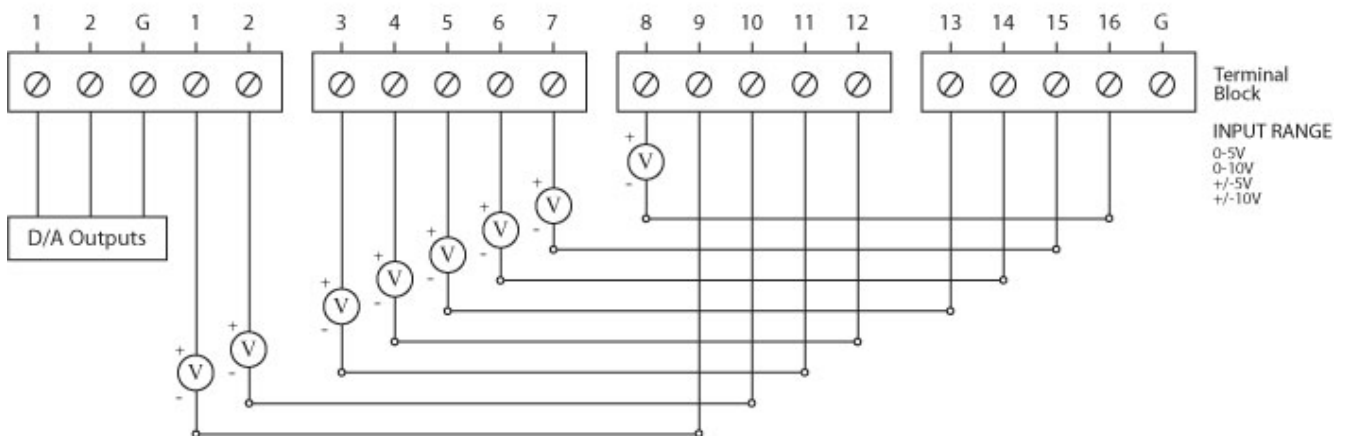
The Seal/O-470 can be configured for up to sixteen 12-bit single-ended A/D inputs. Each input is referenced to a common ground. The user selectable voltage ranges are 0-5V, 0-10V, +/-5V, and +/-10V.

### Sixteen 12-Bit Single-Ended A/D Inputs



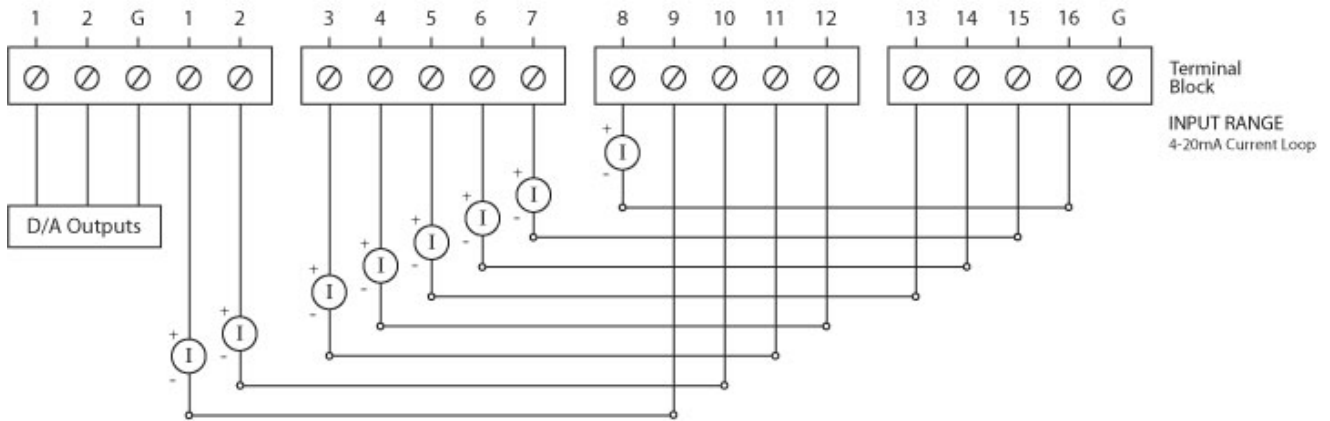
The Seal/O-470 can be configured for up to eight 12-bit differential A/D inputs. The inputs are not referenced to ground. The user selectable voltage ranges are 0-5V, 0-10V, +/-5V, and +/-10V.

### Eight 12-Bit Differential A/D Inputs



The Seal/O-470's A/D channels can also be configured to provide up to eight 12-bit current loop inputs. Each input has two terminals – one positive and one negative. The input current range is 0-20mA for interfacing commonly used 4-20mA devices. The dipswitches inside the enclosure must be properly configured for each current loop input.

**Eight 12-Bit Current Loop A/D Inputs**



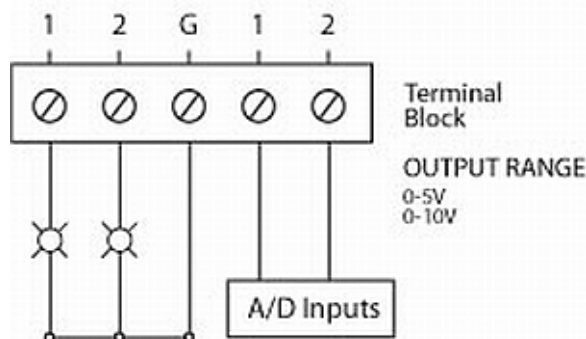
## D/A Wiring Connections

The Seal/O-470 provides two 12-bit D/A output channels, configured for 0-10V.

0-5V mode requires different jumper settings inside the enclosure. Refer to the Hardware Configuration section of this manual for instructions on configuring the D/A jumpers.

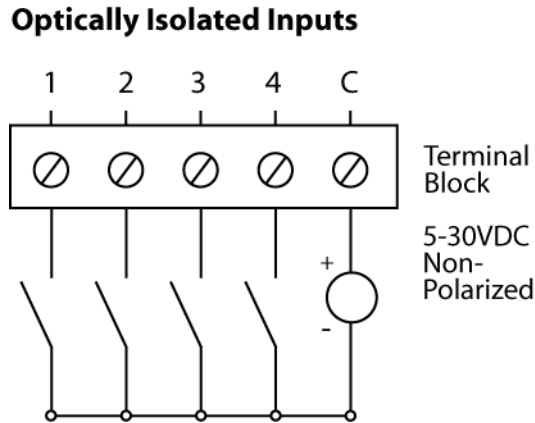
The Seal/O-470 module's D/A output channels can be independently configured for 0-5V or 0-10V. The D/A outputs do not support negative voltages.

**Two 12-Bit Single-Ended D/A Outputs**

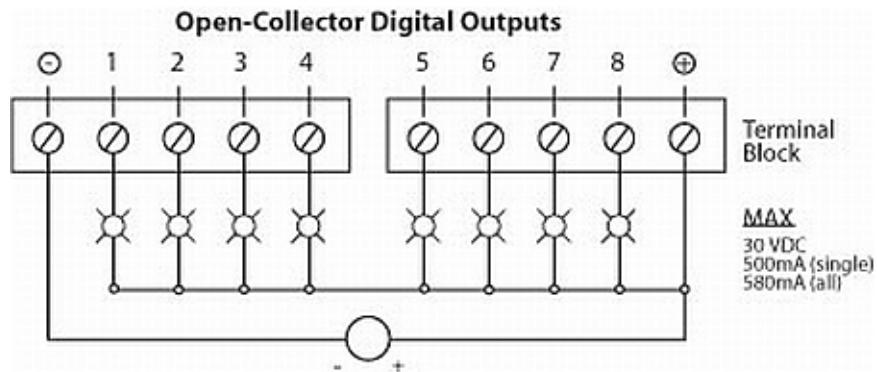


## Digital I/O Wiring Connections

The Seal/O-470 modules include eight optically isolated inputs that are arranged such that each group of four inputs shares a single common. The four I/O points and shared common are connected via a five-position removable screw terminal.

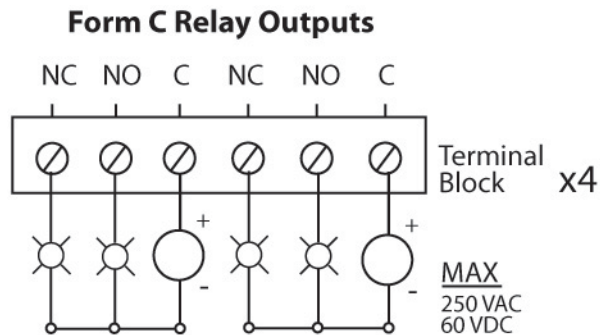
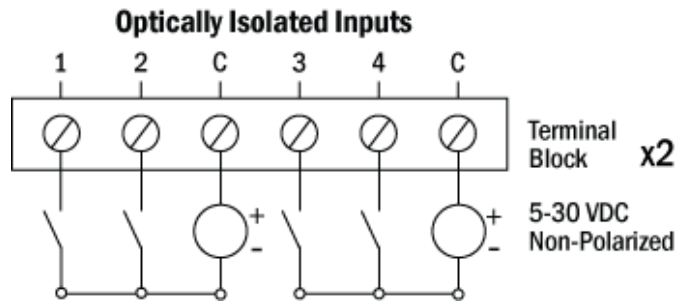


The Seal/O-470 modules provide eight open-collector digital outputs. The outputs do not source any current and must be connected to an external power source, max 30VDC. The outputs act as a switch and the circuit is open until energized. When the output circuit is energized in software, the output sinks the current to ground, closing the circuit.



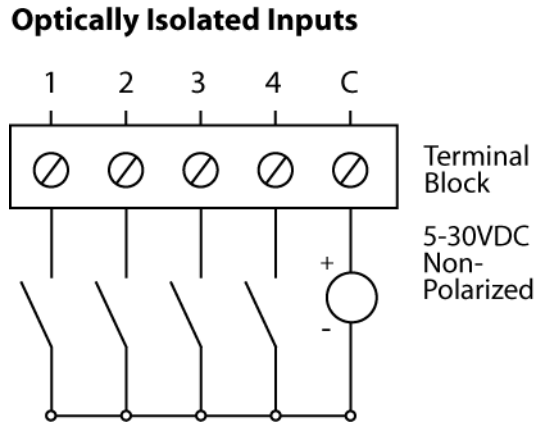
## I/O Wiring – Seal/O-520 Modules

Optically isolated inputs are arranged such that each group of two shares a single common. The four I/O points and shared common are connected via a six-position removable screw terminal. Input voltage range is 5-30VDC. Unlike the inputs, each Form C relay has an individual common. The NC and NO contacts of each relay along with the commons are brought out via a six-position removable screw terminal.

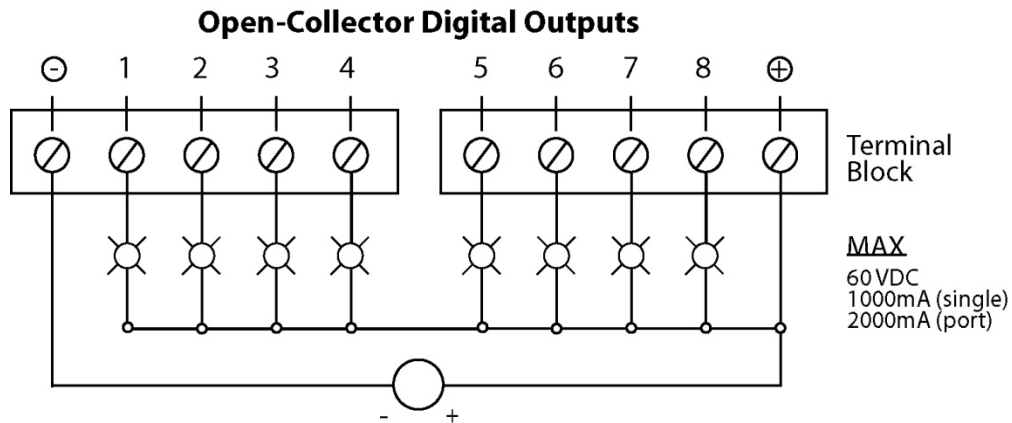


## I/O Wiring – Seal/O-530 and 540 Modules

The Seal/O-530 modules include 16 optically isolated inputs that are arranged such that each group of four inputs shares a single common. The four I/O points and shared common are connected via a five-position removable screw terminal.



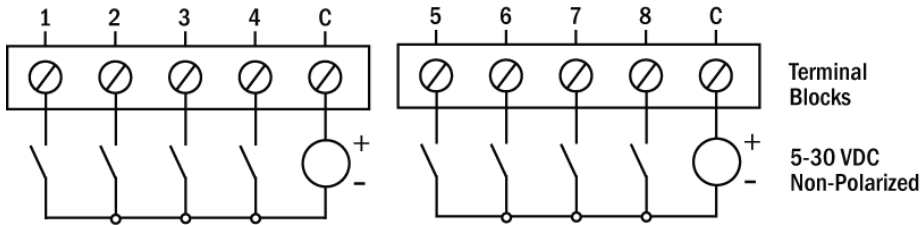
The Seal/O-530 and 540 modules provide 16 or 32 open-collector outputs. The outputs do not source any current and must be connected to an external power source, max 60VDC, through the Vin pin locations. Each output acts as a switch and the circuit is open until energized. When the output circuit is energized in software, the output sinks the current to ground, closing the circuit.



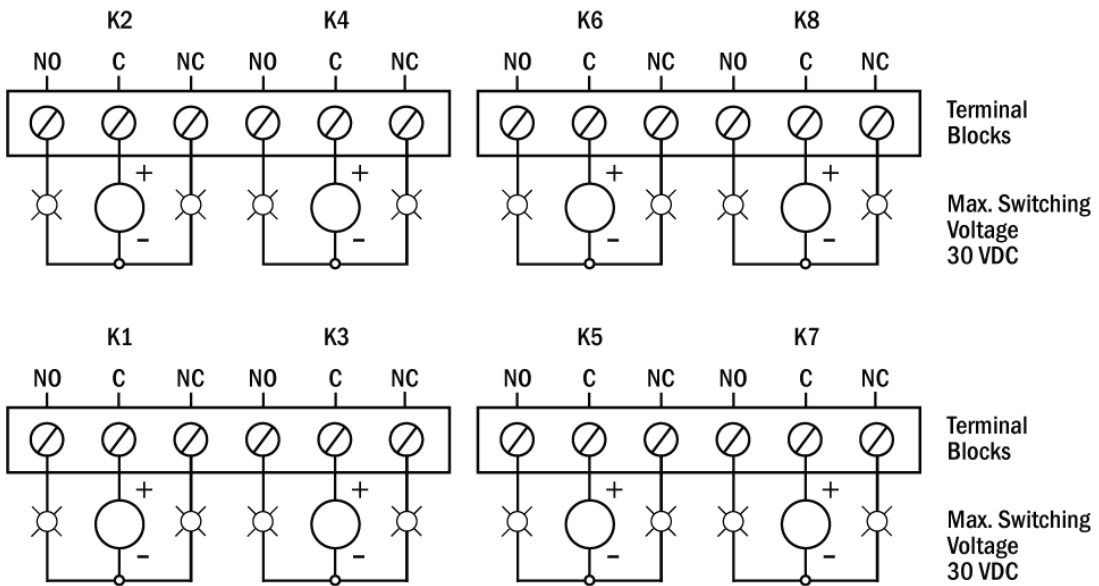


## SeaI/O 570 Digital Wiring Diagrams

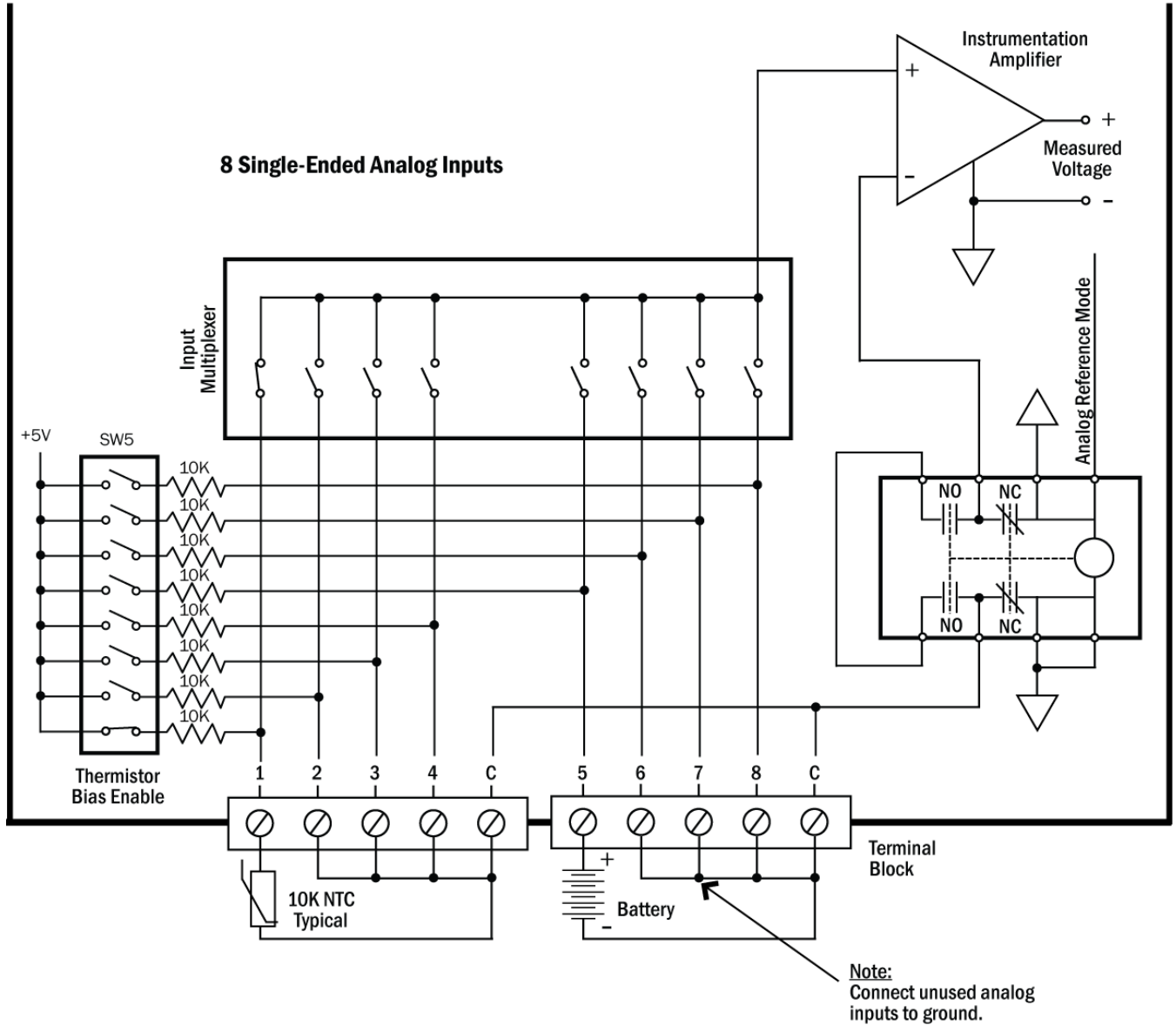
### 8 Optically Isolated Inputs



### 8 Form C Relay Outputs



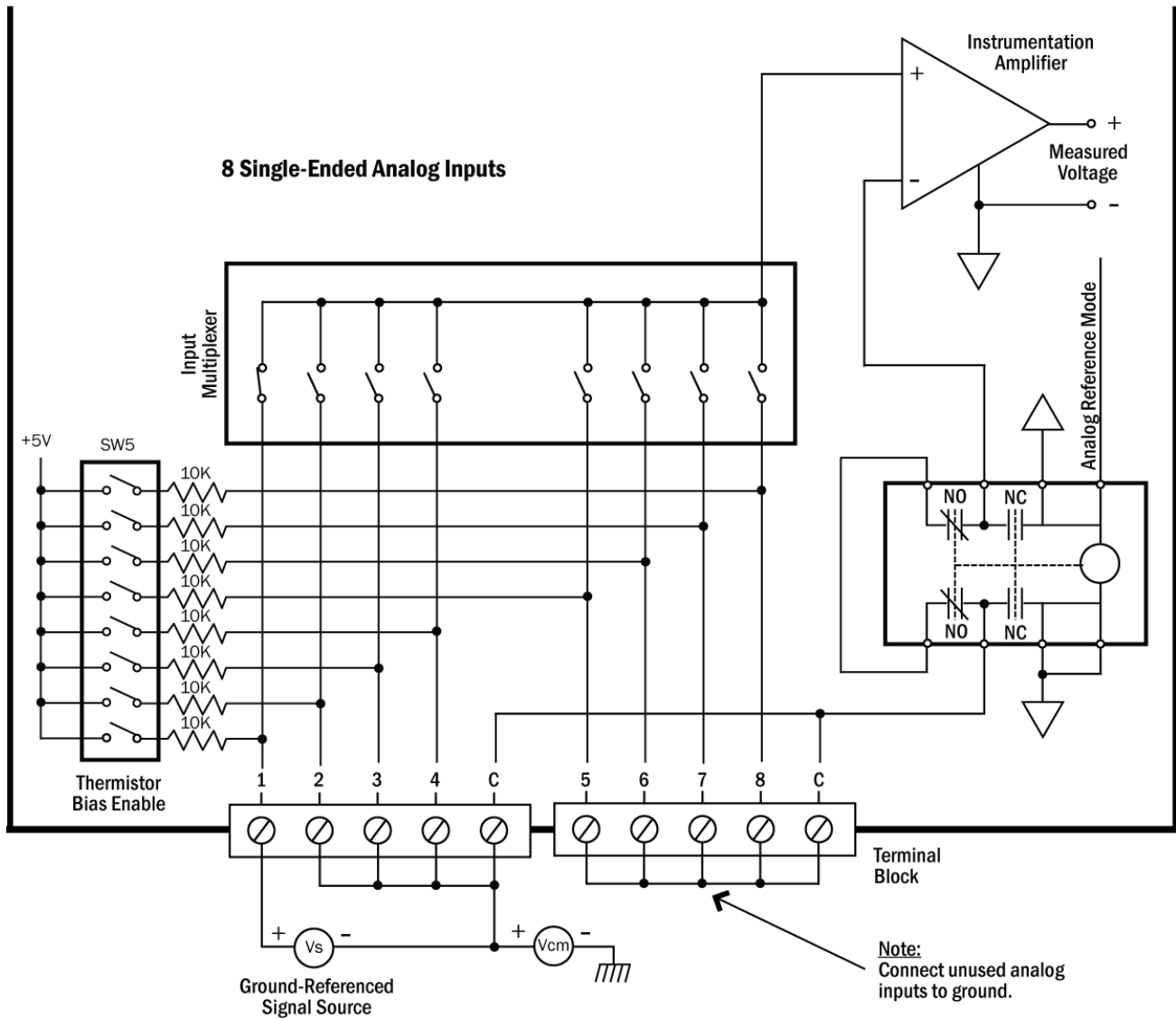
## SeaI/O-570 Analog Wiring Diagram Floating/Non-Referenced Input



### Floating Signal Sources

A floating, non-referenced signal source is a signal that is not connected in any fashion to the building ground system but rather has an isolated ground reference point. Examples of floating signal sources are outputs of transformers, thermistors, battery-powered devices, and opto-isolator outputs. To measure these devices the ground reference point must be connected to the analog ground reference of the Seal/O-570 as shown in the above schematic. Without this connection, the signals will float, and an accurate measurement is not possible. The Seal/O-570 is configured to measure floating, non-referenced signals by default.

## SeaI/O-570 Analog Wiring Diagram Ground-Referenced Input

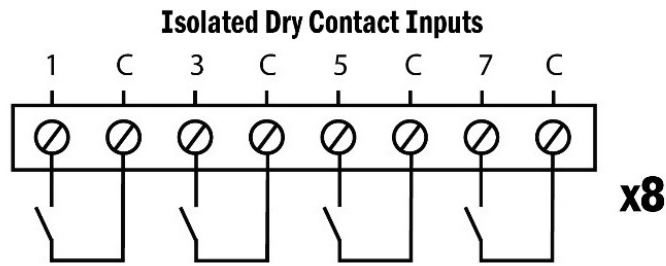


### Ground-Referenced Signal Sources

A ground-referenced signal is a signal that is connected in some fashion to the building system ground and therefore is already connected to a common ground point with respect to the Seal/O-570. Examples would be non-isolated outputs of instruments and devices that are connected to the same building power system as the Seal/O-570. The difference in ground potential between two devices connected to the same building power system is typically 1mV to 100mV and can be much higher with improper power system grounding. This ground potential difference can show up as a measurement error without using the proper measurement connections. The above connection scheme is designed to eliminate this ground potential difference from the measurement.

## I/O Wiring – Seal/O-580 Modules

The 580E/580PoE optically isolated dry-contact inputs are arranged such that each input has a dedicated common terminal. The Common terminals are all connected to one isolated ground on board. Each dry contact (no-voltage) input detects a contact closure between two externally wired connections. Four (4) input/common pairs are connected via an eight-position removable screw terminal connector, and there are eight (8) connectors for a total of 32 inputs.

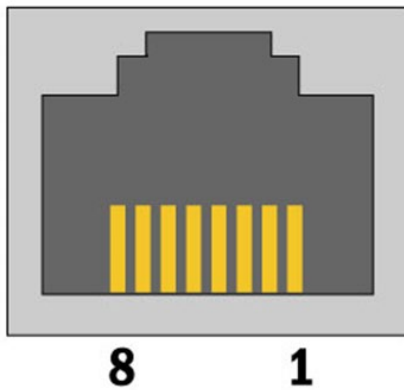


# Connector Pin Outs

## Seal/O (RS-232) S-Series Modules

Seal/O S-Series (RS-232) modules have an RJ45 connector on the face of the enclosure. Each S-series module includes a kit (Part# KT119) to convert the RJ45 RS-232 pin out to a standard DB9 RS-232 pin out. The kit ships with a DB-9F to RJ45 modular adapter (Part# DB109) with RS-232 pin out and a standard 7' CAT5 patch cable (Part# CA246). This kit allows Seal/O S-series modules to be easily connected to a standard DB9 RS-232 serial port. For other interfacing options, the RJ45 serial pin out is shown below.

**RJ45 RS-232 (DCE)  
Serial Connector**



**Pin Out**

Pin #	Signal
1	TD
2	RD
3	CTS
4	N/C
5	N/C
6	RTS
7	N/C
8	GND

# Mounting Options

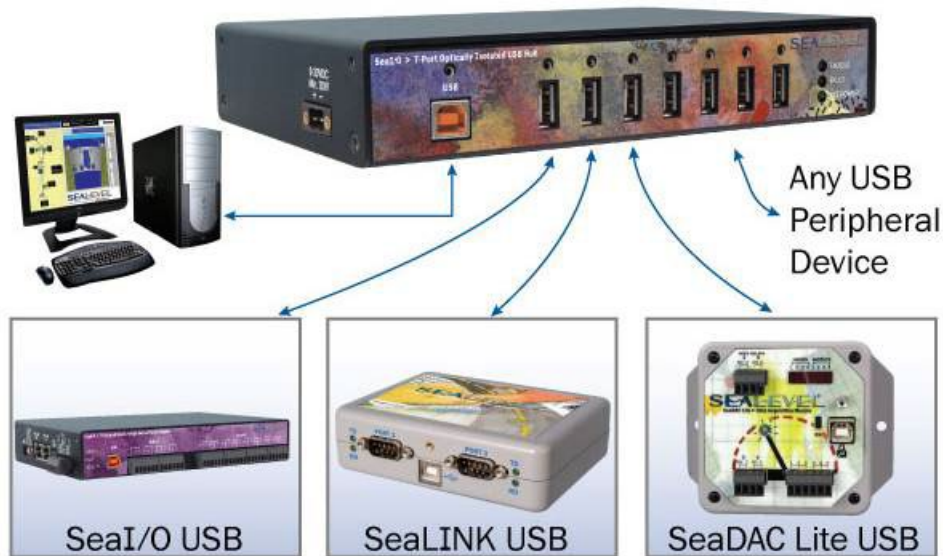
Seal/O Mounting Kit (Part# KT122)	
<p>Expanding your I/O count is as simple as adding N-Series expansion units to the Base Seal/O module (or other N-series modules). Each N-Series module includes an expansion and strap kit (Part# KT122), which includes a 5" CAT5 interconnect cable, four metal straps, and four #4-40 metal screws. The image shows a Seal/O stack configuration using the expansion kit.</p>	
DIN Rail Mounting (Part# DR104)	
<p>All Seal/O modules are available with a factory-installed DIN-rail mounting clip. Alternatively, DIN-rail mounting clips can be ordered as a field upgrade kit (Part# DR104). The bracket with clip is easily attached using two included #4-40 Phillips head machine screws.</p>	
Table/Wall Mounting (Part# KT123)	
<p>The flush mount bracket kit (Part# KT123) is extremely versatile and can be used to mount Seal/O modules from the top, bottom, or back edge. Individual modules or a stack of Seal/O modules can be mounted flat to a tabletop, underneath a counter, or inside an enclosure. The kit can be used to mount Seal/O modules flat to a wall, or along the back edge, similar to DIN-rail mounting options.</p>	
Universal Mounting Bracket (Part# KT125)	
<p>The universal mounting bracket (Part# KT125) can be used as a "backpack" to mount power supplies and other devices to Seal/O modules. The bracket has holes for both 75mm and 100mm VESA mounting options. The universal arrangement of slots and holes accept bolt sizes to M4 and can be used for virtually any mounting configuration.</p>	

# SeaLATCH™ USB





Seal/O USB modules integrate a SeaLATCH USB port, which is fully compatible with standard USB cables. When used with the included USB cable (Part# CA356) with a SeaLATCH USB type B connector, the metal thumbscrew provides a secure metal-to-metal connection to the module and prevents accidental cable disconnection.

Sealevel incorporates SeaLATCH locking USB ports on many USB hubs and I/O devices. Accidental cable disconnection is the most common point of failure with USB industrial I/O devices and SeaLATCH cables and connectors prevents that while being fully compatible with standard USB cables.

Examples of the isolated 7-port USB hub (Part# Seal/O-270U) with SeaLATCH equipped Sealevel I/O devices are shown below.



# SeaLATCH Locking USB Cables

SeaLATCH USB Connectors	
<p>SeaLATCH locking USB cables integrate a small thumbscrew into each USB connector. SeaLATCH USB cables are fully interchangeable with standard USB cables. The thumbscrew provides a secure metal-to-metal connection preventing accidental disconnection. SeaLATCH USB cables are available in three configurations.</p>	<p style="text-align: center;"><b>SeaLATCH USB Connectors</b></p>  <p style="text-align: center;"><b>Type B</b>                      <b>Type A</b></p>
72" USB cable with SeaLATCH type B and standard type A connectors (Part# CA356)	
<p>The CA356 is a 72" USB cable with a SeaLATCH type B connector and a standard USB type A connector. This cable provides a secure connection between Sealevel products with a SeaLATCH type B port and legacy USB type A ports. The CA356 is included with Sealevel devices with a SeaLATCH type B port.</p>	 <p style="text-align: center;"><b>CA356</b></p>
72" USB cable with both SeaLATCH type A and type B USB connectors (Part# CA332)	
<p>The CA332 is a 72" cable with both SeaLATCH type A and B connectors. This cable secures both ends of the cable to devices with SeaLATCH USB ports and offers complete protection against accidental cable disconnection.</p>	 <p style="text-align: center;"><b>CA332</b></p>
72" USB cable with standard type B and SeaLATCH type A connectors (Part# CA355)	
<p>The CA355 is a 72" cable with a standard USB type B and a SeaLATCH type A connector. This cable provides a secure connection between legacy USB devices and Sealevel products with a SeaLATCH type A port, such as the isolated USB hub (Part# 270U).</p>	 <p style="text-align: center;"><b>CA355</b></p>



# Accessories

## Power Supplies

### US Options

Seal/O 120VAC to 24VDC @ 500mA Wall Mount Power Supply (Part# TR109)	
<p>The TR109 is a wall wart style power supply capable of powering one or more Seal/O modules at 120VAC input and 24VDC output at 500mA.</p>	
100-250VAC @ 2.7A Desktop Power Supply with US Power Cord (Part# TR108-US)	
<p>Perfect for powering a Relio R1100 system or a stack of Seal/O modules, the TR108-US is a desktop style power supply rated for 100-250VAC input and 24VDC output at 2.7 amps. It includes a US power cord (Part# CA248).</p>	
100-240VAC to 24VDC @ 300mA DIN Rail Power Supply (Part# PS101)	
<p>The PS101 is an AC/DC DIN rail mount power supply that accepts 100-240VAC input and outputs 24VDC at up to 300mA (7.5W).</p>	
100-240VAC to 24VDC @ 2.1A DIN Rail Power Supply (Part# PS103)	
<p>The PS103 is an AC/DC DIN rail mount power supply that accepts 100-240VAC input and outputs 24VDC at up to 2.1A (50W).</p>	

## International Options

<b>100-250VAC @ 2.7A Desktop Power Supply with US Power Cord (Part# TR108-US) (Part# TR108-AU)</b>	
100-250VAC to 24VDC 36W 1.5A "Desktop" Power Supply with 1.3mm Plug, includes (CA187) "AS 3112" 6' Australian Power Cord	
<b>100-250VAC @ 2.7A Desktop Power Supply with US Power Cord (Part# TR108-US) (Part# TR108-EC)</b>	
100-250VAC to 24VDC 36W 1.5A "Desktop" Power Supply with 1.3mm Plug, includes (CA188) "Schuko" 6' Continental European Power Cord	
<b>100-250VAC @ 2.7A Desktop Power Supply with US Power Cord (Part# TR108-US) (Part# TR108-UK)</b>	
100-250VAC to 24VDC 36W 1.5A "Desktop" Power Supply with 1.3mm Plug, includes (CA189) "BS 1363" 6' UK Power Cord	

**100-250VAC @ 2.7A Desktop Power Supply with US Power Cord (Part# TR108-US) (Part# TR108)**

100-250VAC to 24VDC 36W 1.5A "Desktop" Power Supply with 1.3mm Plug, requires IEC country-specific Power Cord



## Mounting Options

**Expansion and Strap Kit (Part# KT122)**

Included with all N-series expansion modules, the KT122 expansion and strap kit has four metal straps, four #4-40 screws, and a CA239 RS-485 interconnect cable. The metal straps allow you to connect a Relio R1100 system and multiple Seal/O modules together in a stack. The CA239 interconnect cable can be used to connect two Seal/O modules together via the RJ45 connectors. This provides an easy method to cascade RS-485 signals, and power and ground from one module to the next.



**Flush Mount Bracket Kit (Part# KT123)**

The KT123 flush mount bracket kit is extremely versatile and can be used to mount Relio R1000 computers and Seal/O modules from the top, bottom, or back edge. R1000 systems and Seal/O modules can be mounted flat to a tabletop, underneath a counter, or inside an enclosure. The KT123 can be used to mount the enclosures flat to a wall, or along the back edge, similar to DIN-rail mounting options.

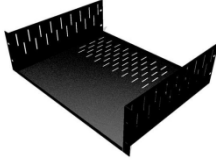


**Universal Mounting Bracket (VESA) (Part# KT125)**

The KT125 universal mounting bracket is a versatile way to mount Seal/O data acquisition modules to walls and under counters. It can also be used as a backpack to mount other devices to Seal/O modules and Relio R1000 systems. The KT125 has holes for both 75mm and 100mm VESA mounting options. The universal arrangement of slots and holes accept bolt sizes to M4 and can be used for virtually any mounting configuration.



## Mounting Options, Continued

DIN Rail Mounting Clips (Part# DR104)	
<p>The DR104 DIN rail assembly mounts to the rear of Seal/O modules, Relio R1000-series embedded I/O servers, and the SeaLINK 4103 Ethernet serial adapter. The rugged plastic clip securely mounts products to all common profiles of 35mm DIN rail (i.e., Top Hat rail) and is compatible with A-series mounting rails. For convenient field installation and service, the DR104 locates Sealevel I/O devices near the industrial control equipment on the DIN rail.</p>	
1U 19 Inch Rack Tray (Part# RK1U)	
<p>The RK1U is a 1U rack tray for conveniently mounting your Sealevel I/O products. Perfect for Seal/O modules, Ethernet serial servers, and USB SeaLINK devices. The tray is standard 19 inches wide, 1U (1.75 inches) tall, and 10.7 inches deep. The rack tray mounts using existing rack mounting hardware supplied with the rack.</p>	
2U 19 Inch Rack Tray (Part# RK2U)	
<p>Use this rack tray for conveniently mounting your Sealevel I/O products. Perfect for Seal/O modules, Ethernet serial servers, and USB SeaLINK devices. Adjustable clamp, Part# RK-CLAMP, is available to hold equipment firmly in place. The tray is standard 19 inches wide, 2U (3.5 inches) tall, and 14.5 inches deep. The rack tray mounts using existing rack mounting hardware supplied with the rack.</p>	
19 Inch Rack Tray Clamp (Part# RK-CLAMP)	
<p>Adjustable clamp used to secure Sealevel I/O products in 2U, 3U and 4U 19 rack trays. Includes mounting hardware.</p>	

## Cabling Options

RS-485 Interconnect Cable, 5 in Length (Part# CA239)	
<p>The CA239 interconnect cable can be used to connect two or more Seal/O modules together, or a Relio R1100 system to a Seal/O expansion module via the RJ45 connectors. This provides an easy method to cascade RS-485 signals, and power and ground from one enclosure to the next. The CA239 is included in the KT122 expansion and strap kit which provides an easy method to strap two or more Seal/O modules together in a stack.</p>	
CAT5 Patch Cable, 7' in Length (Part# CA246)	
<p>7' Blue Ethernet Patch Cable. Can be used to connect Seal/O Ethernet modules to a hub (included with 4xxE Seal/O Ethernet modules). Can be used to connect Seal/O RS-232 modules to both Sealevel and standard RS-232 serial ports (included with 4xxS Seal/O RS-232 modules as part of p/n: KT119). Optionally, it can be used as an RS-485 interconnect cable to cascade additional Seal/O modules via the RS-485 In/Out ports on the side of Seal/O modules</p>	
CAT5 Crossover Cable, 7' in Length (Part# CA251)	
<p>7' Yellow Crossover Cable. Used to connect Seal/O Ethernet modules directly to a computer's Ethernet port without having to go through a hub or switch</p>	
CAT5 Patch Cable, 10' in Length (Part# CA247)	
<p>10' Blue Ethernet Patch Cable. Can be used to connect Seal/O Ethernet modules to a hub or can be used as an RS-485 interconnect cable to cascade Seal/O modules via the RS-485 In/Out ports.</p>	

## Cabling Options, Continued

<b>USB Type A to USB Type B, 72 in Length - Device Cable (Part# CA179)</b>	
<p>The CA179 is a 72 USB device cable that connects USB peripherals with a Type B connector to the Type A connector on a host computer. The CA179 is USB 2.0 compliant and is compatible with USB 1.1 and 1.0 devices.</p>	
<b>SeaLATCH USB Type A to SeaLATCH USB Type B Device Cable, 72 in Length (Part# CA332)</b>	
<p>The CA332 is a USB device cable with SeaLATCH USB type A and type B connectors. This optional 72 inch cable is ideal for use with Sealevel's optically isolated 7-port USB hub (Seal/O-270U). SeaLATCH USB cables are fully interchangeable with standard USB ports.</p>	
<b>USB Type A to SeaLATCH USB Type B Device Cable, 72 in Length (Part# CA356)</b>	
<p>The CA356 is a USB device cable with a SeaLATCH USB type B connector and standard USB type A connector. This 72 inch cable is included with all Sealevel USB products with an integrated SeaLATCH USB type B port. SeaLATCH USB cables are fully interchangeable with standard USB cables.</p>	
<b>SeaLATCH USB Type A to USB Type B Device Cable, 72 in Length (Part# CA355)</b>	
<p>The CA355 is a USB device cable with a SeaLATCH USB type A connector and standard type B connector. This optional 72 inch cable is ideal for use with Sealevel's optically isolated 7-port USB hub (Seal/O-270U). SeaLATCH USB cables are fully interchangeable with standard USB cables.</p>	

## Cabling Options, Continued

### Seal/O DB9 Female to RJ45 Adapter (RS-232 Pinout) and CAT5 7' Patch Cable (Blue) (Par# KT119)

The KT119 includes a modular adapter with a DB9 female connector that plugs directly into any standard DB9 RS-232 serial port and converts it to an RJ45 connection. Designed to easily connect Seal/O RS-232 devices to any standard serial port via standard CAT5 patch cables. The KT119 ships with one DB9 female to RJ45 adapter, Item # DB109, and a 7' CAT5 patch cable, Item # CA246.



### Seal/O DB9 Female to RJ45 Adapter (RS-422 Pinout) and CAT5 7' Patch Cable (Blue) (Part# KT120)

The KT120 includes a modular adapter with a DB9 female connector that plugs directly into any Sealevel RS-422 device and converts it to an RJ45 connection. Designed to easily connect Seal/O RS-485 devices to any Sealevel RS-422 serial port via standard CAT5 patch cables. The KT120 ships with one DB9 female to RJ45 adapter (RS-422 pinout), Item # DB110, and a 7' CAT5 patch cable, Item # CA246.



### Seal/O DB9 Female to RJ45 Adapter (RS-485 Pinout) and CAT5 7' Patch Cable (Blue) (Oart# KT121)

The KT121 includes a modular adapter with a DB9 female connector that plugs directly into any Sealevel DB9 RS-485 serial port and converts it to an RJ45 connection. Designed to easily connect Seal/O RS-485 devices to any Sealevel RS-485 serial port via standard CAT5 patch cables. The KT121 ships with one DB9 female to RJ45 adapter (RS-485 pinout), Item # DB111, and a 7' CAT5 patch cable, Item # CA246.



# Appendix A – Handling Instructions



## SAFETY INSTRUCTIONS

- Read these instructions completely. Keep these instructions.
- Do not use or install this apparatus near water. Clean only with a dry cloth.
- This apparatus is not intended for outdoor use. It is intended for indoor use only.
- This apparatus is not intended for use in hazardous (classified) locations.
- This apparatus has no user serviceable parts inside.
- Install this apparatus in accordance with all local and national electrical wiring codes.

## ESD Warnings

### Electrostatic Discharges (ESD)

A sudden electrostatic discharge can destroy sensitive components. Proper packaging and grounding rules must therefore be observed. Always take the following precautions:

- Transport boards and cards in electrostatically secure containers or bags.
- Keep electrostatically sensitive components in their containers until they arrive at an electrostatically protected workplace.
- Only touch electrostatically sensitive components when you are properly grounded.
- Store electrostatically sensitive components in protective packaging or on anti-static mats.

### Grounding Methods

The following measures help to avoid electrostatic damages to the device:

- Cover workstations with approved antistatic material. Always wear a wrist strap connected to the workplace as well as properly grounded tools and equipment.
- Use antistatic mats, heel straps, or air ionizers for more protection.
- Always handle electrostatically sensitive components by their edge or by their casing.
- Avoid contact with pins, leads, or circuitry.
- Turn off power and input signals before inserting and removing connectors or connecting test equipment.
- Keep the work area free of non-conductive materials such as ordinary plastic assembly aids and Styrofoam.
- Use field service tools such as cutters, screwdrivers, and vacuum cleaners which are conductive.
- Always place drives and boards PCB-assembly-side down on the foam.



# Appendix B – How To Get Assistance

Please refer to: Appendix A – Troubleshooting Guide prior to calling Technical Support.

1. Begin by reading through the Trouble Shooting Guide in Appendix A. If assistance is still needed, please see below.
2. When calling for technical assistance, please have your user manual and current adapter settings. If possible, please have the adapter installed in a computer ready to run diagnostics.
3. Sealevel Systems provides an FAQ section on its web site. Please refer to this to answer many common questions. This section can be found at <http://www.sealevel.com/faq.asp>.
4. Sealevel Systems maintains a web page on the Internet. Our home page address is [www.sealevel.com](http://www.sealevel.com). The latest software updates, and newest manuals are available via our web site.
5. Technical support is available Monday to Friday from 8:00 AM to 5:00 PM Eastern Time. Technical support can be reached at (864) 843-4343.

**RETURN AUTHORIZATION MUST BE OBTAINED FROM SEALEVEL SYSTEMS BEFORE RETURNED MERCHANDISE WILL BE ACCEPTED. AUTHORIZATION CAN BE OBTAINED BY CALLING SEALEVEL SYSTEMS AND REQUESTING A RETURN MERCHANDISE AUTHORIZATION (RMA) NUMBER.**

# Appendix C – Troubleshooting

## **Problem: The Seal/O module starts up with a strange IP address (i.e., 169.254.x.x).**

All Ethernet (E-series) and Wireless (W-series) Seal/O modules are shipped with DHCP enabled. If no DHCP server is available or the DHCP server cannot be reached, Ethernet Seal/O modules default to a random IP address in the range 169.254.x.x. Wireless Seal/O modules default to a random IP address in the range 192.168.0.x. Change the PC's network settings to place both the Seal/O module and PC on the same subnet. Adjust the Seal/O module's IP address and Netmask using the Ethernet Config utility (Start → All Programs → Sealevel SeaMAX → Ethernet Config) installed with SeaMAX. Then restore the PC's network settings.

## **Problem: The Seal/O module is visible in Ethernet Config, but the network settings cannot be changed.**

The Seal/O module is most likely on a different subnet than the PC. The PC's IP address and Netmask must be altered to place both the Seal/O module and the PC within the same subnet. Contact your network administrator for assistance.

## **Problem: The Seal/O module does not show up in Ethernet Config.**

Ethernet and Wireless Seal/O modules are discovered via a UDP broadcast. Verify that any firewall software, such as Windows Firewall, ZoneAlarm, etc., or router settings that would hinder UDP transmissions are disabled.

It is also possible that the Seal/O module may not be discovered if the PC and module are on separate subnets. This may occur if the module's IP address is configured outside the range of the PC's subnet. It can also occur during a failed DHCP discovery. In either case, the "Recover Module" button in Ethernet Config utility may be used to recover the device. Refer to the Hardware Configuration section of this manual for more information.

## **Problem: The rotary switch (ADDR) was used to reset an Ethernet (or Wireless) Seal/O module, but it no longer responds to a 'Get' operation.**

If you reset the Seal/O module by rotating the rotary switch clockwise one full revolution, the RS-485 port will reset to 9600 bps and no parity, but the Ethernet port will remain unaffected.

The broadcast feature in MaxSSD sets the Seal/O module's TCP/IP to RS-485 translation data rate independently of the Seal/O module itself. Therefore, if you have an Ethernet or Wireless Seal/O module and you set the data rate to 115.2K bps via a MaxSSD broadcast command, both the RS-485 port and the Ethernet port will respond thereafter to 115.2K bps, as expected. Using the rotary switch will reset the RS-485 port, but the Ethernet port will still try to communicate at 115.2k bps. To restore communications, broadcast a set data rate and parity command (9600 and no parity) via MaxSSD.

### **Problem: Something is interfering with my wireless Seal/O device.**

This can often be remedied by changing the channel that the wireless device is operating on. To reset the unit to factory defaults and increment the channel, locate the Reset button on the front of the module just above the antenna. Using a small rigid wire (e.g., paperclip), depress and hold the reset button. Power cycle the module by removing the barrel connector or terminal block supplying power to the unit, and then reconnecting the barrel connector or terminal block. Release the reset button and the Seal/O module channel number will increment by one. The LEDs will blink to confirm that the Seal/O module has been reset and is ready to be configured.

The FAQ section of our website answers many common questions. Refer to this helpful resource by visiting [www.sealevel.com/faq.asp](http://www.sealevel.com/faq.asp).

### **Problem: I can see the Seal/O wireless device's access point in the list of nearby wireless networks, but I cannot connect to it.**

The Seal/O wireless module or gateway only allows one client device to be connected to its access point at a time. Ensure all other devices are disconnected from the AP.

If these steps do not solve your problem, please call Sealevel Systems' Technical Support, (864) 843-4343. Our technical support is free and available from 8:00 A.M.- 5:00 P.M. Eastern Time Monday through Friday. For email support contact [support@sealevel.com](mailto:support@sealevel.com).

# Appendix D – Compliance Notices

## Federal Communications Commission (FCC) Statement



This equipment has been tested and found to comply with the limits for Class A digital device, pursuant to Part 15 of the FCC Rules. These limits are designed to provide reasonable protection against harmful interference when the equipment is operated in a commercial environment. This equipment generates, uses, and can radiate radio frequency energy and, if not installed and used in accordance with the instruction manual, may cause harmful interference to radio communications. Operation of this equipment in a residential area is likely to cause harmful interference in such case the user will be required to correct the interference at the user's expense.

## EMC Directive Statement



Products bearing the CE Label fulfill the requirements of the EMC directive (89/336/EEC) and of the low-voltage directive (73/23/EEC) issued by the European Commission. To obey these directives, the following European standards must be met:

- **EN55022 Class A** - "Limits and methods of measurement of radio interference characteristics of information technology equipment"
- **EN55024** - "Information technology equipment Immunity characteristics Limits and methods of measurement".

## United Kingdom Conformity Assessed Statement



Products with UKCA marking are in conformity with the essential requirements of the UK Electromagnetic Compatibility Regulations 2016:

- *Equipment must be designed and manufactured to ensure that the electromagnetic disturbance generated does not exceed the level above which radio and telecommunications equipment cannot operate as intended.*
- *The equipment has a level of immunity to the electromagnetic disturbance to be expected in its intended use which allows it to operate without unacceptable degradation of its intended use.*



This is a Class A Product. In a domestic environment, this product may cause radio interference in which case the user may be required to take adequate measures to prevent or correct the interference.



Always use the cabling provided with this product if possible. If no cable is provided or if an alternate cable is required, use high quality shielded cabling to maintain compliance with FCC/EMC directives.

# Warranty

Sealevel's commitment to providing the best I/O solutions is reflected in the Lifetime Warranty that is standard on all Sealevel manufactured I/O products. Relio™ industrial computers are warranted for a period of two years and the R9 family is warranted for a five year period from date of purchase. We are able to offer this warranty due to our control of manufacturing quality and the historically high reliability of our products in the field. Sealevel products are designed and manufactured at its Liberty, South Carolina facility, allowing direct control over product development, production, burn-in and testing. Sealevel achieved ISO-9001:2015 certification in 2018.

## Warranty Policy

Sealevel Systems, Inc. (hereafter "Sealevel") warrants that the Product shall conform to and perform in accordance with published technical specifications and shall be free of defects in materials and workmanship for the warranty period. In the event of failure, Sealevel will repair or replace the product at Sealevel's sole discretion. Failures resulting from misapplication or misuse of the Product, failure to adhere to any specifications or instructions, or failure resulting from neglect, abuse, accidents, or acts of nature are not covered under this warranty.

Warranty service may be obtained by delivering the Product to Sealevel and providing proof of purchase. Customer agrees to ensure the Product or assume the risk of loss or damage in transit, to prepay shipping charges to Sealevel, and to use the original shipping container or equivalent. Warranty is valid only for original purchaser and is not transferable.

This warranty applies to Sealevel manufactured Product. Product purchased through Sealevel but manufactured by a third party will retain the original manufacturer's warranty.

## Non-Warranty Repair/Retest

Products returned due to damage or misuse and Products retested with no problem found are subject to repair/retest charges. A purchase order or credit card number and authorization must be provided in order to obtain an RMA (Return Merchandise Authorization) number prior to returning Product.

## How to obtain an RMA (Return Merchandise Authorization)

If you need to return a product for warranty or non-warranty repair, you must first obtain an RMA number. Please contact Sealevel Systems, Inc. Technical Support for assistance:

Available	Monday – Friday, 8:00 AM to 5:00PM EST
Phone	864-843-4343
Email	<a href="mailto:support@sealevel.com">support@sealevel.com</a>

## Trademarks

Sealevel Systems, Incorporated acknowledges that all trademarks referenced in this manual are the service mark, trademark, or registered trademark of the respective company.