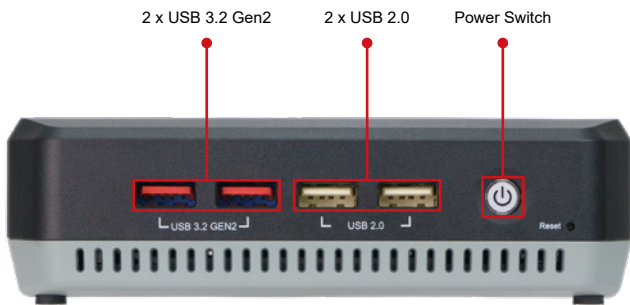


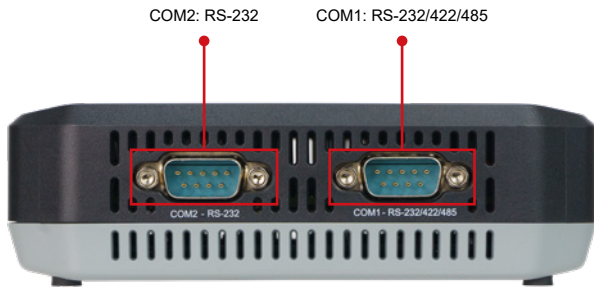
Fully Integrated I/O

Dimensions (Unit: mm)

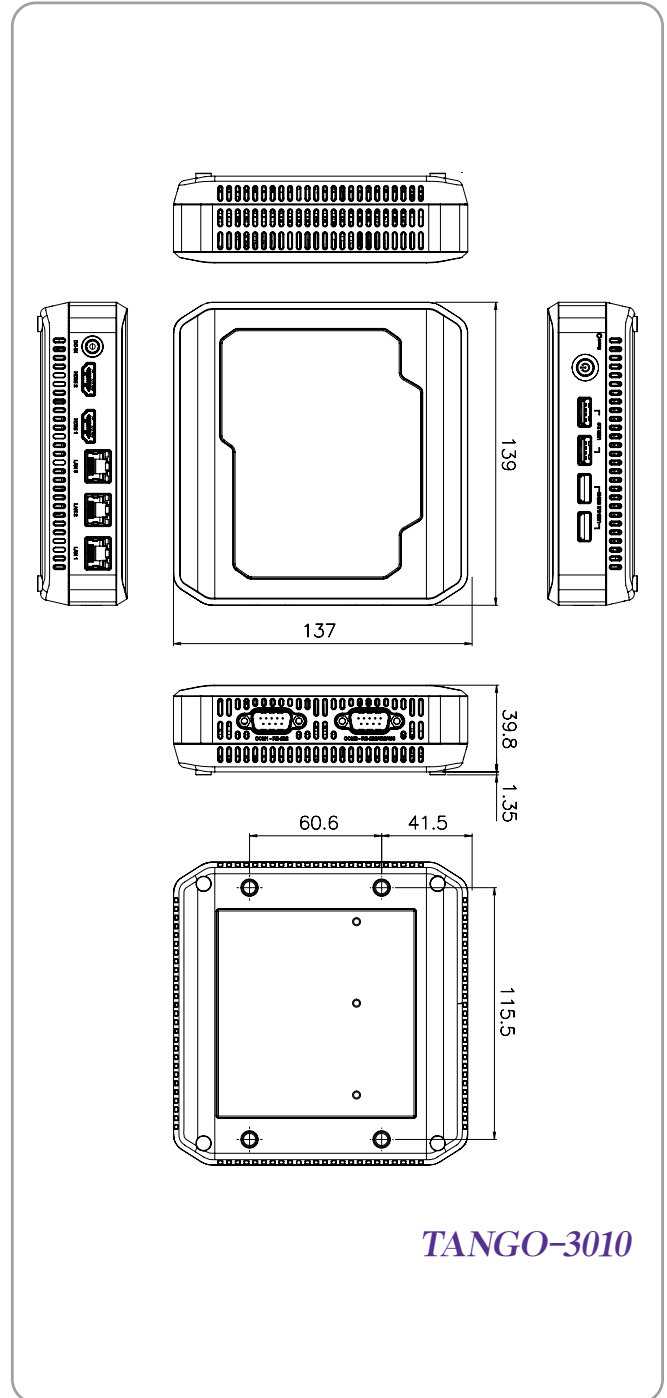
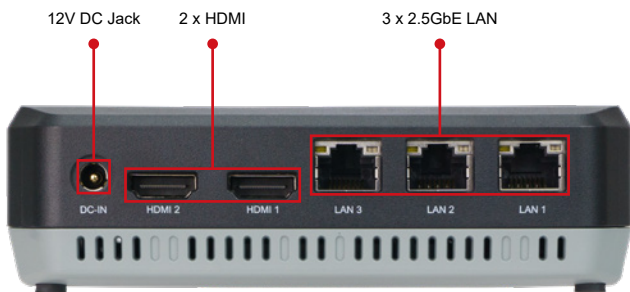
Front View



Side View



Rear View



Ordering Information

Part No.	Description
TANGO-3010-JWC-R10	Fanless System with Intel® Celeron® J6412 2.6 GHz (up to 2.0 GHz, quad core, TDP 10W), 8GB onboard memory, 3 x 2.5GbE LAN, 2 x HDMI, 4 x USB, 12V DC, Wifi-6E, RoHS
TANGO-3010-W10IoT21-E-R10	OS Image with Windows® 10 Enterprise Entry 64-bit 2021 LTSC for TANGO-3010-J6412 Series, with DVD-ROM, RoHS

Packing List

1 x Mounting Screw	1 x VESA Mounting Kit
1 x Adapter	1 x Power Cord