

P156-11TGS

15.6" Panel PC / Intel® Tiger Lake UP3 Processor

Feature

- Front panel IP65-rated, fanless design
- Inside Intel® Tiger Lake UP3 Core i7/i5/i3 / Celeron ULV processors



intel
CELERON

intel
CORE
i3

intel
CORE
i5

intel
CORE
i7

intel
IRIS^{xe}
GRAPHICS

Fanless Design

Dual LAN
2.5G

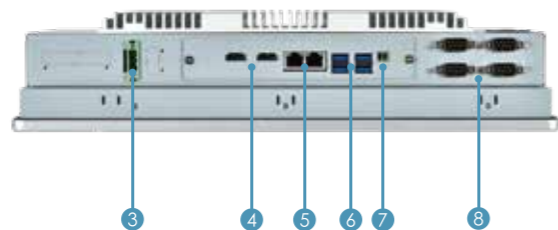
4 COM

IP65 (In front)
dust & water
resistant

P-cap Touch
(Air bounding
with panel)

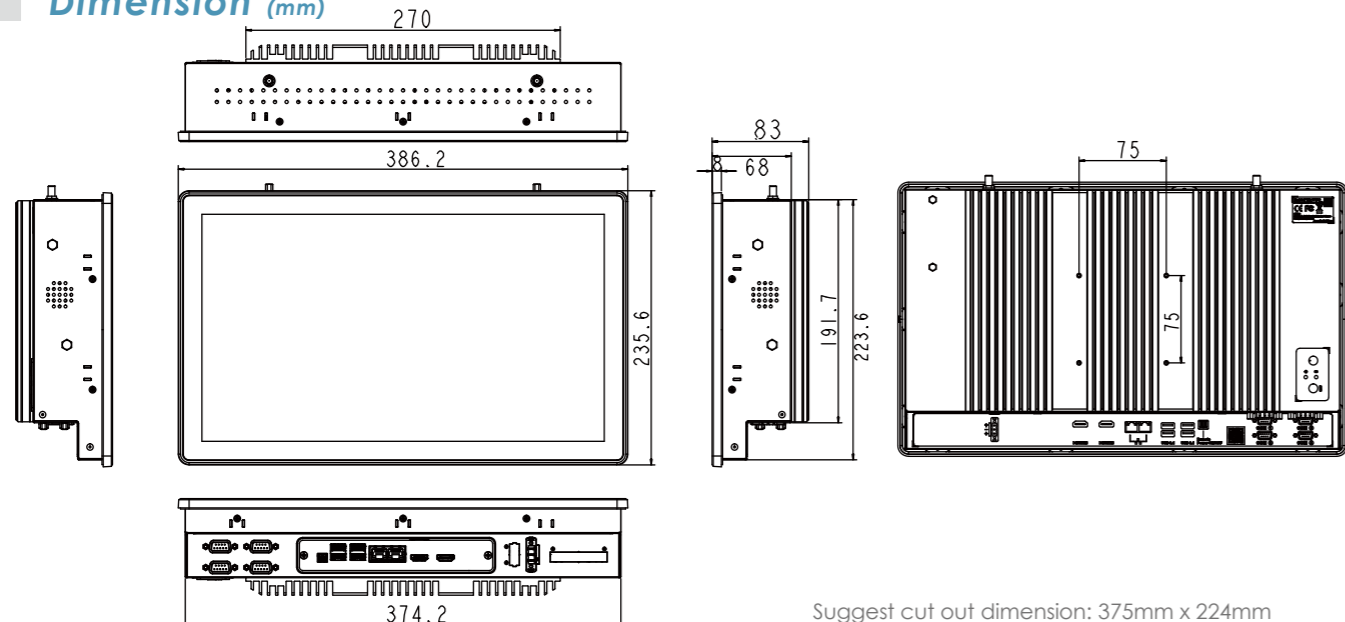
Full
Regulation

I/O Interface



- ① Power
- ② Reset
- ③ DC-in (terminal block)
- ④ HDMI
- ⑤ Giga LAN
- ⑥ USB 3.0
- ⑦ Remote Power on/ off
- ⑧ COM

Dimension (mm)



Suggest cut out dimension: 375mm x 224mm



P156-11TGS Industrial Panel PC

LCD	
Display Type	15.6" TFT-LCD
Max. Resolution	1920 x 1080
Max. Colors	16.2M (8 bit/color)
Luminance	450 cd/m2
Viewing Angle	170°/170°
Led Backlight (Hours)	50000
TOUCH SCREEN	
Type	P-CAP
Touch Screen	True-flat 10 points
SYSTEM	
Processor	Intel® Tiger Lake-UP3 i3-1115G4E (Dual Core, 6MB Cache, up to 3.90 GHz) option: 11th Gen Tiger Lake-UP3 Celeron 6305E / i5-1145G7E / i7-1185G7E
Chipset	Intel® SoC Integrated
System Memory	DDR4 3200MHz, 1 x 260-pin SO-DIMM, Max. 32GB (Non-ECC)
Ethernet	Intel® I219-LM Giga LAN / Intel® I225-LM 2.5GbE LAN
I/O Port	2 x RJ45, 3 x RS232 / 1 x RS232 / 422 / 485, 1 x 2-pin remote power on/off 1 x 3-pin Phoenix type terminal block DC input, 4 x USB 3.1 Gen2, 2 x HDMI 1.4
Watchdog Timer	1~255 steps by software program
Storage Disk Drive	1 x SATA 2.5" HDD/SSD bay
Expansion Slot	M.2 3042 / 3052 / 2242 / 2260 / 2280 B key (USB2.0, SATAIII, *PCIex1) *Not support M.2 M Key NVMe SSD / Wireless: M.2 2230 E key (PCIe, USB)
Stereo Speaker	2 x 3W
Os Support	Windows 11
POWER REQUIREMENT	
Power Input	DC 8 ~ 24V
Power Adapter	AC to DC, DC19V/ 3.4A, 65W adapter
MECHANICAL	
Mounting	VESA 75/100 mm Stand (support M4/L6)
Dimension	393.5 x 247.1 x 83 (mm)
Weight	5kg
ENVIRONMENTAL	
Operating Temperature	-20°C ~ 55°C
Storage Temperature	-20°C ~ 70°C
Storage Humidity	10% ~ 95% @40°C non-condensing
Vibration Resistance	Operating Random Vibration Test 5 ~ 500Hz; 2Grms @with SSD, follow IEC 60068-2-64
Shock Resistance	Operating 10 G peak acceleration (11 ms duration), follow IEC 60068-2-27
EMC	CE, FCC Class B
Front Panel Protection	IP65 Compliant
ESTD	E star 7.0, ErP test

Ordering Information

System I/O							
Model Number	CPU	HDMI	USB 3.1 / 2.0	RS232	LAN	Wifi / BT	Power
P156-11TGS-UP3Ce	Celeron 6305E	2	4 / 0	4	2	Optional	DC-in 8~24V
P156-11TGS-UP3i3	i3-1115G4E	2	4 / 0	4	2	Optional	DC-in 8~24V
P156-11TGS-UP3i5	i5-1145G7E	2	4 / 0	4	2	Optional	DC-in 8~24V
P156-11TGS-UP3i7	i7-1185G7E	2	4 / 0	4	2	Optional	DC-in 8~24V

Packing List

Packing			
• 1 x Panel PC	• 1 x 3 pin Terminal Block Power Connector	• 1 x Quick Installation Guide	• 1 x US + EU Power Cord
• 1 x Screws kit	• 1 x Power Adapter (19V, 65W, DC Jack Type)	• 1 x Mounting kit	