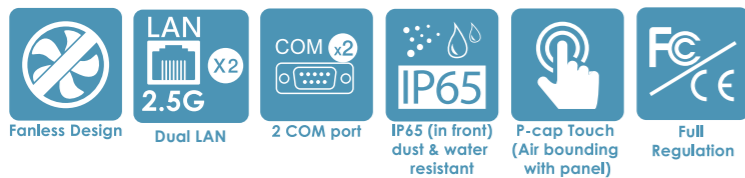


P150-11TGS

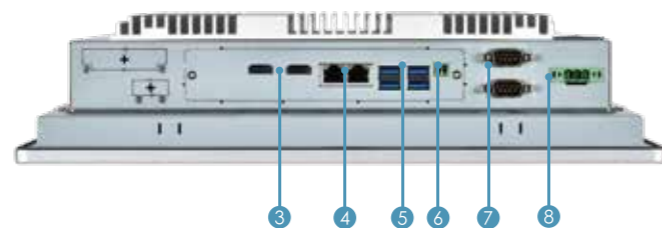
15" Panel PC / Intel® Tiger Lake UP3 Processor

Feature

- 15" TFT LCD with 70,000 hrs backlight lifetime
- Front panel IP65-rated, fanless design
- Inside Intel® Tiger Lake UP3 Core i7/i5/i3 / Celeron ULV processors

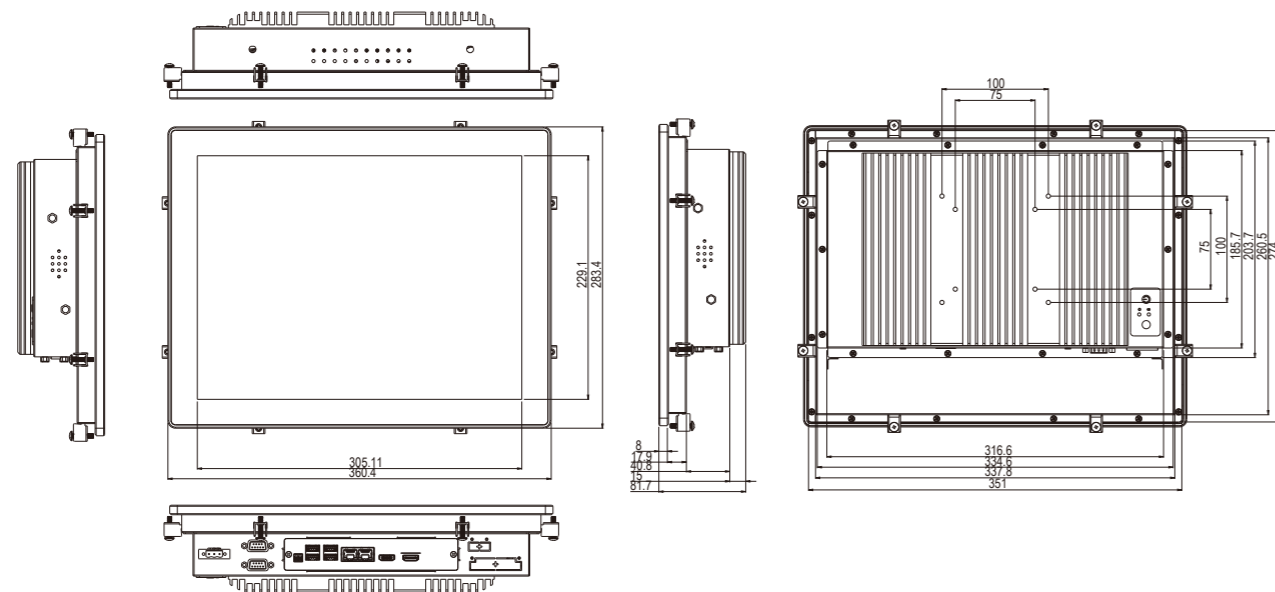


I/O Interface



- 1 Power
- 2 Reset
- 3 HDMI
- 4 Giga LAN
- 5 USB 3.0
- 6 Remote Power on/ off
- 7 COM
- 8 DC-in (terminal block)

Dimension (mm)



P150-11TGS Industrial Panel PC

LCD	
Display Type	15" TFT-LCD
Max. Resolution	1024 x 768
Max. Colors	16.7M (8 bit/color)
Luminance	300 cd/m2
Viewing Angle	176°/176°
Led Backlight (Hours)	70000
TOUCH SCREEN	
Type	P-CAP
Touch Screen	True-flat 10 points / Single point
SYSTEM	
Processor	Intel® Tiger Lake-UP3 i3-1115G4E (Dual Core, 6MB Cache, up to 3.90 GHz) option: 11th Gen Tiger Lake-UP3 Celeron 6305E / i5-1145G7E / i7-1185G7E
Chipset	Intel® SoC Integrated
System Memory	DDR4 3200MHz / 1 x 260-pin SO-DIMM / Max. 32GB (Non-ECC)
Ethernet	Intel® I219-LM Giga LAN / Intel® I225-LM 2.5GbE LAN
I/O Port	2 x RJ45, 4 x USB 3.1 Gen2, 2 x HDMI 1.4, 1 x 2-pin remote power on/off, 1 x 3-pin Phoenix type terminal block DC input 1 x RS232 / 1 x RS232 / 422 / 485
Watchdog Timer	1~255 steps by software program
Storage Disk Drive	1 x SATA 2.5" HDD/SSD bay
Expansion Slot	M.2 3042 / 3052 / 2242 / 2260 / 2280 B key (USB2.0, SATAIII, *PCIex1) *Not support M.2 M Key NVMe SSD / Wireless: M.2 2230 E key (PCIe, USB)
Stereo Speaker	2 x 3W
Os Support	Windows 11

POWER REQUIREMENT	
Power Input	DC 8 ~ 24V
Power Adapter	AC to DC, DC19V/ 3.4A, 65W adapter
MECHANICAL	
Mounting	VESA 75/100 mm Stand (support M4/L6) / Panel Mount
Dimension	360.4 x 283.1 x 81.7 (mm)
Weight	5kg (11.1 lb)
ENVIRONMENTAL	
Operating Temperature	-20°C ~ 55°C (-4 ~ 131°F)
Storage Temperature	-20°C ~ 70°C (-4 ~ 158°F)
Storage Humidity	10% ~ 90% @40°C non-condensing
Vibration Resistance	Operating Random Vibration Test 5 ~ 500Hz; 2Grms @with SSD, follow IEC 60068-2-64
Shock Resistance	Operating 10 G peak acceleration (11 ms duration), follow IEC 60068-2-27
EMC	CE, FCC Class B
Front Panel Protection	IP65 Compliant
ESTD	E star 7.0, ErP test

Ordering Information

System I/O							
Model Number	CPU	HDMI	USB 3.1 / 2.0	RS232	LAN	Wifi / BT	Power
P150-11TGS-UP3Ce	Celeron 6305E	2	4 / 0	3	2	Optional	DC-in 8~24V
P150-11TGS-UP3i3	i3-1115G4E	2	4 / 0	3	2	Optional	DC-in 8~24V
P150-11TGS-UP3i5	i5-1145G7E	2	4 / 0	3	2	Optional	DC-in 8~24V
P150-11TGS-UP3i7	i7-1185G7E	2	4 / 0	3	2	Optional	DC-in 8~24V

Packing List

Packing			
• 1 x Panel PC	• 1 x 3 pin Terminal Block Power Connector	• 1 x Quick Installation Guide	• 1 x US + EU Power Cord
• 1 x Screws kit	• 1 x Power Adapter (19V, 65W, DC Jack Type)	• 1 x Mounting kit	