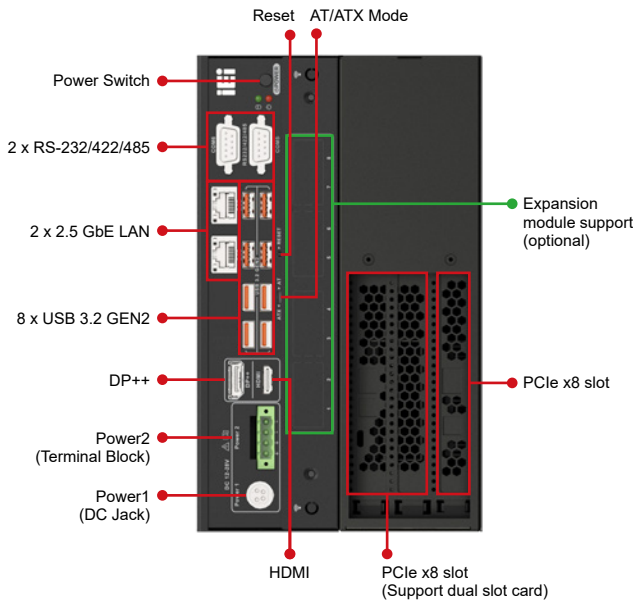
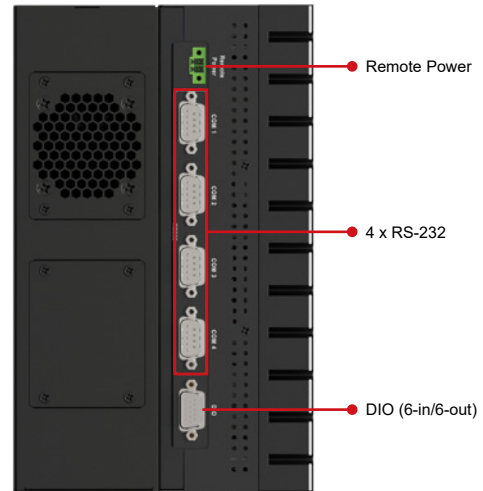


Fully Integrated I/O

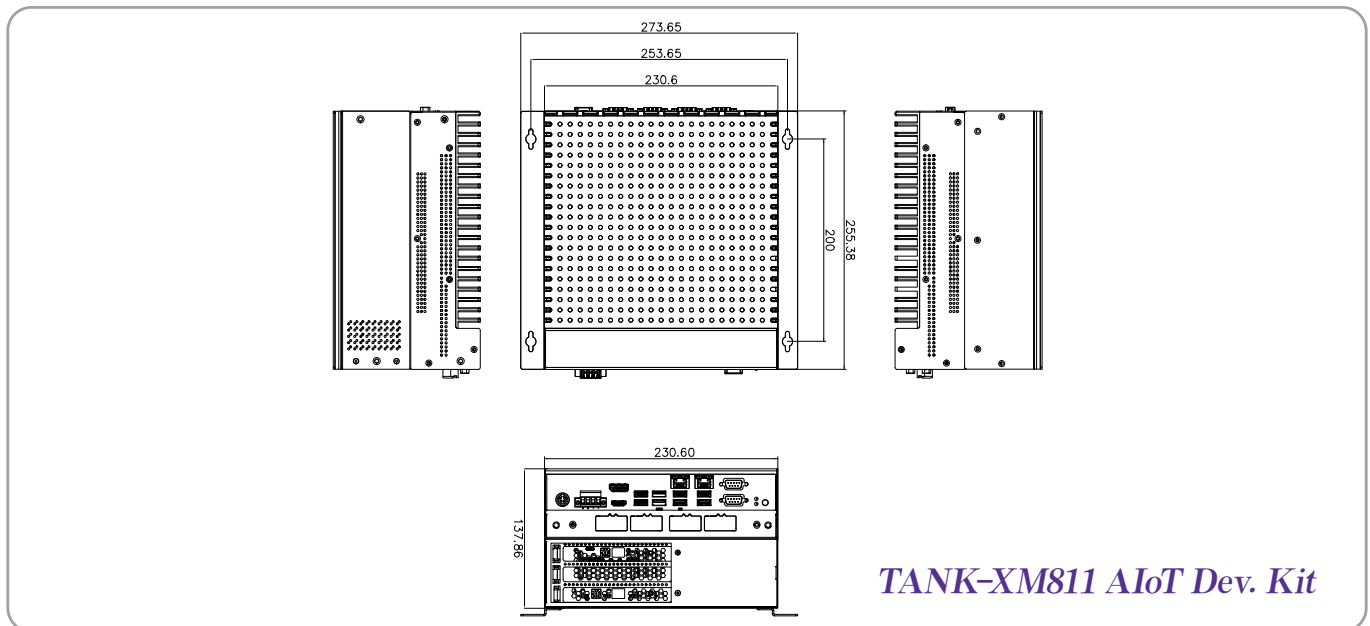
Top View



Front View



Dimensions (Unit: mm)



Ordering Information

Part No.	Description
TANK-XM811AI-I5AD/2A-R10	Ruggedized embedded system with Intel® Core™ i5-12500TE 1.9GHz, (up to 4.3 GHz, 6-Core, TDP 35W), 2 x 8GB DDR4 pre-installed, 2 x PCIe x8 expansion, 2.5" 256 SSD, 12~28V DC, 180W AC DC power adapter, RoHS

AI Accelerator Card Options

Part No.	Description
Mustang-V100-MX8-R20	Computing Accelerator Card with 8 x Intel® Movidius™ Myriad™ X MA2485 VPU, PCIe Gen2 x4 interface, RoHS

Packing List

1 x Mounting Screw	1 x Wall Mounting Kit	1 X QSG
1 x 180W Adapter	1 x Power Cord	