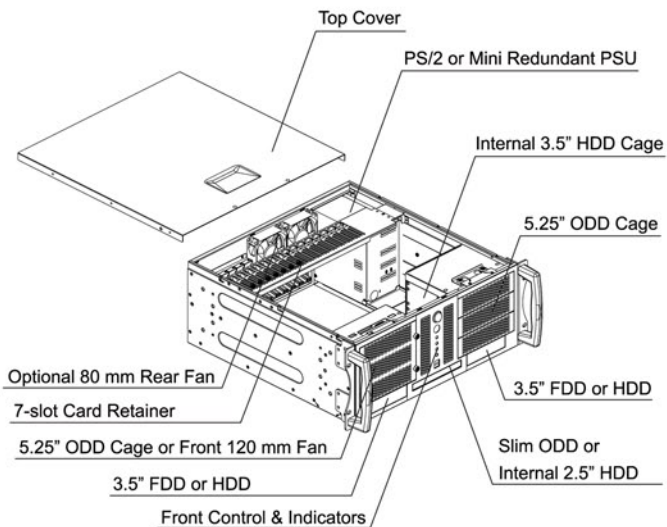
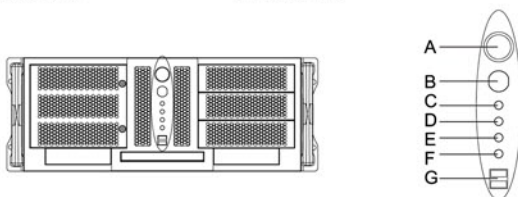


Major Components



Front Controls & Indicators

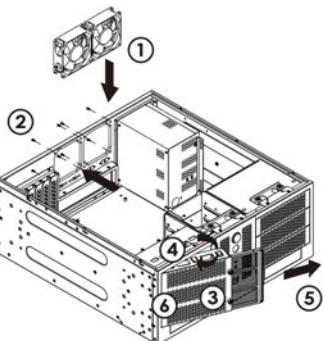
- | | | |
|------------------------|-------------|--------------|
| A: Power On/Off Switch | D: HDD LED | G: USB Ports |
| B: System Reset Button | E: LAN1 LED | |
| C: Power LED | F: LAN2 LED | |



Front 120 mm & Rear 80 mm Fan Assembly

Rear 80 mm Fan

- Align 80 mm fan to rear window
- Tighten 8 screws to fix one fan & finger guard

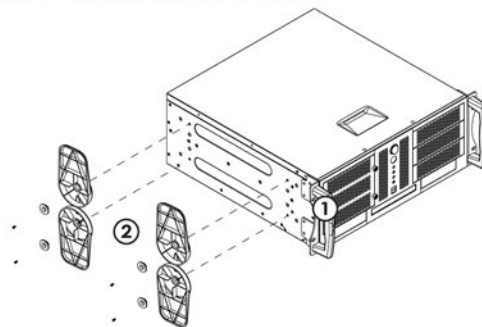


Front 120 mm Fan & Filter

- Loose 2 thumb screws
- Open the fan bracket
- Pull out the filter for maintenance
- Pull out the fan bracket & loose 4 screws to remove 120 mm fan

Pedestal Foot-stand Assembly

- Loose 6 screws on each handle rack ear for removal
- Align the foot stands on chassis & tighten with screws



Internal 3.5" HDD & 80x25 mm Fan Assembly

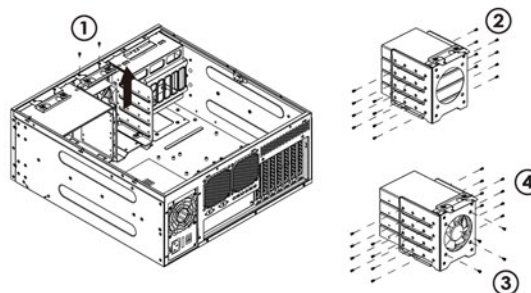
- Loose 2 screws & pull out the cage

Installing HDDs

- Tighten 4 screws to fix one 3.5" HDD on cage

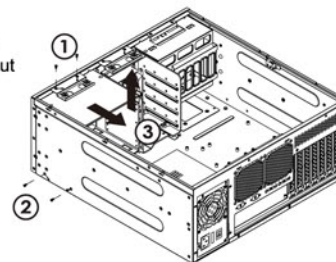
Installing 80x25 mm Fan & HDDs

- Tighten 4 screws to fix 80x25 mm fan & finger guard
- Tighten 4 screws to fix one 3.5" HDD on cage



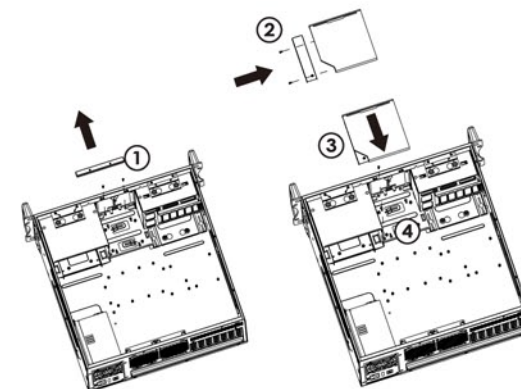
5.25" Drive Cage Assembly

- Loose 2 screws on top of cage
- Loose 2 screws on side of chassis
- Move the cage backward & pull it out



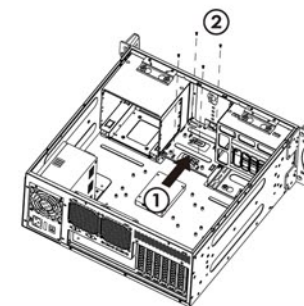
Install Slim ODD

- Loose 2 screws & remove the slim ODD blank cover
- Tighten 2 screws to fix the slim ODD bracket
- Insert the slim ODD
- Tighten 1 screw to fix slim ODD



Install Internal 2.5" SAS / SATA-II HDD

- Insert 2.5" HDD into slim ODD cage
- Tighten 4 screws to fix 2.5" HDD



Front Door Assembly

- Loose 12 handle rack ear screws to remove handles & fix it on door with 4 door screws
- Tighten 8 original handle screws to fix door on chassis

