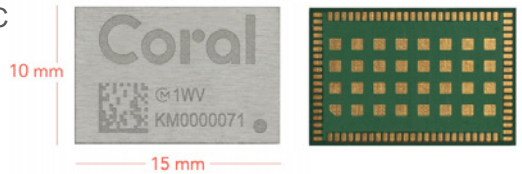


Accelerator Module datasheet

- Coral Edge TPU™ ML accelerator: 4 TOPS peak performance (int8) / 2 TOPS per watt
- Integrated power management
- PCIe Gen2 x1 or USB 2.0 interface
- Surface-mounted (LGA) module
- Size: 15.0 x 10.0 x 1.5 mm
- **Support ARM (Linux) & X86(Windows & Linux)**
- Weight: 0.67 g
- Operating temp: -20°C~55°C
- RoHS compliant

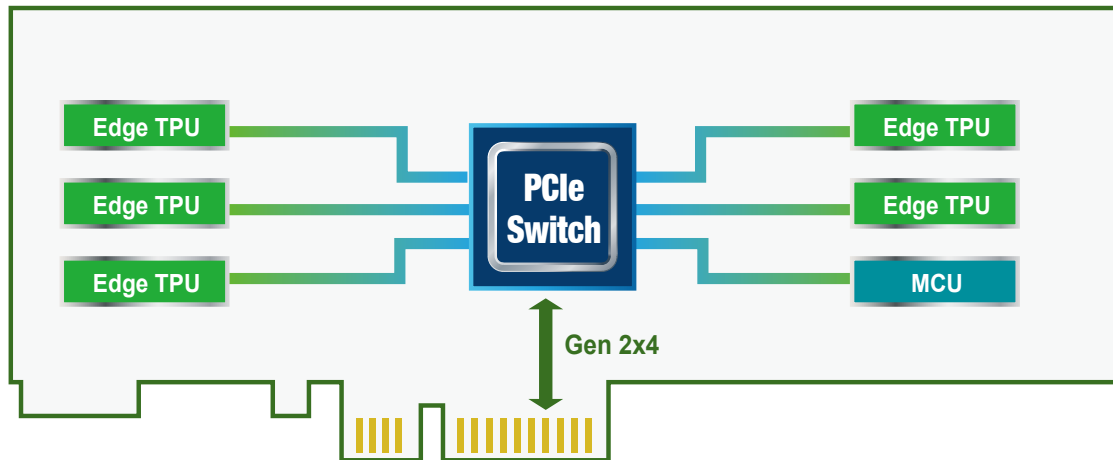


Introduction

Coral is a hardware and software platform for building intelligent devices with fast neural network inferencing. At the heart of our devices is the Edge TPU coprocessor. This is a small ASIC built by Google that's specially designed to execute state-of-the-art neural networks at high speed, with a low power cost.

The Edge TPU is capable of performing 4 trillion operations (tera-operations) per second (TOPS), using 0.5 watts for each TOPS (2 TOPS per watt).

Mustang-T100-T5 Block Diagram



Mustang-T100-T5 Dimensions (Unit: mm)

