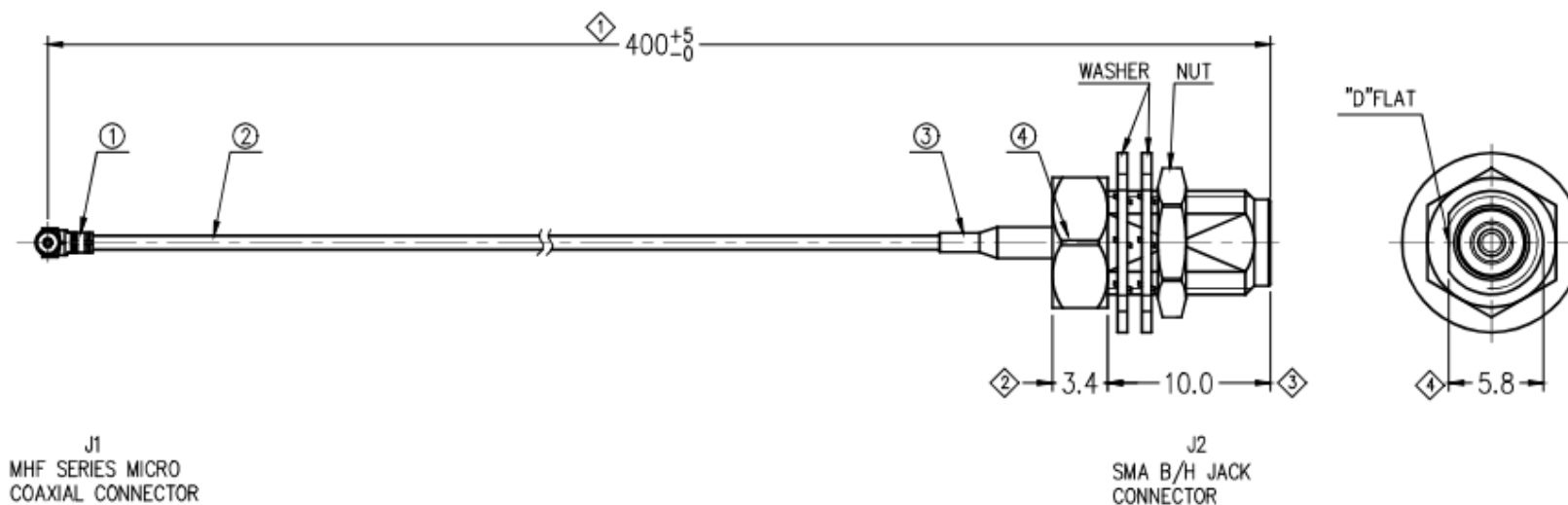


Model	32501-000703-100-RS
Beschreibung/Description	Cable/RF Antenna/MHF-to-SMA/internal/40cm
Artikelnummer/Part N°	145878



ITEM	NAME	MATERIAL	QTY
④	TUBE(2)	SMA B/H JACK CONNECTOR FOR 1.37 CABLE,OR EQUIVALENT	1SET
③	TUBE	∅2.0*15mm HEAT SHRINKABLE TUBE BLACK	1PC
②	CABLE	∅1.37mm COAX CABLE,COLOR:BLACK	1PC
①	CONNECTOR	MHF SERIES MICRO COAXIAL CONNECTOR FOR 1.37 CABLE,EXK P/N:MH121020-480HL012,OR EQUIVALENT	1PC
BILL OF MATERIAL			

NOTES:

- 1) CABLES ASSEMBLY TO BE 100% TESTED FOR CONTINUITY(SHORTS AND OPENS);
- 2) FREQUENCY RANGE:DC~6 GHz;
- 3) VSWR:1.5 Max.