

# ECW-281B-BT

Fanless Embedded System with  
Intel® Celeron® J1900 Processor



## Features

- Fanless system with Intel® Celeron® J1900 Processor
- Supports four COM ports (three RS-232, one RS-422/485)
- 12V DC and 9 V~36 V DC models available
- Wide operating temperature: -20°C ~ 60°C with SSD

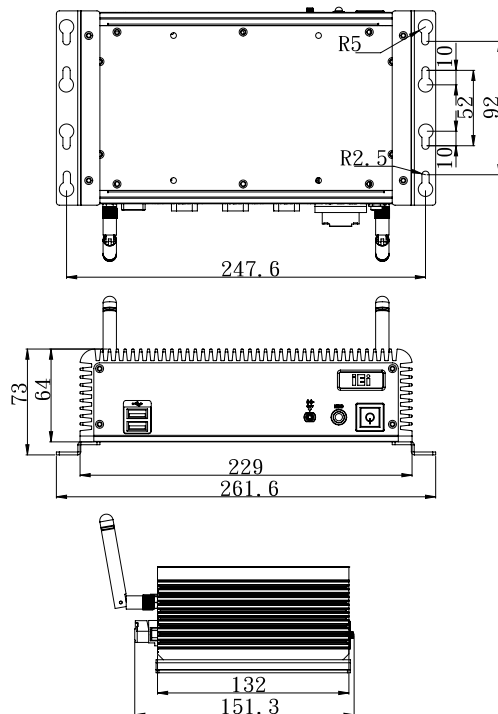


## Specifications

Model Name	ECW-281B-BT	
Chassis	Color	Black
	Dimensions (WxHxD) (mm)	229 x 132 x 64
	System Fan	Fanless
	Chassis Construction	Aluminum alloy with heavy duty metal
Motherboard	Motherboard Model	WAFER-BT
	SBC Size (mm)	3.5", 146 x 102
	CPU	Intel® Celeron® J1900 processor (quad-core, 2 MB cache, TDP=10W, up to 2.42GHz)
	Chipset	SoC
	System Memory	1 x 204-pin 1066/1333 MHz single-channel DDR3L SO-DIMM (system max. 8 GB)
	Storage	Hard Drive
I/O Interfaces	USB 3.2 Gen 1	1
	USB 2.0	3
	Ethernet	LAN 1: PCIe GbE by Intel® I210 controller LAN 2: PCIe GbE by Intel® I211 controller
	COM Port	3 x RS-232 1 x RS-422/485
	Digital I/O	8-bit digital I/O
	Display	1 x VGA
	Resolution	VGA: Up to 2560x1600@60Hz
	Audio	1 x Line out
	Wireless	1 x 802.11b/g/n (optional)
	Expansion	PCIe Mini
Power	Power Input	DC jack: 12 V DC 3-pin terminal: 9 V~36 V DC
	Consumption	12V@1.45A (with Intel® Celeron® J1900 CPU and one 8 GB 1333 MHz DDR3 memory)
Reliability	Mounting	Wall mount, VESA 100
	Operating Temperature	-20°C~60°C with air flow (SSD), 10% ~ 95%, non-condensing
	Storage Temperature	-20°C ~ 60°C
	Operating Shock	Half sine wave 5G, 11ms 3-axis (non-operational)
	Operating Vibration	MIL-STD-810F 514.5C-1 (HDD)
	Weight (Net/Gross)	2.1 kg / 3.9 kg

\*ECW-281BWD-BTi-QGW without Full-size PCIe Mini Card slot expansion

## Dimensions (Unit: mm)



## Options

Part No.	Description
ECW-281B-BT-WES7E64-R20	OS Image with Windows® Embedded Standard 7 E 64Bit for ECW-281BT Series, with DVD-ROM, RoHS, R20
DK-100-R10	VESA 100 to DIN-Rail mounting kit

## Packing List

1 x Power cord only for 12V	1 x Wall mount bracket
1 x 12V 60W power adapter only for 12V	1 x Screw set

## Ordering Information

Part No.	Description
12V DC Input ECW-281B-BTi-J1/2GB-R20	Fanless embedded system with WAFER-BT-R20, with Intel® Celeron® J1900 2GHz, 4 serial ports, with 2GB DDR3L pre-installed SO-DIMM memory, 12VDC in, 60W power adapter, black, RoHS
9 V~36 V DC Input ECW-281BWD-BTi-J1/2GB-R20	Fanless embedded system with WAFER-BT-R20, with Intel® Celeron® J1900 2GHz, 4 serial ports, with 2GB DDR3L pre-installed SO-DIMM memory, 9~36VDC in, w/o adapter, black, RoHS