

P156-11KS

15.6" Panel PC / Intel® Kaby Lake Processor

Feature

- 15.6" TFT LCD with 50,000 hrs backlight life-time
- Inside Intel® 7th & 6th Gen Core i Processor



Fanless Design



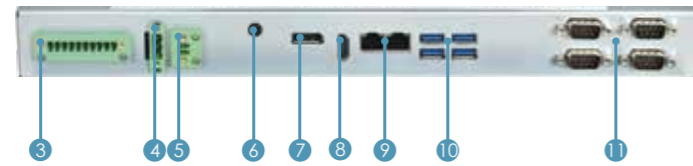
Dual LAN



2 COM port

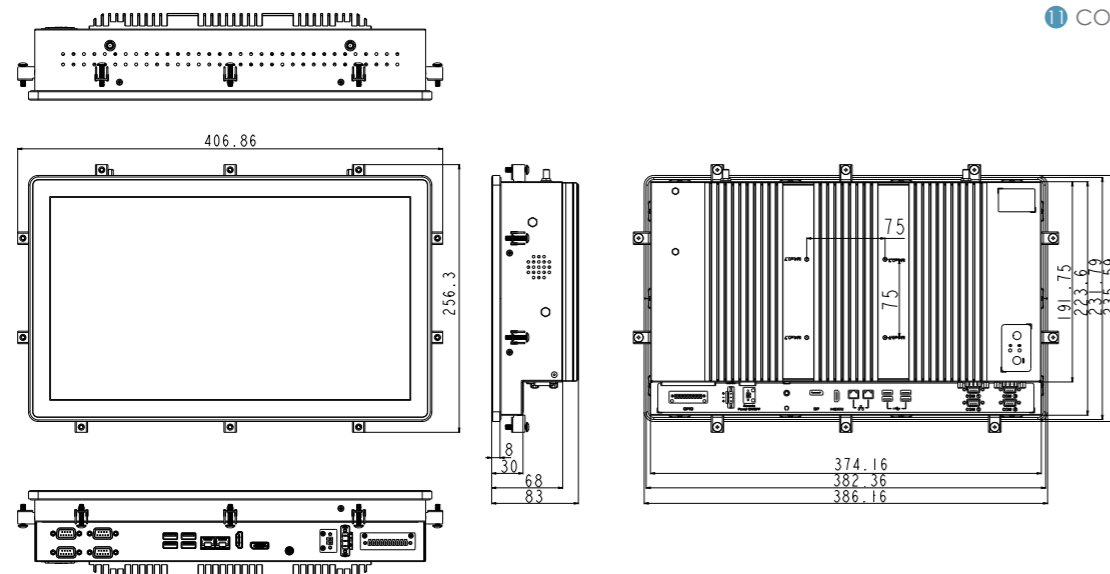
IP65 (in front)
dust & water
resistantP-cap Touch
(Air bounding
with panel)Full
Regulation

I/O Interface



- 1 Power
- 2 Reset
- 3 8 bit GPIO
- 4 DC-in (terminal block)
- 5 Remote Power on/off
- 6 Audio Jack
- 7 DisplayPort
- 8 HDMI
- 9 Giga LAN
- 10 USB 3.0
- 11 COM

Dimension (mm)



P156-11KS Industrial Panel PC

LCD	
Display Type	15.6" TFT-LCD
Max. Resolution	1920 x 1080
Max. Colors	16.2M (8 bit/color)
Luminance (cd/m2)	450
Viewing Angle (H/V)	170°/170°
Led Backlight (Hours)	50,000
Brightness	Option

TOUCH SCREEN	
Type	P-CAP
Touch Screen	True-flat 10 points
AR/AG	Option

SYSTEM	
Processor	7th Gen Intel® Kaby Lake-U i3-7100U (Dual Core, 3MB Cache, 2.40 GHz) option: 7th Gen Kaby Lake celeron 3965U / i5-7300U / i7-7600U 6th Gen Skylake celeron 3955U / i3-6100U / i5-6300U / i7-6600U
Chipset	Intel® SoC integrated
System Memory	DDR4 2133 MHz, 2 x 260-pin SO-DIMM, Max. 32GB (Non-ECC)
Ethernet	Intel® I219-LM Giga LAN + Intel® I211-AT Giga LAN
I/O Port	1 x DC in terminal block 4 x USB3.0 4 x RS232 2 x RJ45 1 x DisplayPort 1 x HDMI 1 x Audio Jack (combo Mic-in & Line-out) 1 x 8bit GPIO terminal block
Watchdog Timer	1~255 steps by software program
Storage Disk Drive	1 x SATA 2.5" HDD/SSD bay
Expansion Slot	1 x Mini PCIe Full size 1 x M.2 2230 E key
Stereo Speaker	2 x 2W
Os Support	Windows® 10 enterprise 1703

POWER REQUIREMENT

Power Input	DC 8 ~ 24V
Power Adapter	AC to DC, DC19V 65W adapter

MECHANICAL

Dimension	283.1 x 360.4 x 81.7mm (W X D X H)
Weight	TBD
Mounting	VESA 75/100mm / Panel Mount

ENVIRONMENTAL

Operating Temperature	0°C ~ 50°C
Storage Temperature	-20°C ~ 70°C
Storage Humidity	10% ~ 90% @40°C non-condensing
Vibration Resistance	Operating Random Vibration Test 5 ~ 500Hz; 2Grms @with SSD, follow IEC 60068-2-64
Shock Resistance	Operating 10 G peak acceleration (11 ms duration), follow IEC 60068-2-27
EMC	CE, FCC Class B
Front Panel Protection	IP65 Compliant

Ordering Information

System I/O											
Model Number	CPU	VGA	DisplayPort	HDMI	USB 3.0 / 2.0	Line-out / Mic-in	RS232	LAN	Wifi / BT	Power	
P156-11KS-3965U	Celeron 3965U	0	1	1	4 / 0	1 combo jack	4	2	Optional	DC-in 8~24V	
P156-11KS-7100U	Core i3-7100U	0	1	1	4 / 0	1 combo jack	4	2	Optional	DC-in 8~24V	
P156-11KS-7300U	Core i5-7300U	0	1	1	4 / 0	1 combo jack	4	2	Optional	DC-in 8~24V	
P156-11KS-7600U	Core i7-7600U	0	1	1	4 / 0	1 combo jack	4	2	Optional	DC-in 8~24V	

Packing List

Packing		
1 x Driver CD	1 x 3 pin Terminal Block Power Connector	1 x US + EU Poower Cord
1 x Panel PC	1 x Power Adapter (19V, 65W, DC Jack Type)	1 x Quick Installation Guide
1 x 10 pin Terminal Male Connector	1 x Screws kit	