

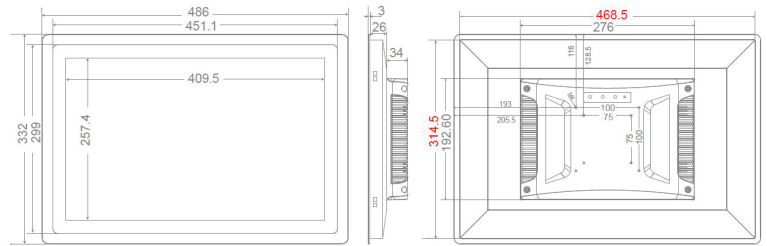
# PPC-JWS190-A210 / PPC-JWS191-A210 - 19"/19,1" industrial Panel PC



Product Size

19.1"

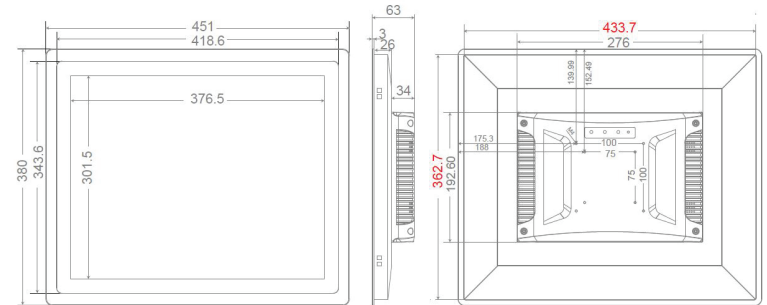
16: 10



Product Size

19"

4: 3



Display	19" - PPC-JWS190-A210	19,1" - PPC-JWS191-A210
Panel Type	Industrial A grade LCD with LED backlight	
Aspect Ratio	4:3	16:10
Resolution	1280*1024	1440*900
Contrast	1000:1	1000:1
Luminance	300nit, up to 1200nits	300nit, up to 1000nits
Response time	5ms	5ms
Active Area (mm)	337.9*270.3	381.9*241.8
Display colors	16.7M(8-bit)	16.7M(8-bit)
PC Configuration		
CPU	RK3399 Dual-core ARM Cortex-A72 MPCore processor and Quad-core ARM Cortex-A53 MPCore processor	
Inner memory	4GB DDR3 RAM preinstalled	
Storage	32 GB eMMC preinstalled, expandable by request	
WIFI	Built-in wifi module, 802.11a/b/g/n	
Bluetooth	Built-in blue tooth module	
Optional Items	Built-in 3G/4G/GPS/USB Camera (optional)	
Touch Screen	Default with 10-point capacitive touch	
Operating System	Android 7.1	
Support multi-language	English, French, Spanish, Portuguese, Russian, Arabic, Chinese, etc	
Google play service	Support Google play service	
Preinstalled App	Google market, Email, Gmail, Google talk	
I/O ports	1x12V ATX input 1xSIM card slot 1xTF/SD card slot 1xHDMI 1xUSB3, 1xUSB2 1xRJ-45 network 1x3.5mm Audio output interface 2xcom (RS232) 1xmini USB port for re-flash/upgrading firmware	
Material	Aluminum alloy enclosure	
Power Consumption	1.8A @ 12V (21.6W)	
Bezel thickness	3mm front bezel	
IP rating	IP65 True Flat Front Panel	
Operation Temperature	0°C-50°C	
Storage Temperature	-40°C-85°C	
Humidity	5%-85% (non-condensing)	
Color	Default with Black Color; Optional Silver Color	
Mounting	Support Wall Mount / VESA / Desktop	
Weight (Net/Gross)	5,6/7,6kg	5,6/7,6kg