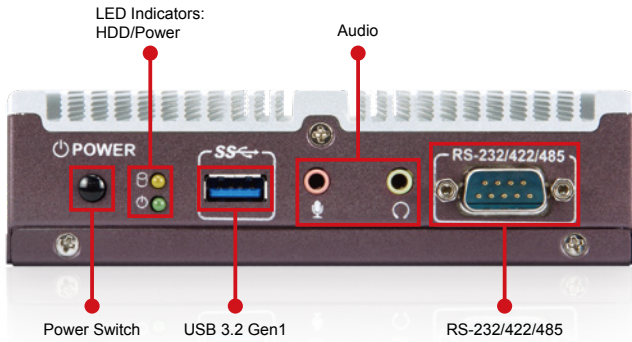


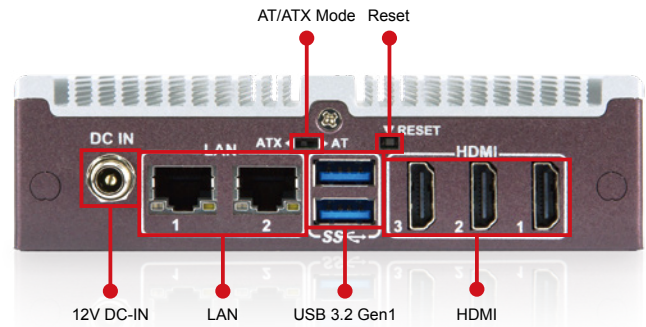


## Fully Integrated I/O

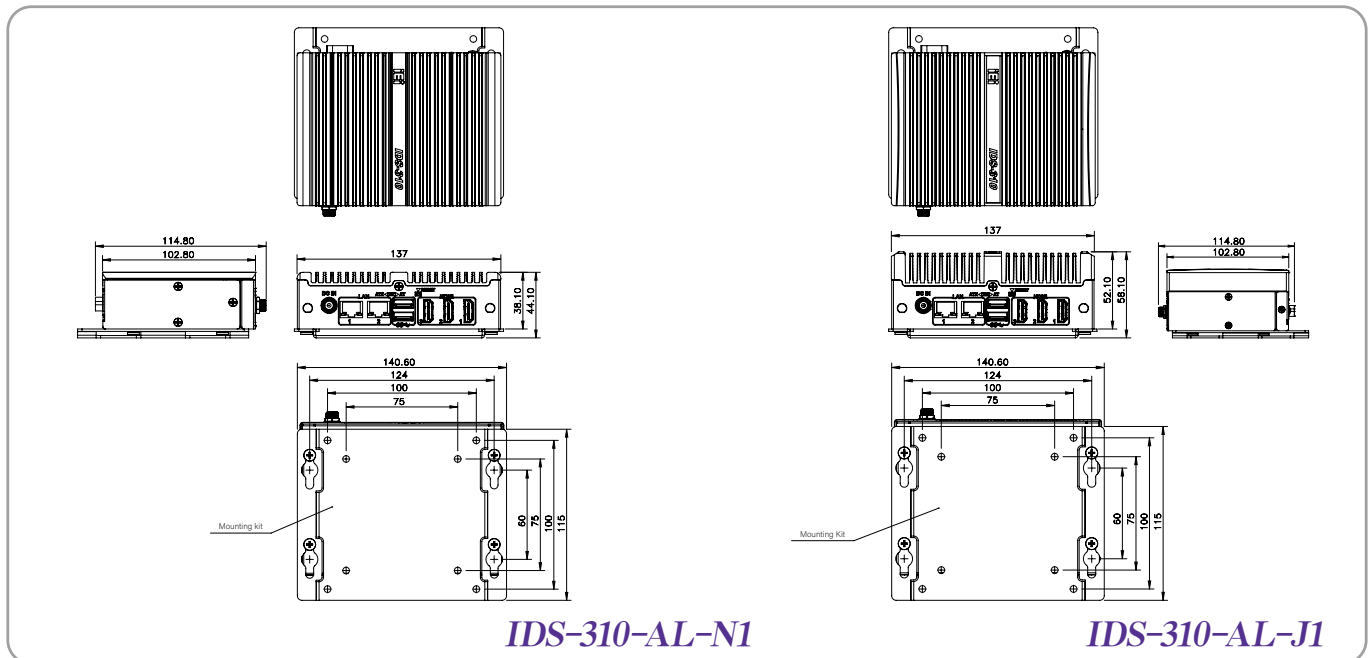
### Front View



### Rear View



### Dimensions (Unit: mm)



**IDS-310-AL-N1**

**IDS-310-AL-J1**

### Ordering Information

Part No.	Description
<b>IDS-310-AL-J1/4GB-R10</b>	Fanless embedded system with Intel® Celeron® J3455 1.5GHz (up to 2.3GHz, quad core, TDP 10W), pre-installed 4GB DDR3L memory, triple HDMI display, 12V DC and RoHS
<b>IDS-310-AL-N1/4GB-R10</b>	Fanless embedded system with Intel® Celeron® N3350 1.1GHz (up to 2.4GHz, dual core, TDP 6W), pre-installed 4GB DDR3L memory, triple HDMI display, 12V DC and RoHS

### Options

Part No.	Description
Wi-Fi Module	27319-000007-RS* Wireless LAN Module;WiFi+Bluetooth;Sparklan;R970181001;IEEE802.11a/b/g/n/ac;2.400GHz ~ 2.484GHz, 5.15GHz ~ 5.85GHz;M.2 2230;3.3V;22 x 30 x 2.0mm;Qualcomm Atheros QCA6174A-5;2x2 MIMO;Dual Band;WNFQ-258ACN(BT) [W];CCL;RoHS
Antenna	32505-000900-100-RS* External Antenna;WLAN;RG 178;108MM;TANK-700-QM67-R10;PEAK GAIN 2.0DBI;Exceltek;2.4-2.5GHz/5.15-5.85GHz;REVERSE SMA PLUG;RoHS
RF Cable	32501-004000-100-RS* RF;RF CABLE;LINE DIAMETER:0.81mm;250MM;;50Ω;Sparklan;0-6GHz;VSWR≤1.3;I-PEX MHF-4 Plug;REVERSE SMA JACK;NUT x 1;WASHER x 1;;RoHS
OS:Windows Embedded 10	IDS-310-AL-W10E64-E-R10 OS Image with Windows® 10 IoT Enterprise Entry 64-bit 2019 for IDS-310-AL Series, with DVD-ROM, RoHS

\* Each Wi-Fi module needs two antennas and two RF cables to fully support Wi-Fi function.

### Packing List

1 x VESA 75/100 Mounting Kit	1 x Power Adapter	1x Power Cord
------------------------------	-------------------	---------------