

PCI Express Power-over-Ethernet Card,
4-port 1000BASE-T, 802.3at/af Compliant, Low-profile, RoHS

GPOE-4P

Quick Installation Guide

Version 2.0

June 24, 2019

Package List

GPOE-4P package includes the following items:

- 1 x GPOE-4P PCIe Power-over-Ethernet card
- 1 x QIG (Quick Installation Guide)



©2019 Copyright by IEI Integration Corp.
All rights reserved.

Specifications

- Interface:
PCI Express® x1
- Ethernet:
Intel® I211AT controller
9kB jumbo frame
IEEE 802.3az, IEEE1588
- Power Input:
12 V ~ 24 V DC input
1 x Internal DC input connector (1x4 pin)
1 x Internal DC input connector (2x3 pin)
CAUTION! Use one power input only at a time.
- PoE Capability:
IEEE 802.3af
15.4 W / 48 V DC per port
- Operating Temperature: 0°C ~ 60°C
- Storage Temperature: -10°C ~ 70°C
- Operating Humidity: 5% ~95%, non-condensing
- Dimensions: 160 mm x 65 mm
- Weight: 110g

All the drivers and One Key Recovery utility for the GPOE-4P are available on IEI Resource Download Center. Type GPOE-4P and press Enter to find all the relevant software, utilities, and documentation. To install software from the downloaded ISO file, mount the file as a virtual drive to view its content.

IEI Resource Download Center

<https://download.ieiworld.com>

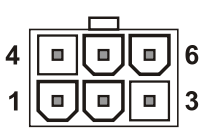


Ordering Information

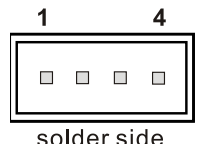
- **GPOE-4P-R20:**
PCI Express Power-over-Ethernet card, 4-port 1000BASE-T, 802.3at/af compliant, low profile, and RoHS
- **32102-045800-100-RS:** Power cable, 300 mm, p=4.2, RoHS

Connector Pinouts

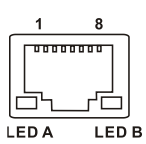
CN1: Internal power input connector (6-pin), p=4.2 mm			
Pin	Description	Pin	Description
1	Power in	4	GND
2	Power in	5	GND
3	Power in	6	GND



J2: Internal power input connector (4-pin) , p=5.08 mm			
Pin	Description	Pin	Description
1	Power in	3	GND
2	GND	4	NC



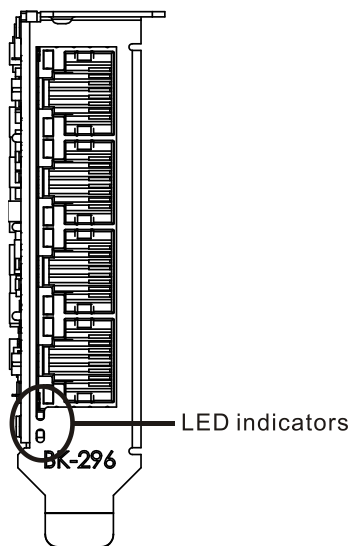
PLAN1: External RJ-45 LAN connectors			
Pin	Description	Pin	Description
1	MDIA0+	2	MDIA0-
3	MDIA1+	4	MDIA2+
5	MDIA2-	6	MDIA1-
7	MDIA3+	8	MDIA3-
LED	Description	LED	Description
A	Off: 10 Mb/s Green: 100 Mb/s Orange: 1000 Mb/s	B	On: linked Blinking: data is being sent/received



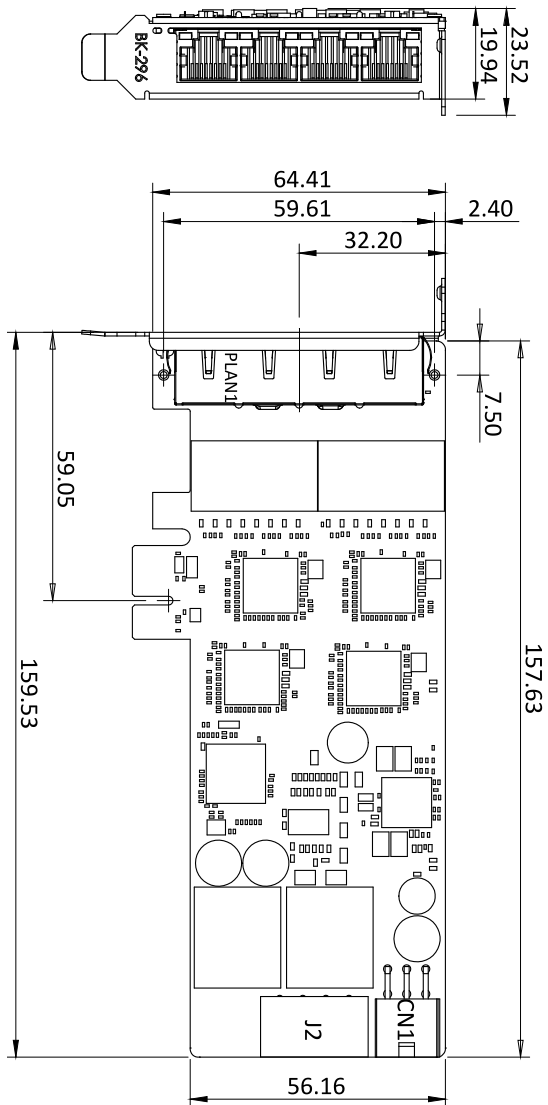
LED Indicators

When installing multiple GPOE-4P cards in one system, the ID of each card is indicated by the two LED indicators on the I/O panel as described below.

LED	Card ID
● Red ● Red	Card 1
● Red ● Green	Card 2
● Green ● Red	Card 3
● Green ● Green	Card 4
● Red ○ Off	Card 5
○ Off ● Green	Card 6
○ Off ● Red	Card 7
● Green ○ Off	Card 8



Board Layout: Jumper and Connector Locations



(Unit: mm)