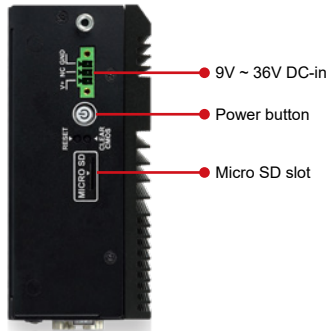


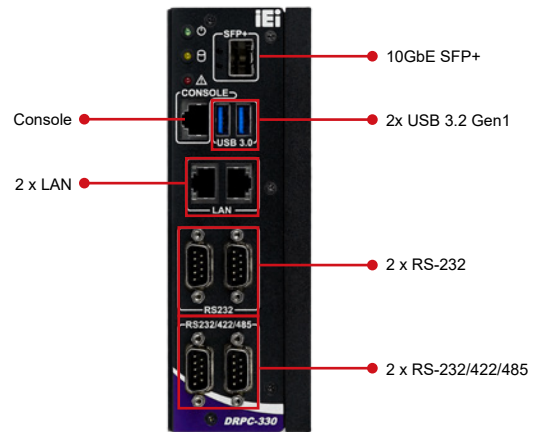
Fully Integrated I/O

Top View



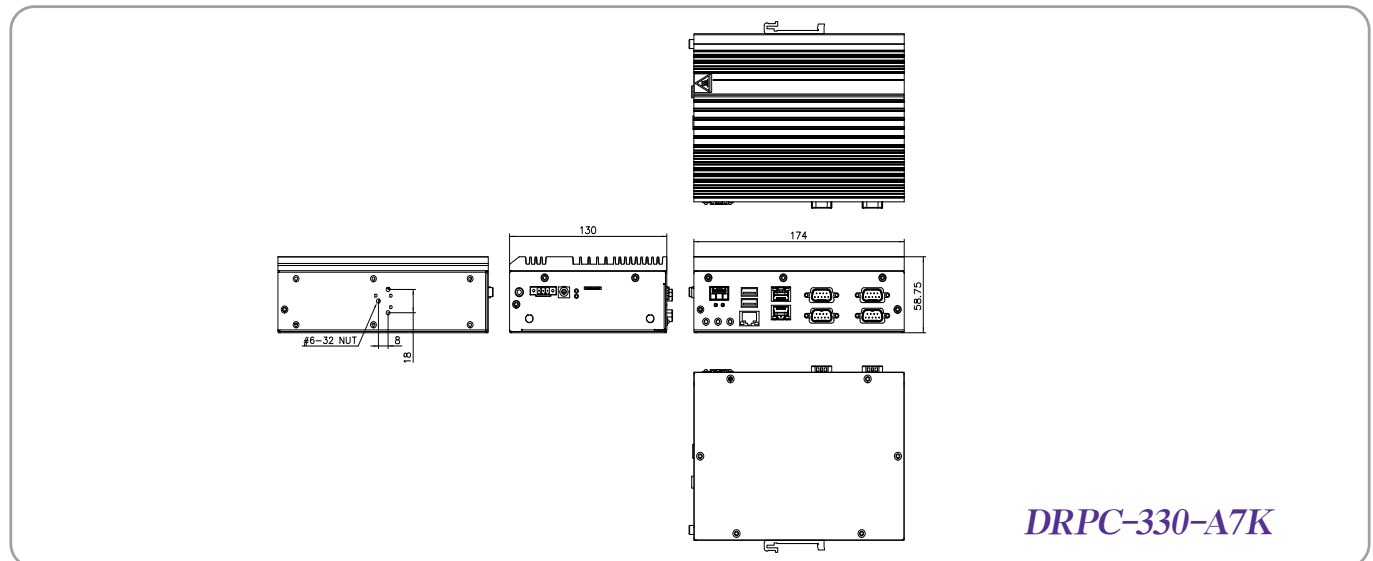
- 9V ~ 36V DC-in
- Power button
- Micro SD slot

Front View



- 10GbE SFP+
- Console
- 2x USB 3.2 Gen1
- 2 x LAN
- 2 x RS-232
- 2 x RS-232/422/485

Dimensions (Unit: mm)



Ordering Information

Part No.	Description
DRPC-330-A7K-A1/4G-R10	Fanless system with Marvell Armada 7040 processor, 4GB DDR4 on-board memory, two 1GbE, one 10GbE via SFP+ (without transceiver), multiple M.2 expansions, COM, 9~36VDC, RoHS

Options

Item	Part No.	Description
Adapter*	63040-010036-210-R	Adapter Power;FSP;FSP036-RHBN3;9NA0362707;;Vin:90~264VAC;36W;Dim:37.8*89.8*27.0mm;Plug=7.5mm;Cable =1500mm;Erp(NO LOAD 0.075W);Vout:12VDC;Φ2.5/Φ5.5/lock;CCL;RoHS
Power cable*	32102-026500-100-RS	WIRE CABLE;POWER CABLE;;2;200MM;18AWG;(A)DC JACK 5.5X2.5, NUT+WASHER ;(B)TERMINAL BLOCK:3P P=3.5;,,,,,;SHANGHAI YING YU;RoHS
Power cord	32702-000200-100-RS	European power cord
USB to console cable	32013-004000-100-RS	Round cable; LAN CABLE; FTDI console cable; 2; 1800MM; (A)USB A TYPE 4P MALE+PCB:FTDI_FT232RL; (B)RJ-45 8P8C; RoHS
Wifi module**	27319-000009-RS	Wireless Lan Module;Wireless LAN & Bluetooth M.2 Module;Sparklan;R9701810011;IEEE802.11a/b/g/n/ac;2.412GHz~2.4835GHz, 5.15GHz~5.85GHz;M.2 2230;;3.3V;22*30*2.15mm;QCENFA364A;QCA6174A-5;2x2 MIMO;Dual Band;WCBN808A-Q2;CCL;CCL;RoHS
Antenna**	32505-000900-100-RS	External Antenna;WLAN;RG 178;108MM;TANK-700-QM67-R10;PEAK GAIN 2.0DBI;Exceltek;2.4-2.5GHz/5.15-5.85GHz;REVERSE SMA PLUG;RoHS
RF cable**	32501-004000-100-RS	RF;RF CABLE;LINE DIAMETER:0.81mm;250MM;;50Q;Sparklan;0-6GHz;VSWR<1.3;1-PEX MHF-4 Plug;REVERSE SMA JACK;NUT x 1;WASHER x 1;;RoHS
TPM Module	TPM-IN03-R10	20-pin Infineon SPI TPM2.0 module, software mangement tool, firmware V7.63

*It is required to order Power Cable together with Adapter for power usage.

** Each Wi-Fi module needs two antennas and two RF cables to fully support Wi-Fi function

Packing List

1 x Din-rail mounting bracket	1 x Screw kit
-------------------------------	---------------