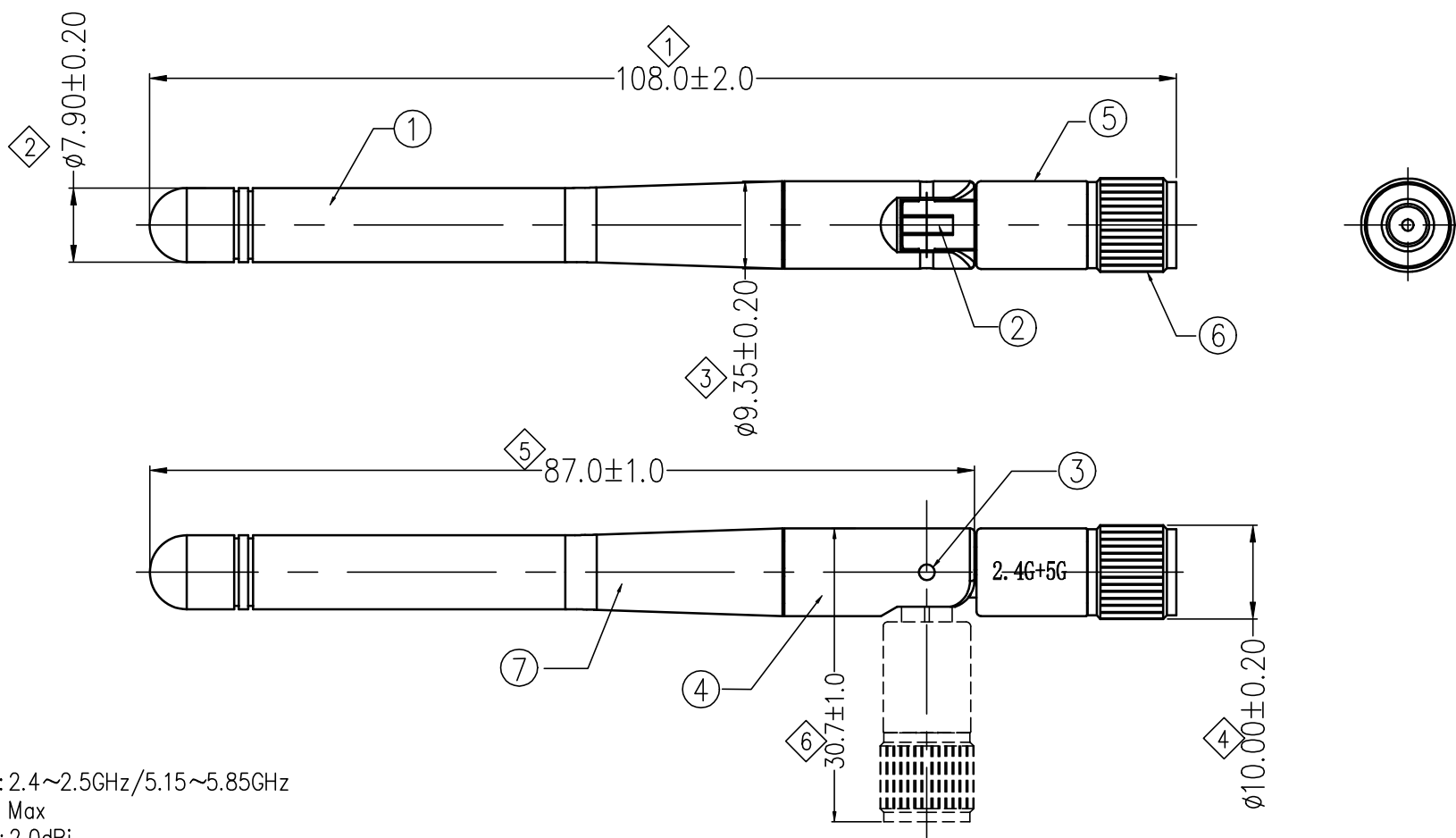


UNLESS OTHERWISE NOTED, THIS DOCUMENT CONTAINS RADIATION TECHNOLOGY INC. CONFIDENTIAL INFORMATION. REPRODUCTION, USE, DISCLOSURE OR TRANSMITTAL OF ALL OR ANY PART OF THIS DOCUMENT IS PROHIBITED EXCEPT TO THE EXTENT APPROVED IN WRITING BY AN AUTHORIZED REPRESENTATIVE OF RADIATION TECHNOLOGY INC. RADIATION TECHNOLOGY INC. RESERVES ALL RIGHTS UNDER PATENTS, TRADEMARKS COPY RIGHTS AND TRADE SECRETS. COPYRIGHT, RADIATION TECHNOLOGY INC., 2015. ALL RIGHTS RESERVED.

THE COMPONENT(S), INCLUDING ANY PLATING OR COATINGS, SUPPLIED PER THIS DRAWING MUST BE COMPLIANT WITH EU DIRECTIVE 2011/65/EU (RoHS DIRECTIVE)

REVISIONS			
REV.	ECN#	DESCRIPTION	CHNGD BY/ DATE
SA	XX-XX-XX	FRIST RELEASE FOR SAMPLE BUILD	Gerry/2016.01.29
SB	XX-XX-XX	ADD PRINTING MARK	Gerry/2016.04.20



NOTES:

- 1.Frequency: 2.4~2.5GHz/5.15~5.85GHz
- 2.VSWR:2.0 Max
- 3.Peak gain:2.0dBi
- 4.Impedance:50 ohm
- 5.Polarization: Vertical
- 6.Operating temperature range -30\`C to +70\`C.

ITEM	NAME	MATERIAL	QTY
⑦	Copper Tube	BRASS MATERIAL C3604 PLATED NICKEL	1PC
⑥	Connector	CONNECTOR SMA S/T PLUG FOR RG178	1SET
⑤	Lower base	MATERIAL PBT,COLOR: BLACK DS-10,Ø9.35*19.7mm	1PC
④	Upper base	MATERIAL POLYCARBONATE,COLOR: BLACK DS-373,Ø9.35*28.8mm	1PC
③	Pin	MATERIAL POM,COLOR: BLACK DS-301,Ø1.65*3.8mm	2PCS
②	Cable	RG178 Coaxial Cable	1PC
①	Radome	TPEE 55D,COLOR:BLACK DS-379,Ø9.35*67.5mm	1PC

BILL OF MATERIAL

THIRD ANGLE PROJECTION 	DRAWING APPROVAL		 www.rt-inc.com 昆山昕芮特电子科技有限公司	
	DWN:			
TOLERANCES UNLESS OTHERWISE SPECIFIED	CHKD:		CUS:	RTI P/N: C0255-ANG0044
	APPD:		C0255	CUS P/N: 32505-004800-200-RS
ONE PLACE DECIMAL .X 0.2	TWO PLACE DECIMAL .XX 0.1	THREE PLACE DECIMAL .XXX 0.05	ITEM: 2.4~2.5GHz/5.15~5.85GHz 2.0dBi SMA PLUG Antenna	
HOLE DIA. VARIATION .XX N/A	ANGULAR DIMENSION (ENG) N/A	SCALE: A4 mm	SHEET: 1 OF 1	CUS REV: N/A RTI REV: SB