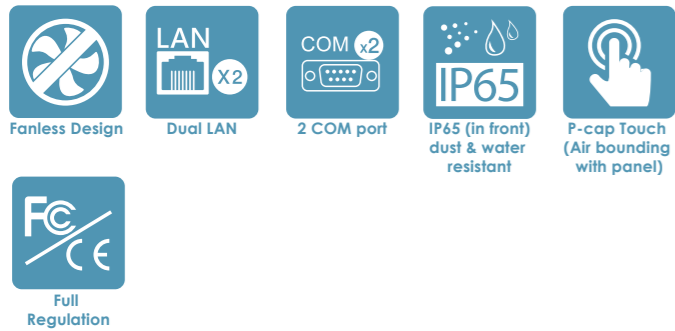


P150-10AI

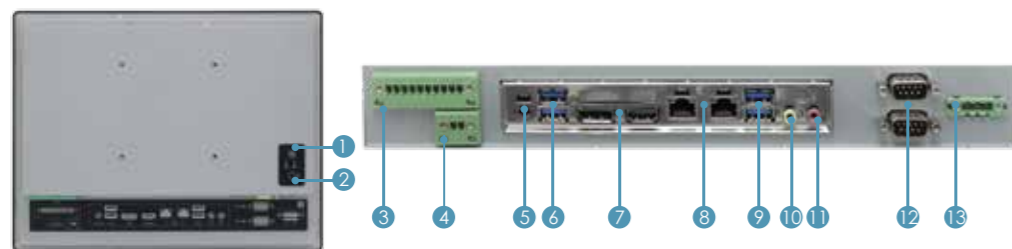
15" Panel PC / Intel® Apollo Lake Celeron Processor

Feature

- 15" TFT LCD with 70,000 hrs backlight lifetime
True-flat touchscreen with projected capaci-
- Front panel IP65-rated, fanless design
- Inside Intel® Apollo Lake-M N3350 Processor

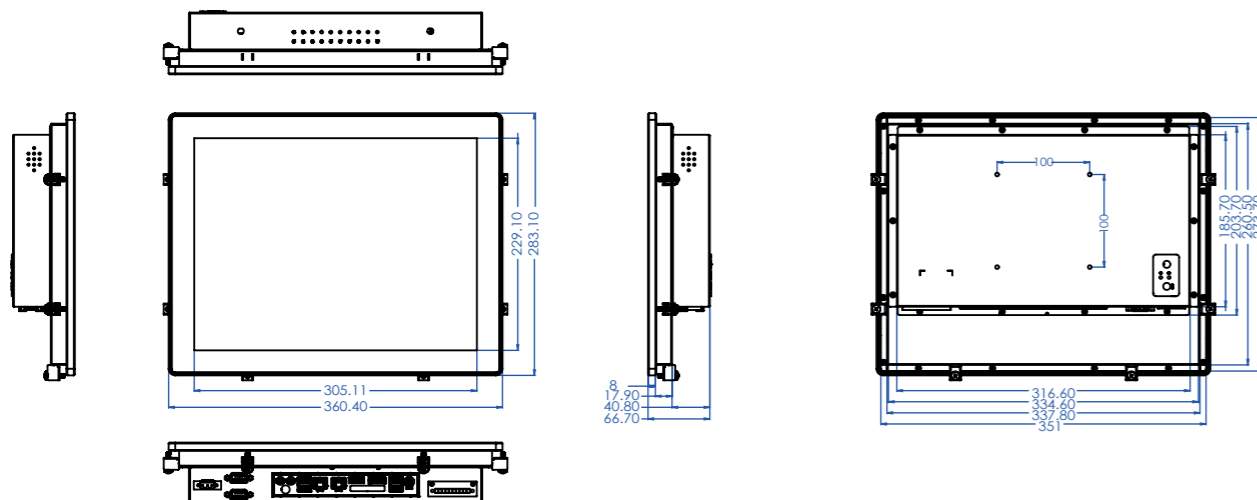


I/O Interface



- 1 Power
- 2 Reset
- 3 8bit GPIO
- 4 Remote Power on/off
- 5 DC-in (DC Jack)
- 6 USB 3.0
- 7 DisplayPort
- 8 HDMI
- 9 Giga LAN
- 10 USB 3.0
- 11 Mic-in, Line-out
- 12 COM
- 13 DC-in (terminal block)

Dimension (mm)



P150-10AI Industrial Panel PC

LCD	
Display Type	15" TFT-LCD
Max. Resolution	1024 x 768
Max. Colors	16.7M (8 bit/color)
Luminance (cd/m2)	300
Viewing Angle (H/V)	176°/176°
Led Backlight (Hours)	70,000
High Brightness	Option
TOUCH SCREEN	
Type	P-CAP
Touch Screen	True-flat 10 points
AR/AG	Option
SYSTEM	
Processor	Intel® Apollo Lake-M N3350 Processor Option: N4200
Chipset	Intel® SoC integrated
System Memory	DDR3L 1866 MHz, 2 x 204-pin SO-DIMM, Max. 8GB (Non-ECC)
Ethernet	2 x Intel® I211-AT Giga LAN 1 x DC in terminal block 1 x DC Jack 4 x USB3.0 2 x RS232 2 x RJ45
I/O Port	1 x DisplayPort 1 x HDMI 1 x Mic-in, 1 x Line-out 1 x 8bit GPIO terminal block
Watchdog Timer	1~255 steps by software program
Storage Disk Drive	1 x SATA 2.5" HDD/SSD bay
Expansion Slot	1 x M.2 2280 B key 1 x M.2 2230 E key (PCIe / USB)
Stereo Speaker	2 x 2W
Os Support	Windows® 10 enterprise 1703

POWER REQUIREMENT	
Power Input	DC 8 ~ 24V
Power Adapter	AC to DC, DC19V 65W adapter
MECHANICAL	
Dimension	283.1 x 360.4 x 66.7mm (W X D X H)
Weight	TBD
Mounting	VESA 100mm / Panel Mount
ENVIRONMENTAL	
Operating Temperature	-20°C ~ 60°C
Storage Temperature	-20°C ~ 70°C
Storage Humidity	10% ~ 95% @40°C non-condensing
Vibration Resistance	Operating Random Vibration Test 5 ~ 500Hz; 2Grms @with SSD, follow IEC 60068-2-64
Shock Resistance	Operating 10 G peak acceleration (11 ms duration), follow IEC 60068-2-27
EMC	CE, FCC Class B
Front Panel Protection	IP65 Compliant

Ordering Information

System I/O									
Model Number	CPU	DisplayPort	HDMI	USB 3.0 / 2.0	GPIO	RS-232	LAN	Wifi / BT	Power
P150-10AI- N3350	N3350	1	1	4 / 0	1	2	2	Optional	8~24V
P150-10AI- N4200	N4200	1	1	4 / 0	1	2	2	Optional	8~24V

Packing List

Packing		
1 x Motherboard	1 x 3 pin Terminal Block Power Connector	1 x US + EU Poower Cord
1 x Driver CD	1 x Power Adapter (19V, 65W, DC Jack Type)	1 x Quick Installation Guide
1 x Panel PC	1 x 10 pin Terminal Male Connector	1 x Screws kit