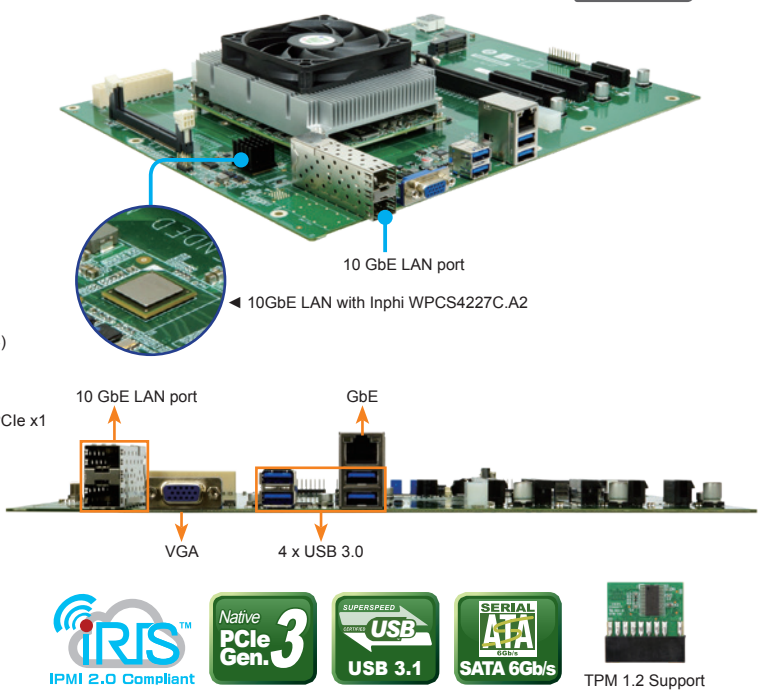
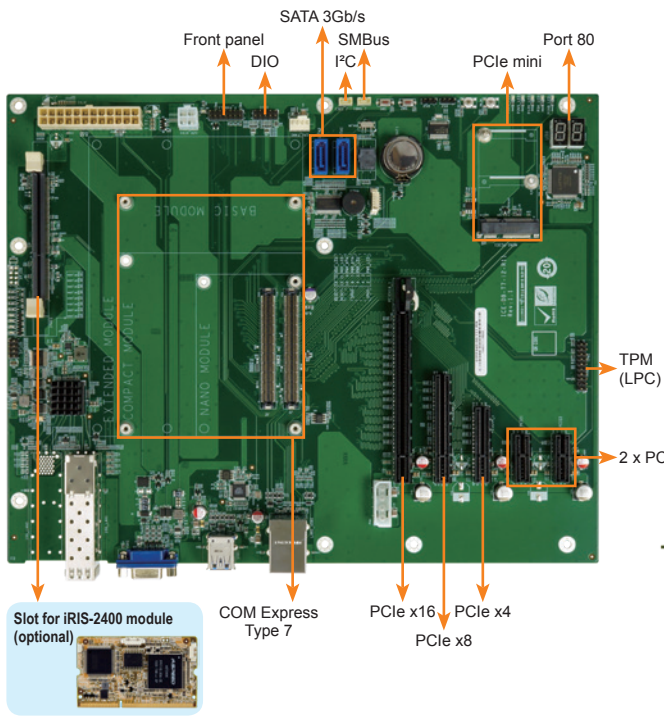


TYPE 7

ICE-DB-T7-i2

Base Board for COM Express Type 7 Module COM.0 Rev. 3.0

New



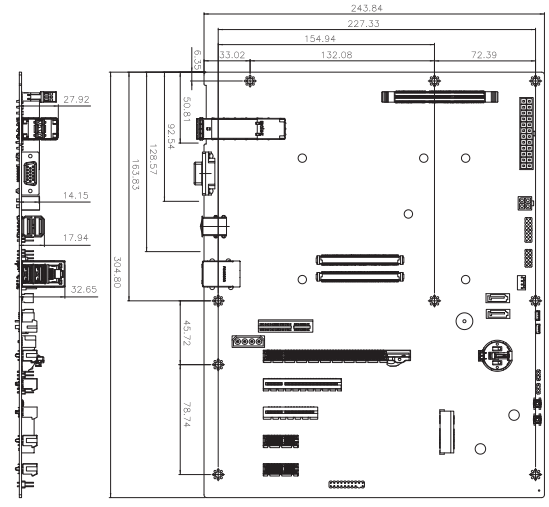
Specifications

- ◆ Form Factor
ATX form factor base board
- ◆ CPU
Supports COM Express Compact / Basic module using connector pin out Type 7
- ◆ Display Interfaces
1 x VGA from iRIS-2400
- ◆ Expansion
1 x PCIe x4 (x4 Gen 2 signal) 1 x PCIe x4 (x1 Gen 2) (x4 signal option)
1 x PCIe x16 (x16 Gen 3 signal) 2 x PCIe x1 (x1 Gen 2)
1 x PCIe x8 (x8 Gen 3 signal)
- ◆ Internal I/O Interface
1 x Mini-PCIe 2 x RS-232 from COM Express (only TX, RX, GND)
2 x SATA port 2 x RS-232 from SIO
- ◆ rear I/O Interface
4 x USB 3.0
1 x RJ45 connector
1 x VGA (Display output depends on CPU sku)
- ◆ TPM
2 x 10-pin pin header support LPC interface
- ◆ 80 port
2 x 7 segment display
- ◆ Front Panel
1 x Front_Panel (Power LED, HDD LED, Speaker(Buzzer), Power Button, Reset Button)
- ◆ iRIS Remote Management Module
1 x iRIS-2400 slot
- ◆ I²C
1 x I²C (1 x 4-pin wafer)
- ◆ SMBus
1 x SMBus (1 x 4 pin wafer)
- ◆ Internal storage
EEPROM (support EAP1 R1.0)
- ◆ Watchdog Timer
Software Programmable support 1~255 sec system reset
- ◆ GPIO
8-bit GPIO
- ◆ Power Supply
ATX / AT Power Supply
24+4 pin
- ◆ Fan Connector
1 x 4-pin / 1x 3 pin CPU module fan connector
1 x 3-pin system fan connector by SIO
- ◆ Temperature
-40°C ~ 85°C
- ◆ Humidity
5% ~ 95%, non-condensing
- ◆ Dimensions
304.8 mm x 243.8 mm (12" x 9.6")
- ◆ CE/FCC compliant

Features

- ATX form factor base board for COM.0 Rev. 3.0 Pin-out Type 7
- Support 2 x 10GbE PHY (WPCS4227C.A2)
- Support 32 PCIe lanes
- Support PICMG EAP1 R1.0
- Support IPMI 2.0 via iRIS-2400 module

Dimensions (Unit: mm)



Packing List

1 x COM Express Baseboard	1 x Mini jumper pack
1 x Dual ports RS-232 cable (P/N: 19800-000051-RS)	1 x QIG
2 x SATA cable (P/N: 32000-062800-RS)	

Ordering Information

Part No.	Description
ICE-DB-T7-i2-R11	Base Board for COM Express Type 7 Module COM.0 Rev. 3.0, support PICMG EAP1 R1.0, iRIS-2400
iRIS-2400-R10	IPMI 2.0 adapter card with AST2400 BMC chip for DDR3 SO-DIMM socket interface