

Beschreibung/Description	MX1-10FEP ADAPTER 220W
Beschreibung2/Description2	Power Adapter 220W/24V/9,2A/3P/Terminal Block/EU
Artikelnummer/Part N°	144279

Features

- Active PFC Function
- DoE Compliance
- RoHS Compliance
- IEC320 C14
- Over Voltage Protective Installation
- Over Current Protective Installation
- Over Temperature Protective Installation
- Short Circuit Protective Installation
- LED Indication
- MTBF: >50,000 hours

Model No.	P out	U Out	Min. Load	Max. Load	Load regulation	Line regulation	Ripple/Noise	DC Connector
EA12501J-2400	220W	24 VDC	0A	9,17A	5%	1%	350mV	3 Pin

NOTE:

- 1 : Ripple & noise is measured by using 20MHz bandwidth limited oscilloscope and terminated each output with a 0.1uF ceramic capacitor & parallel with 47uF aluminum capacitor at full load and nominal line.
 2 : Line regulation is defined by changing $\pm 10\%$ of input voltage from nominal line at rated load.

Input

- Input Range 100 to 240 VAC
- Frequency 50 to 60Hz
- Input Current 3.5 to 2.5A
- Inrush Current $\leq 100A$ at cold start
- Efficiency Meet CEC Level VI (DoE), CoC Tier 2
- Hold Up Time $\geq 8.3mS$
- Turn On Time $\leq 3S$

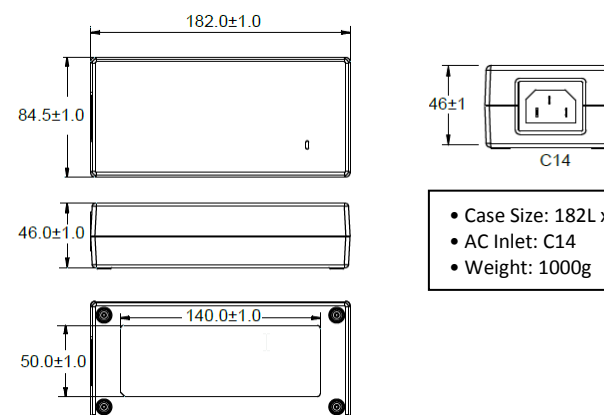
Output

- Over Voltage Protection Auto Recovery or Latch Off
- Short Circuit Protection Auto Recovery
- Over Current Protection Auto Recovery
- Over Temperature Protection Latch off

Environmental

- Operating Temperature 0 to 40°C
- Storage Temperature -20 to 85°C
- Storage Humidity 5% to 95%

Mechanical specification



- Case Size: 182L x 84.5W x 46H (mm)
- AC Inlet: C14
- Weight: 1000g