

General Spec.

Impedance : 50ohm (Normal)

Frequency Range : 0-6 GHz

Working Voltage :

0.81~1.37 : 125 VRMS max

RG-178 : 250 VRMS max

RG-316 „.085“: 335 VRMS max

Dielectric Withstanding Voltage:

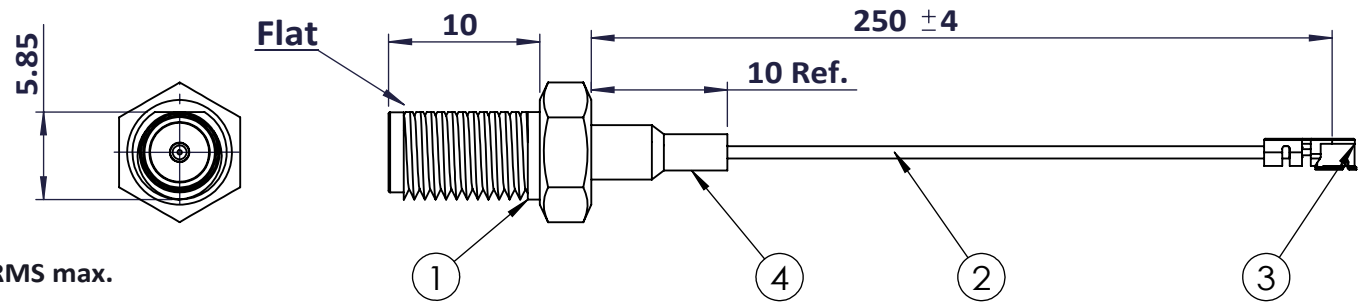
OD0.8mm;1.13mm1.32mm;1.33mm : 125 VRMS max.

RG-178 : 170 VRMS max

RG-316 „.085“: 250 VRMS max

Insulator Resistance : 1000 Megohms min

Temperature Range : -40°C~85°C



Material : SMA

Body, Metal parts :Brass per QQ-B-626 Gold flase

Center Contacts :

Male: Brass per QQ-B-626 Gold flase

Female: Phosphor Bronze Gold flase

Insulators : Teflon

MHF

Type : 20448-001R-081

Contact : Phosphor Bronze : Au over Ni

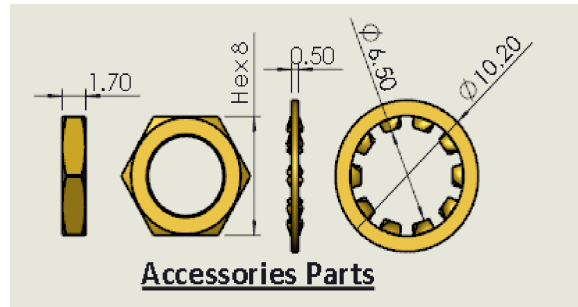
Ground contact : Phosphor Bronze : Au over Ni

Housing :PBT UL94V-0

Insulator Resistance : Initial 500 Mohms min

Dielectric Withstanding Voltage: 200 VAC/Minute

Durability : 30 cycles



Electrical Spec

VSWR : 1.3 max @1- 6 GHz

Attenuation : (Return Loss)

Connector Loss : 0.06 x SQRT(f GHz)

Cable Loss : Cable Length x Cable Attenuation

Assemble Loss : 0.1dB x Conn. Q'ty

* Note 1

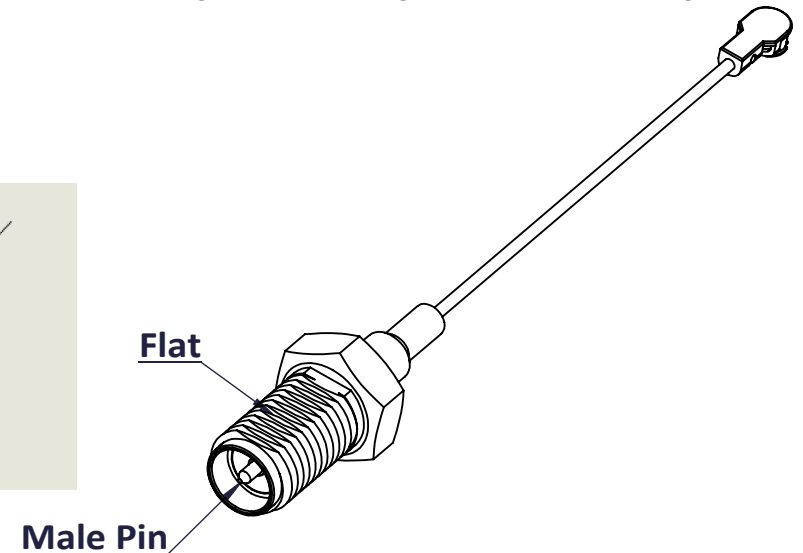
General Dimension: (Length tolerance)

Cable Length : * Note 1

60-100 mm = ±2mm

100-200 mm =±3mm

200-500mm = ±4mm



LCT
2018.06.11
kaven

LCT
2018.06.08
Selina

LCT
2018.06.08
CSH