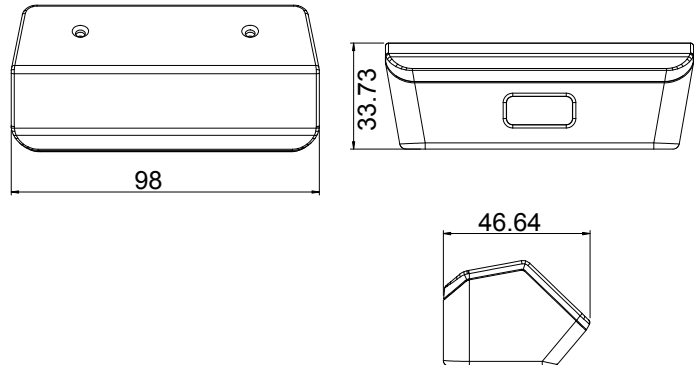


» AFL3-2D Specifications



AFL3-2D-R11 Dimensions (Unit: mm)



Model		AFL3-2D-R11
Image Sensor		752 × 480 CMOS
Illumination		Red LED 625±10 nm
Symbologies	2D	PDF417, Data Matrix (ECC200,ECC000,050,080,100,140), QR Code, etc.
	1D	Code128, EAN-13, EAN-8, Code39, UPC-A, UPC-E, Codabar, Interleaved 2 of 5, ITF-6, ITF-14, ISBN, Code 93, UCC/EAN-128, GS1 Databar, Matrix 2 of 5, Code 11, Industrial 2 of 5, Standard 2 of 5, Plessey, MSI-Plessey, etc.
Reading Precision		≥ 5mil
Depth of Field	UPC-A	55mm - 305mm (13mil);
	PDF417	65mm - 175mm (6.67mil); 50mm - 215mm (10mil)
	Data Matrix	50mm - 220mm (15mil);
	QR Code	65mm - 235mm (15mil)
Symbol Contrast		≥ 25%
Field of View		Horizontal 42°; Vertical 27.5°
Scan Angle**		Roll: 360°; Pitch: ±55°; Skew: ±55°
Interface		USB
Operating Temperature		-20°C to +60°C
Storage Temperature		-40°C to +80°C
Humidity		5% to 95% (non-condensing)
Ambient Light		0 ~ 100,000 LUX (natural light)
Scanning prompt		Buzzer

» Magnetic Card Reader

Model	AFLP-12AMSR-U-R11
Scan Speed	100 - 1000 mm / sec (3.9 - 39 inch / sec)
Direction	Bi-direction
Life Cycle	Approx. 300,000 passes
MTBF	24,000 hours
Interface	USB
Dimensions	21 cm X 11.7 cm X 5 cm
Weight	220 g
Temperature	-20 oC to 60 oC (-4 oF to 140 oF)
Humidity	20% to 95%

