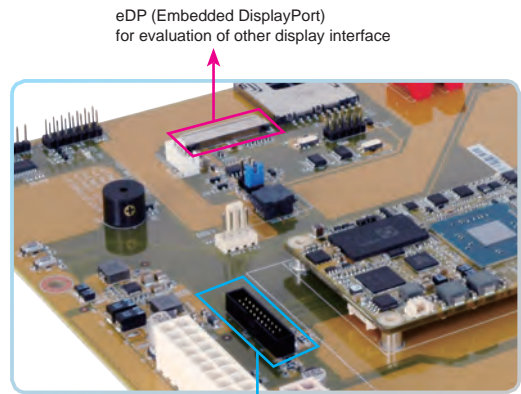
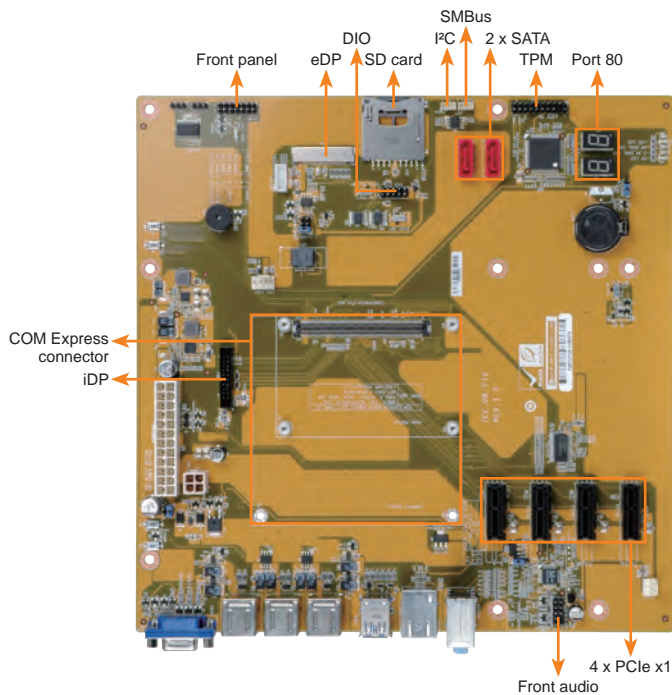
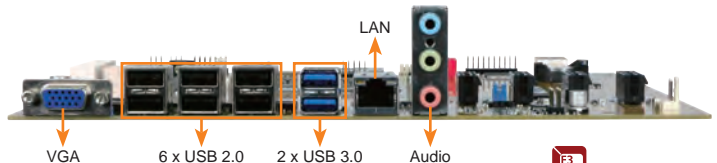


TYPE 10

ICE-DB-T10

Baseboard for COM Express Type 10 Module COM.0 Rev. 2.1, support PICMG EAPI R1.0

eDP (Embedded DisplayPort)
for evaluation of other display interfaceiDP (IEI internal DisplayPort)
for evaluation of other display interface

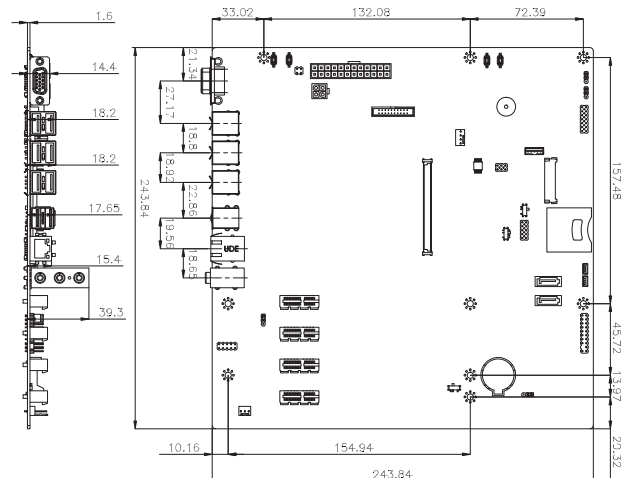
Specifications

- ◆ Form Factor
microATX form factor baseboard (244mm x 244mm)
- ◆ COM Express type
Supports COM Express Compact/Mini module using connector pin out Type 10
- ◆ Display Interfaces
1 x eDP
1 x VGA
1 x DisplayPort pin-header
- ◆ Audio
Realtek ALC662 HD Audio codec (Line-in, Line-out, Mic)
- ◆ Internal I/O Interface
4 x PCIe x1 1 x LPC
2 x SATA port 1 x SD card socket
2 x RS-232 from COM Express (only TX, RX, GND)
- ◆ External I/O Interface
1 x VGA 1 x Audio jack (Line-in, Line-out, Mic)
2 x USB 3.0 6 x USB 2.0
1 x RJ-45
- ◆ Front Audio
1 x Front audio (2x5 pin)
- ◆ TPM
1 x TPM connector (2x10 pin)
- ◆ 80 Port
1 x 80 port (2x7 segment display)
- ◆ Front Panel
1 x Front panel (2x7 pin, power LED, HDD LED, speaker(Buzzer), power button, reset button)
- ◆ I2C
1 x I2C (1x4 pin)
- ◆ SMBus
1 x SMBus (1x4 pin)
- ◆ Internal Storage
EEPROM (support EAPI R1.0)
- ◆ LPC
1 x LPC
- ◆ Fan Connector
1 x 4-pin / 1 x 3 pin CPU module fan connector
- ◆ Watchdog Timer
Software programmable, support 1~255 sec. system reset
- ◆ Power Supply
ATX / AT power supply
24+4 pin
- ◆ Operating Temperature
-20°C ~ 60°C
- ◆ Storage Temperature
-30°C ~ 70°C
- ◆ Operating Humidity
5% ~ 95%, non-condensing
- ◆ Dimensions
243.8 mm x 243.8 mm (9.6" x 9.6")
- ◆ CE/FCC compliant

Features

- mATX form factor baseboard for COM.0 Rev. 2.1, Pin-out Type 10
- Support four PCIe x1
- Support eDP, VGA and iDP
- Support PICMG EAPI R1.0

Dimensions (Unit: mm)



Packing List

1 x COM Express Baseboard	1 x SATA cable
1 x Mini jumper pack	1 x QIG

Ordering Information

Part No.	Description
ICE-DB-T10-R10	Baseboard for COM Express Type 10 Module COM.0 Rev. 2.1, support PICMG EAPI R1.0
19800-000082-RS	RS-232/422/485 cable, 14-pin to dual DB-9, 230mm, P=2.54
32102-000100-200-RS	SATA power cable, MOLEX 5264-4P to SATA15P