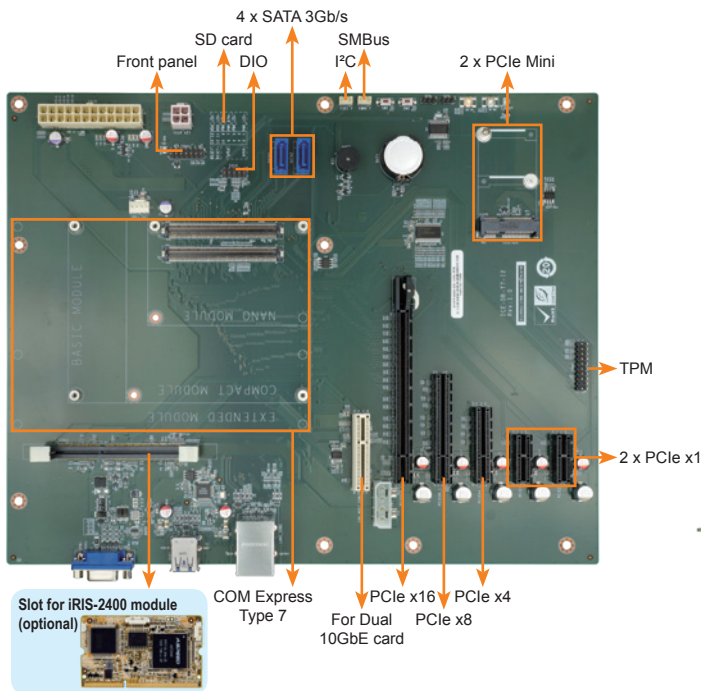


TYPE 7

# ICE-DB-T7-i2

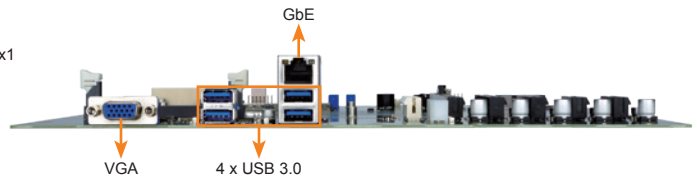
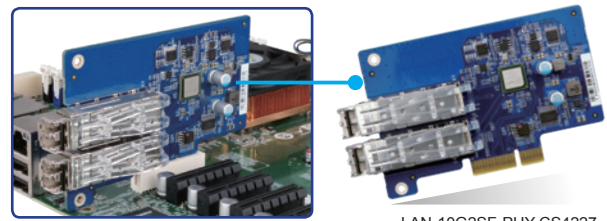
Base Board for COM Express Type 7 Module COM.0 Rev. 2.1

**New**

## High-speed 10GbE Add-on Card Support

### Integrated 10GbE LAN Interface

10GbE LAN card meets customer demand for high-speed internet



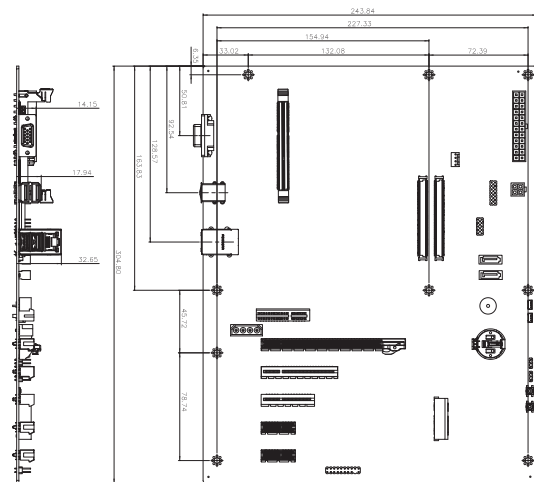
## Specifications

- ◆ Form Factor
  - ATX form factor baseboard
- ◆ CPU
  - Supports COM Express Compact / Basic module using connector pinout Type 7
- ◆ Display Interfaces
  - 1 x VGA from iRIS-2400
- ◆ Expansion
  - 1 x PCIe x16 (x16 Gen 3 signal)
  - 1 x PCIe x8 (x8 Gen 3 signal)
  - 1 x PCIe x4 for 10GbE PHY card
  - 1 x PCIe x4 (x4 Gen 2 signal)
  - 1 x PCIe x4 (x1 Gen 2) (x4 signal option)
  - 2 x PCIe x1 (x1 Gen 2)
- ◆ Internal I/O Interface
  - 2 x RS-232 from COM Express (only TX, RX, GND)
  - 2 x RS-232 from SIO
  - 2 x SATA port
- ◆ Rear I/O Interface
  - 4 x USB 3.0
  - 1 x VGA
  - 1 x RJ-45 connector
- ◆ TPM
  - 1 x TPM (2x10 pin header)
- ◆ 80 port
  - 2 x 7 segment display
- ◆ Front Panel
  - 1 x Front\_Panel (Power LED, HDD LED, Speaker (Buzzer), Power Button, Reset Button)
- ◆ iRIS Remote Management Module
  - 1 x iRIS-2400 slot
- ◆ I<sup>2</sup>C
  - 1 x I<sup>2</sup>C (1x4 pin wafer)
- ◆ SMBus
  - 1 x SMBus (1x4 pin wafer)
- ◆ Internal Storage
  - EEPROM (support EAP1 R1.0)
- ◆ Watchdog Timer
  - Software programmable, supports 1~255 sec system reset
- ◆ GPIO
  - 8-bit GPIO
- ◆ Power Supply
  - ATX / AT Power Supply
  - 24+4 pin
- ◆ Fan Connector
  - 1 x 4-pin / 1x 3 pin CPU module fan connector
  - 1 x 3-pin system fan connector by SIO
- ◆ Temperature
  - 40°C ~ 85°C
- ◆ Operating Humidity
  - 5% ~ 95%, non-condensing
- ◆ Dimensions
  - 304.8 mm x 243.8 mm (12" x 9.6")
- ◆ Weight: GW:590g / NW:390g
- ◆ CE/FCC compliant

## Features

- ATX form factor baseboard for COM.0 Rev. 3.0, pinout Type 7
- Support 1 x PCIe x8 for 10GbE PHY card
- Support 32 PCIe lanes
- Support PICMG EAP1 R1.0
- Support IPMI 2.0 via iRIS-2400 module

## Dimensions (Unit: mm)



## Packing List

1 x COM Express Baseboard	1 x Mini jumper pack
1 x SATA cable (P/N: 32000-062800-RS)	1 x QIG

## Ordering Information

Part No.	Description
ICE-DB-T7-i2-R10	Baseboard for COM Express Type 7 Module COM.0 Rev. 2.1, support PICMG EAP1 R1.0, iRIS-2400
LAN-10G2SF-PHY-CS4227	10 GbE LAN card, dual port support, RoHS
iRIS-2400-R10	IPMI 2.0 adapter card with AST2400 BMC chip for DDR3 SO-DIMM socket interface