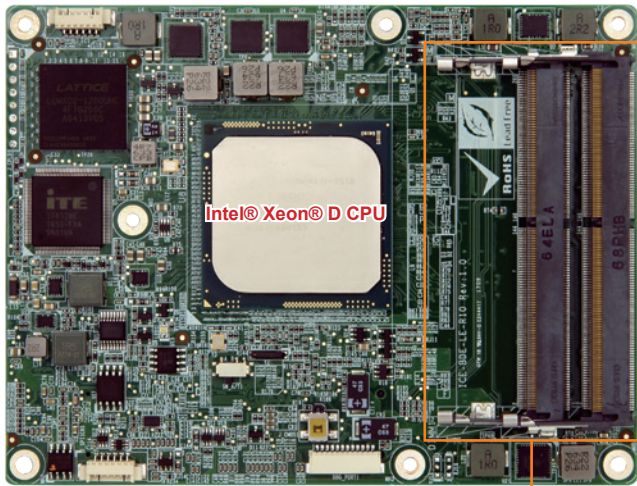


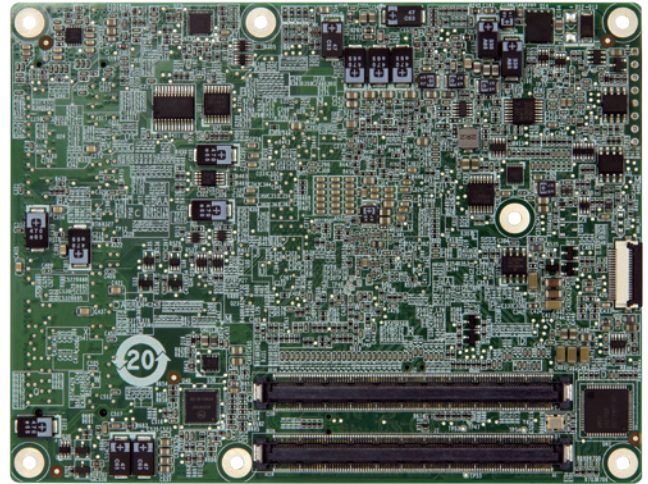
TYPE 7

ICE-BDE-T7

COM Express Basic Size Type 7 Module Support, Intel® Broadwell-DE Processor D-1500, Two ECC DDR4 SO-DIMM, GbE, 10G KR, NCSI, SATA 6Gb/s, USB 3.0, PCIe Gen3, RoHS



Dual-channel DDR4 2133/1867 MHz



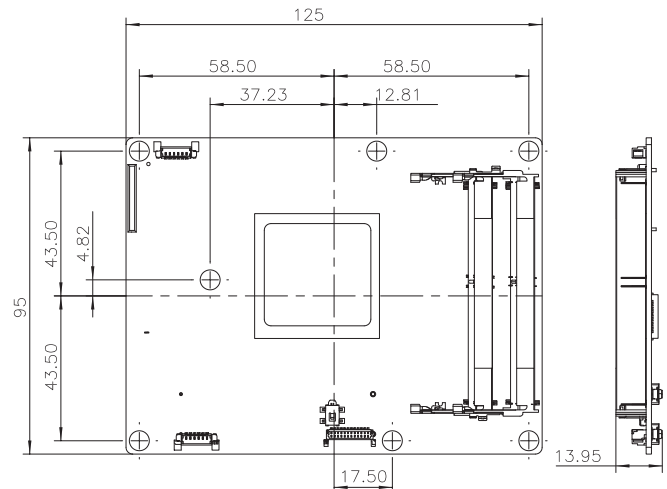
Specifications

- ◆ Form Factor
PICMG COM.0 R2.1 Basic Type 7 (125mm x 95mm)
- ◆ CPU
Intel® Xeon® Processor D-1548 (12MB Cache, 2.00 GHz)
Intel® Xeon® Processor D-1518 (6MB Cache, 2.20 GHz)
Intel® Xeon® Processor D-1508 (3MB Cache, 2.20 GHz)
- ◆ Memory
Two 240-pin 2133/1867 MHz dual-channel DDR4 SDRAM unbuffered DIMM supported (system max. 32GB)
Support ECC
- ◆ BIOS
UEFI BIOS
- ◆ Ethernet
Intel® I210
2 x 10G KR interfaces
10G sideband signals
(10G_INT 10G_PHY_MDC/MDIO 10G_PHY_SEL 10G_PHY_RST 10G_LED_I2C 10G_SFP_I2C 10G_SDP)
- ◆ I/O Interface
2 x RS-232 (2-wire) to base board
4 x USB 2.0 to base board
4 x USB 3.0 to base board
2 x SATA 6Gb/s signal to base board
- ◆ SMBus
Yes, to base board
- ◆ I2C
Yes, to base board
- ◆ LPC
Yes, to base board
- ◆ Expansion
1 x PCIe x16 Gen 3 (bifurcatable to 2 x8, 1 x8 & 2 x4, or 4 x4)
1 x PCIe x8 Gen 3 (bifurcatable to 1 x8 & 2 x4)
8 x PCIe x1 (Gen2) signal to base board
Bifurcatable to 1 x8 or 2 x4 or 4 x1+1x4 or 8 x1
- ◆ Watchdog Timer
Software programmable, supports 1~255 sec. system reset
- ◆ GPIO
8-bit GPIO, to base board
- ◆ TPM
Through base board
- ◆ Power Supply
12V: 12VSB±5%
- ◆ Power Consumption
TBD
- ◆ Operating Temperature
Standard: -20°C ~ 60°C
Storage: -30°C ~ 70°C
- ◆ Operating Humidity
5% ~ 95%, non-condensing
- ◆ Dimensions
125 mm x 95 mm
- ◆ Weight
GW: 600g/ NW: 300g
- ◆ CE/FCC compliant

Features

- COM Express basic size Type 7 module
- Intel® Xeon® D and Pentium® D SoC (up to 16 cores)
- Up to 32GB dual channel DDR4 at 1866/2133/2400MHz ECC (dependent on SoC SKU)
- Two 10G Ethernet and NC-SI support
- Up to 32 PCIe lanes (24 x Gen3, 8 x Gen2)
- GbE, two SATA 6Gb/s, four USB 3.0/2.0

Dimensions (Unit: mm)



Packing List

1 x ICE-BDE-T7 single board computer	1 x Driver CD
1 x Heatsink	1 x QIG

Ordering Information

Part No.	Description
ICE-BDE-T7-1548-R10	COM Express Basic size Type 7 Module support, Intel® Broadwell-DE Eight-Core processor D-1548 (45W), two ECC DDR4 SO-DIMM, GbE, 10G KR, NCSI, SATA 6Gb/s, USB 3.0, PCIe Gen3, RoHS
ICE-BDE-T7-1518-R10	COM Express Basic size Type 7 Module support, Intel® Broadwell-DE Quad-Core processor D-1518 (35W), two ECC DDR4 SO-DIMM, GbE, 10G KR, NCSI, SATA 6Gb/s, USB 3.0, PCIe Gen3, RoHS
ICE-BDE-T7-1508-R10	COM Express Basic size Type 7 Module support, Intel® Broadwell-DE Dual-core Pentium® processor D1508 (25W), Two ECC DDR4 SO-DIMM, GbE, 10G KR, NCSI, SATA 6Gb/s, USB 3.0, PCIe Gen3, RoHS
ICE-DB-T7-i2-R10	Base Board for COM Express Type 7 Module