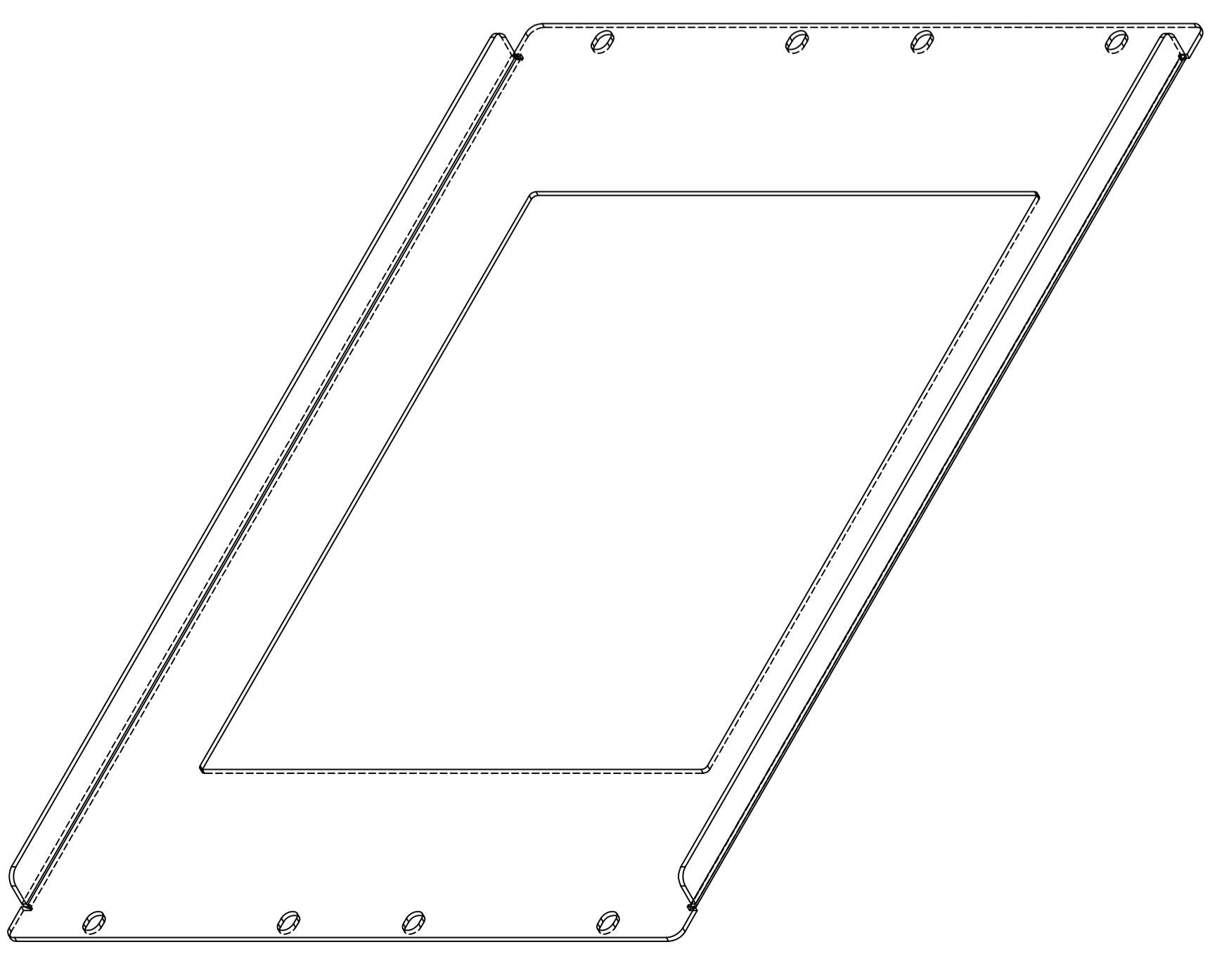


- Note:
1. Material: SECC
 2. Thickness: 2.0mm
 3. Surface treatment: PMS BLACK C SMALL POINT TEXTURE
 4. Break all sharp edges & corners free from burrs. finished part must be free of all deburring shavings and particles.
 5. Nut & Standoff must be precisely firmed.
 6. Unspecified radius is R=2mm.
 7. Unspecified internal radius is R=0.5mm.
 8. (A) ~ (E) are critical dimensions.



5			
4			
3			
2			
1			
REV	DESCRIPTION	SIGN	DATE

The componet should be comply with the prohibit of hazardous substances in the RoHS Directive.

RANGE (mm)	Common	Tolerance	ANGLE	±1°
0~25		±0.10		
25~80		±0.15		
80~200		±0.20		
200~400		±0.30		
400~		±0.40		

APPROVE	James Shih	2012.01.11	Armorlink Electronics Inc. TITLE RACK-MOUNTING
CHECK	James Shih	2012.01.11	
DESIGN	Toby Xu	2012.01.11	
DRAWN	Toby Xu	2012.01.11	
UNIT: mm	SCALE: 1:1		MODEL
FILE NO: 41020-0345C2-00-R5	SIZE: A0		AFL2-12A-D525
			PART NO: 41020-0345C2-00-R5