

REVISION	DESCRIPTION	SIGN	DATE
1			

APPROVE	James Shin	2012.0915
CHECK	James Shin	2012.0915
DESIGN	boycehu	2012.0915
DRAWN	boycehu	2012.0915

RANGE (mm)	Common Tolerance
0~25	± 0.10
25~80	± 0.15
80~200	± 0.20
200~400	± 0.30
400~	± 0.40

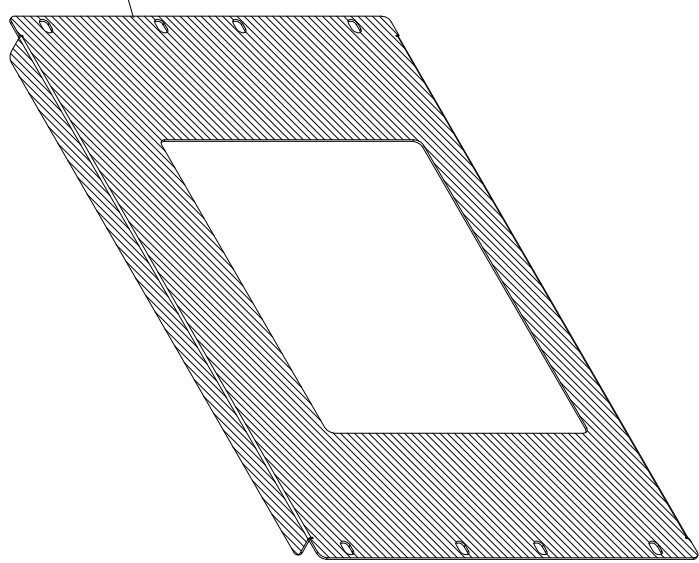
ANGLE	± 1°
-------	------

FILE NO:	41020-0360C2-00-R3
SCALE:	1:1
SIZE:	A4

TITLE	ARMORLINK ELECTRONICS INC.
MODEL	AF L2ME-10A
PART NO:	41020-0360C2-00-R3



正反面全喷黑色织纹漆

- Note:
- 1.Material: SECC, Thickness: 1.5mm
  - 2.Surface treatment: Painting(PMS Cool BLACK C 黑色织纹漆)
  - 3.Break all sharp edges & corners free from burrs, finished part must be free of all deburring shavings and particles.
  - 4.Nut & Standoff must be precisely firmed.
  - 5.Unspecified radius is R=2mm.
  - 6.Unspecified internal radius is R=10mm.
  - 7.check point: (A) ~ (G).

The component should be comply with the prohibitor of hazardous substances the Rohs Directive.