

E-Window Module Series

**(E-MPCIE-LAN, E-MPCIE-LAN02, E-MPCIE-LAN03,
E-MPCIE-DLAN, E-MPCIE-DLAN02, E-MPCIE-3G)**

Quick Installation Guide

v1.01



Copyright ©2018 IEI Integration Corp.
All rights reserved.

E-MPCIE-LAN

Specifications

- Form Factor: PCI Express Mini card
- Ethernet Controller: Realtek RTL8111E
- Speed: 10/100/1000Mbps
- External Connector: 1 x 8-pin RJ-45
- Compatible OS:
Windows 2000 / XP/ Server 2003 / Server 2008 / Vista / 7
Linux kernel version 2.6.32 or above
- Power Supply: On board 3.3V
- Operating Temperature: -10°C ~ 70°C
- Operating Humidity: 5% ~ 95%, non-condensing
- Dimensions (LxW): 51 mm x 30 mm
- Weight: 70 g
- CE/FCC compliant

Packing List

- 1 x E-MPCIE-LAN module
- 2 x Flat cable (pitch=1.25mm)
- 1 x QIG

Ordering Information

- **E-MPCIE-LAN-R10**: PCIe Mini card supports 1-port GbE with Realtek RTL8111E controller, PMS 194C I/O bracket and 250mm cable
- **E-MPCIE-LAN02-R10**: PCIe Mini card supports 1-port GbE with Realtek RTL8111E controller, PMS 194C I/O bracket and 340 mm cable
- **E-MPCIE-LAN03-R10**: PCIe Mini card supports 1-port GbE with Realtek RTL8111E controller, PMS 194C I/O bracket and 150 mm cable

E-MPCIE-DLAN

Specifications

- Form Factor: PCI Express Mini card
- BIOS: UEFI BIOS
- Ethernet Controller: Dual Intel® I210-IT
- Speed: 10/100/1000Mbps
- External Connector: 2 x 8-pin RJ-45
- Compatible OS:
Windows XP/ Server 2003 / Server 2008 / Vista / 7 / 8.1 / 10
Linux kernel version 2.6.32 or above
- Power Supply: On board 3.3V
- Operating Temperature: -10°C ~ 70°C
- Operating Humidity: 5% ~ 95%, non-condensing
- Dimensions (LxW): 51 mm x 30 mm
- Weight: 55 g
- CE/FCC compliant

Packing List

- 1 x E-MPCIE-DLAN module
- 2 x Flat cable (pitch=1.25mm)
- 1 x QIG

Ordering Information

- **E-MPCIE-DLAN-R10:** PCIe Mini card supports 2-port GbE with Intel® I211 controller, PMS 194C I/O bracket and 250mm cable
- **E-MPCIE-DLAN02-R10:** PCIe Mini card supports 2-port GbE with Intel® I211 controller, PMS 194C I/O bracket and 150mm cable

E-MPCIE-3G

Specifications

- Form Factor:
PCI Express Mini card
Antenna 50Ohms. Main GSM/UMTS antenna
- Frequency Bands:
GSM/GPRS/EDGE: 850/900/1800/1900 GPRS/EDGE Class12
UMTS/HSPA+: Dual band UMTS 800/850/900/1900/2100 MHz
- USB: USB 2.0 High Speed (480Mbit/s) device interface
- Compatible OS:
Windows®8, Windows®7, Windows EC, Linux, Android
- Operating Temperature
Normal operation: -30°C to +85°C
Restricted operation: -40°C to +95°C
- Dimensions (W x D x H): 51.0 mm × 30.0 mm × 4.75 mm

Packing List

- 1 x PCI Express Mini 3G adapter card

Ordering Information

- **E-MPCIE-3G-R10: PCIe** Mini card supports 3G WWAN module, PMS 130C I/O bracket, RF antenna 300mm cable and GSM antenna cable
- **32501-000705-100-RS:** Internal antenna 213mm cable
- **32503-000100-100-RS:** GSM external 300mm antenna cable

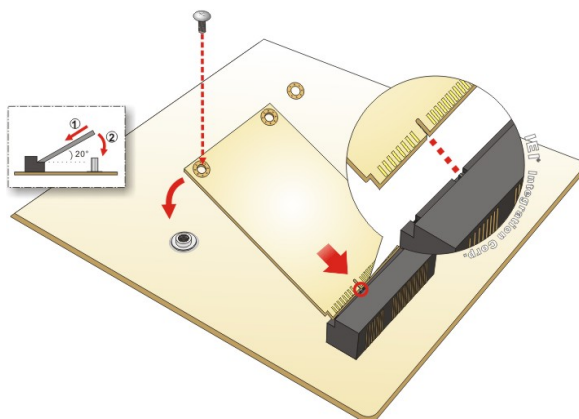
Installation Procedure



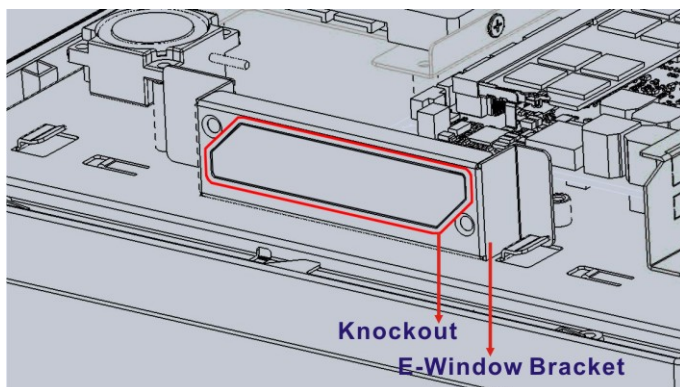
NOTE:

The E-MPCIE-LAN module is taken as an example for illustrating installation instructions in this document.

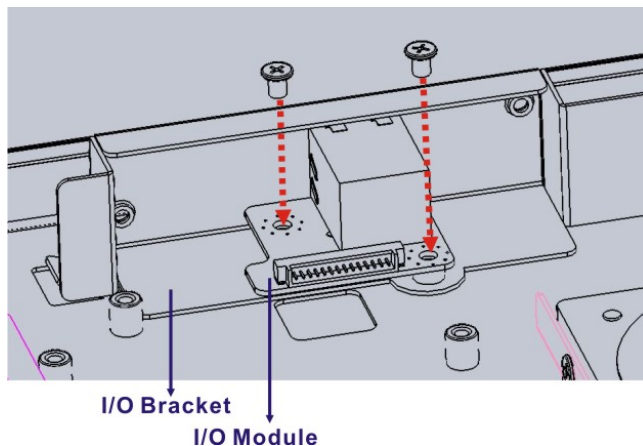
- Step 1:** Open the system cover to access the inside of the system. Please refer to the system manual for detailed instruction.
- Step 2:** Install the PCIe Mini module into the PCIe Mini slot of the system.



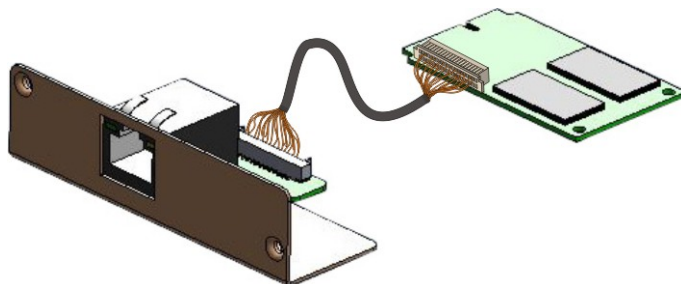
- Step 3:** Remove the knockout on the E-Window bracket of the IEI system.



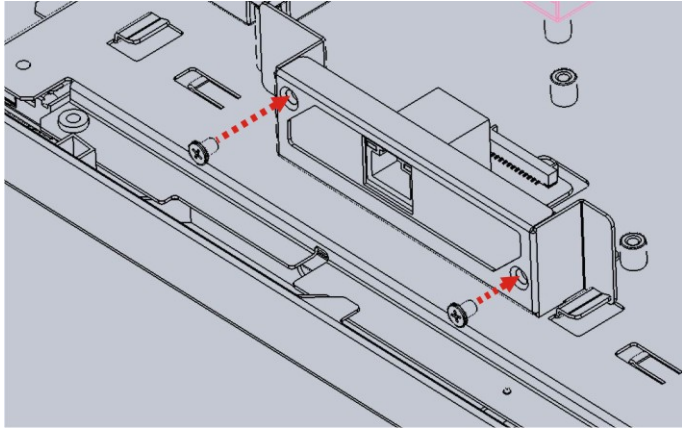
Step 4: Secure the I/O module and the I/O bracket to the system chassis by fastening the screw(s). The required number of retention screw may vary by the type of I/O module.



Step 5: Use the cable provided in the package to connect the PCIe Mini module with the I/O module.



Step 6: Secure the I/O bracket to the E-Window bracket by fastening two retention screws.



Step 7: Re-install the cover.



NOTE:

If the E-Window module does not have an I/O module, skip **Step 4~6** and do the following:

1. Secure the external connector(s) of the cable to the I/O bracket.
Connect the other end of the cable to the PCIe Mini module installed on the system.
 2. Secure the I/O bracket to the E-Window bracket by fastening two retention screws. Re-install the cover.
-



According to the requirement of the WEEE legislation the following user information is provided to customers for all branded IEI Electronics products subject to the WEEE directive.

This symbol on the product or on its packaging indicates that this product must not be disposed of with your other household waste. Instead, it is your responsibility to dispose of your waste equipment by handing it over to a designated collection point for the recycling of waste electrical and electronic equipment. The separate collection and recycling of your waste equipment at the time of disposal will help to conserve natural resources and ensure that it is recycled in a manner that protects human health and the environment. For more information about where you can drop o- your waste equipment for recycling, please contact your local city office, your household waste disposal service or the shop where you purchased the product.

Headquarters

威強電工業電腦 IEI Integration Corp.

No. 29, ZhongXing Rd., Xizhi Dist.,
New Taipei City 221, Taiwan
TEL: +886-2-8691-6798/+886-2-2690-2098
FAX: +886-2-6616-0028
sales@ieiworld.com
www.ieiworld.com

America

IEI Technology USA Corp.

138 University Parkway, Pomona,
CA 91768, USA
Tel:+1-909-595-2819
Fax:+1-909-595-2816
sales@usa.ieiworld.com
usa.ieiworld.com

China

威強電工業電腦 IEI Integration (Shanghai) Corp.

上海市闵行区莘庄工业区申富路 515 号
No. 515, Shen Fu Rd., Xin Zhuang Industrial Develop Zone,
Shanghai, 201108, China
Tel:+86-21-3116-7799
Fax:+86-21-3462-7797
sales@ieiworld.com.cn
www.ieiworld.com.cn