

Product Change Notification

Issue Date: February 14, 2017

Product Name: TPM-IN01/IN02

Status: Running change

Reason for Change

Improve layout for the possibility of horizontal type module.

Description of Change

1. Update TPM 1.2 IC form SLB9635 TT1.2 to SLB9660 TT1.2
2. Keep TPM 2.0 IC as SLB9665 TT2.0
3. Improve layout for the possibility of horizontal type module customization (Order by request, please contact sales for further information)



Affected Model

Affected Model	New Version
TPM-IN01-R11	TPM-IN01-R20
TPM-IN02-R11	TPM-IN02-R20

Affected by This Change

Specifications
 Dimensions
 Appearance
 Package
 Label
 BIOS
 Driver

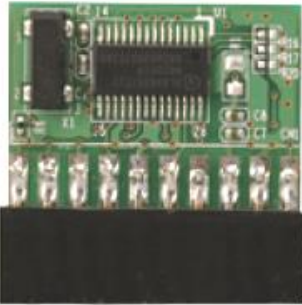
For more details please refer to the latest datasheet or visit <http://www.ieiworld.com>

TPM-IN01/IN02-R11

TPM-IN01-R11 IC: SLB9635 TT1.2
 TPM-IN02-R11 IC: SLB9665 TT2.0

Front side/

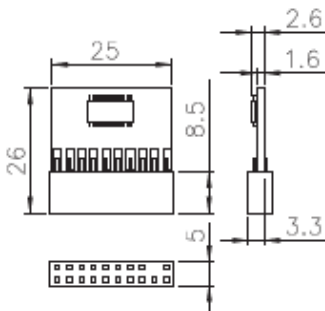
TPM-IN01-R11



TPM-IN02-R11



Back side/

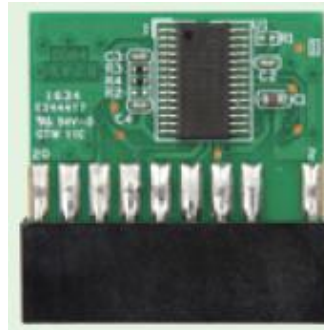


TPM-IN01/IN02-R20

TPM-IN01-R20 IC: SLB9660 TT1.2
 TPM-IN02-R20 IC: SLB9665 TT2.0

Front side/

TPM-IN01-R20



TPM-IN02-R20



Back side/

