

# SPECIFICATION

**MODEL : PMP120-13-2-B20-1.2M**

## 1. INPUT SPECIFICATIONS :

- 1.1 Input voltage : 90 to 264VAC
- 1.2 Input frequency : 47 to 63 Hz
- 1.3 Input current : 1.60A (rms) for 115VAC ; 0.8A(rms) for 230VAC.
- 1.4 Earth leakage current : 180uA max. @ 264VAC, 63Hz
- 1.5 Touch current : 100uA max. @ 264VAC, 63Hz

## 2. OUTPUT SPECIFICATIONS :

### 2.1 OUTPUT VOLTAGE/CURRENT RATING CHART:

Output			
Vnom.	Imin.	Imax.	Tol.
19V	0A	6.32A	±5%

- 2.2 Output power : 120W max.
- 2.3 Ripple & noise : 1% peak to peak max.
- 2.4 Overvoltage protection : Provide and set at 112% to 140% of its nominal output voltage
- 2.5 Overcurrent protection : Protected to short circuit conditions.
- 2.6 Temperature coefficient : ±0.04%/°C max.
- 2.7 Transient response : Maximum excursion of 4% or better, recovering to 1% of final value within 500us after a 25% step load change

## 3. ENVIRONMENTAL SPECIFICATIONS :

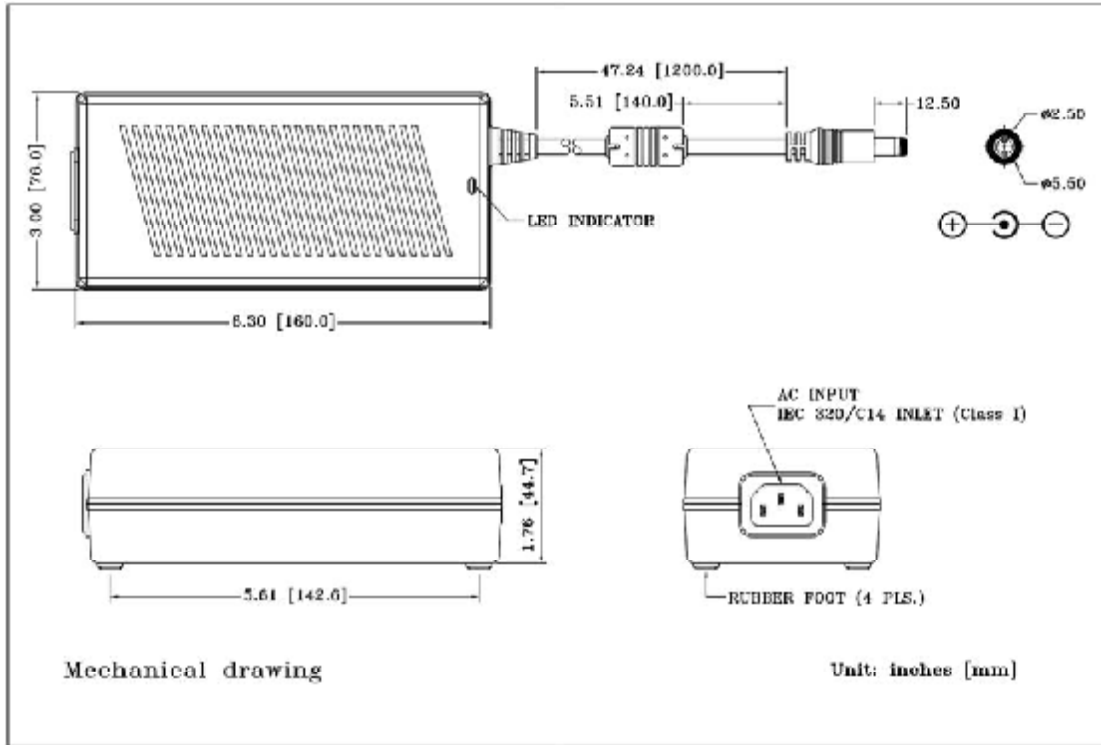
- 3.1 Operating temperature : 0°C to +60°C
- 3.2 Storage temperature : -40°C to +85°C
- 3.3 Relative humidity : 5% to 95% non-condensing
- 3.4 Derating : Derate from 100% at +40°C linearly to 50% at +60°C

#### 4. GENERAL SPECIFICATIONS:

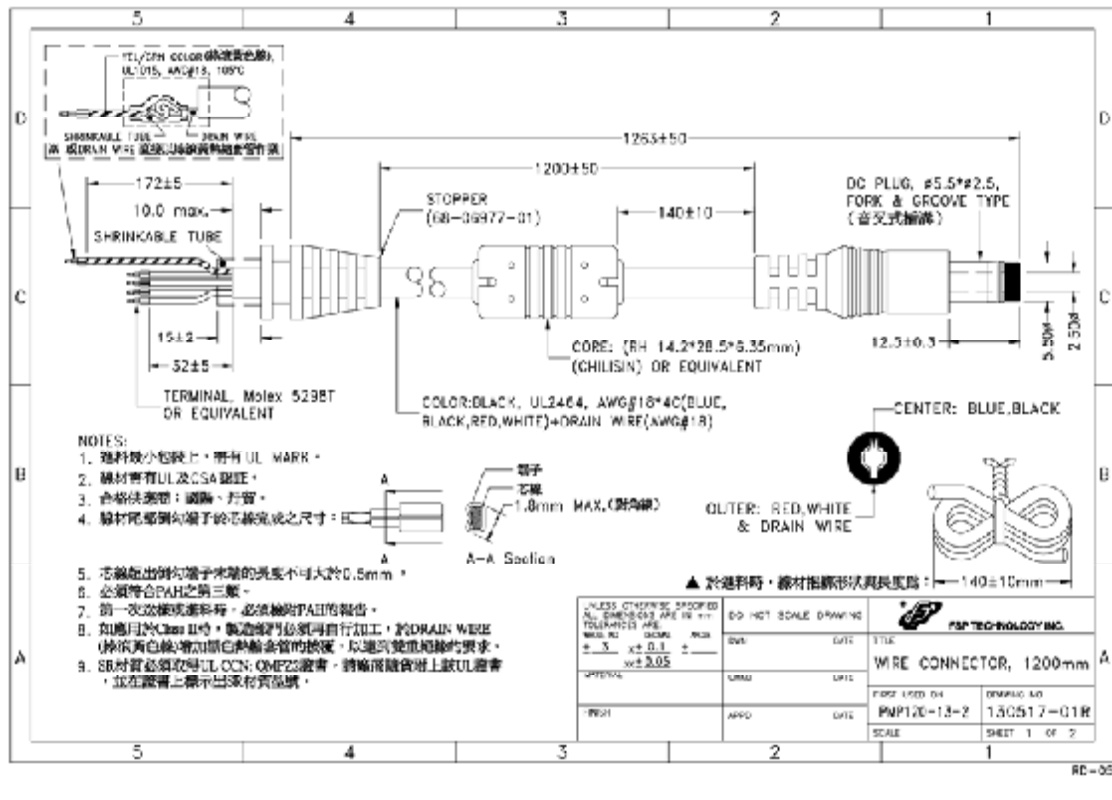
- 4.1 Switching frequency: 50 to 110 KHz
- 4.2 Power factor: 0.98 typical at 115VAC
- 4.3 Efficiency: 85% min. at full load
- 4.4 Hold-up time: 15 ms minimum at 110VAC
- 4.5 Line regulation:  $\pm 0.5\%$  maximum at full load
- 4.6 Inrush current: 60 A @ 115VAC or 120 A @ 230VAC at 25°C cold start
- 4.7 Withstand voltage: 5600VDC from input to output  
2100VDC from input to ground  
700VDC from output to ground  
(To verify AC strength, get correct test method to avoid power supply damage.)
- 4.8 MTBF: 150,000 hours minimum at full load at 25°C ambient, calculated per MIL-HDBK-217F
- 4.9 Safety agency approvals : 1. UL ES 60601-1, CSA C22.2 NO. 60601-1  
File NO. E178020  
2. TUV EN60601-1  
3. UL 60950-1, CSA C22.2 NO.60950-1 File NO. E137410  
4. TUV EN60950-1
- 4.10 Electromagnetic Compatibility : EMC Performance (IEC60601-1-2)  
EN55011/EN55022: Class B conducted, Class B radiated  
FCC: Class B conducted, Class B radiated  
VCCI: Class B conducted, Class B radiated  
EN61000-3-2: Harmonic distortion, Class A and D  
EN61000-3-3: Line flicker  
EN61000-4-2: ESD,  $\pm 8\text{KV}$  air and  $\pm 6\text{KV}$  contact  
EN61000-4-3: Radiated immunity, 3V/m  
EN61000-4-4: Fast transient/burst,  $\pm 2\text{KV}$   
EN61000-4-5: Surge,  $\pm 1\text{KV}$  diff.,  $\pm 2\text{KV}$  com.  
EN61000-4-6: Conducted immunity, 3Vrms  
EN61000-4-8: Magnetic field immunity, 3A/m  
EN61000-4-11: Voltage dips, 30%reduction for 500ms, 60% reduction for 100ms and >95%reduction for 10ms

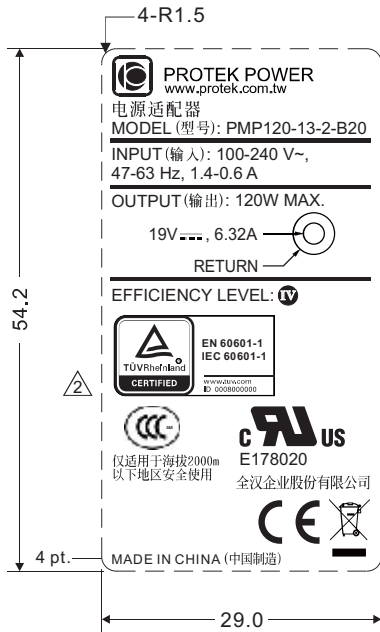
# OUTLINE

## MECHANICAL SPECIFICATIONS :



## OUTPUT CABLE DRAWING :





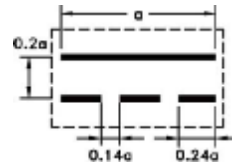
工作要點：

1. 材質：75 番壓花底白色霧面特多龍商標紙，井字背膠，厚度為0.15+/-0.03mm。目前交貨的印刷廠有永利：YL-01和谷陽(FAN JA)：FJ-03-1。
2. 黏貼於PC材質，表面800#拋光(光面)。
3. 不加邊線。
4. 印刷廠須為UL & CSA認可之廠商。
5. 於最小包裝，須標示印刷廠名稱、型號及該批數量。
6. 無特殊要求的印刷顏色為黑色。
7. 內容之印刷字型為Arial，字型大小如左圖所標示，其他無另外標註的字型大小則為 5 pt.
8. 未標註之公差值為±0.2
9. 印刷字型為 Times New Roman.

合格委外印刷廠：

Manufacturer/trademark	Type/Model
Chin Lai Enterprise Co Ltd	CL-02, CL-03, CL-04
GI YE PRINTING CO LTD	GY9801, GY9802, GY9803, Gy9805, GY9806, GY9807
Shenzhen Shi Yonglixing Printing Co., Ltd.	YL-01, YL-02
FAN JA PAPER PRINTING CO., LTD.	FJ-03-1, FJ-03-2, FJ-03-3, FJ01, FJ04, FJ05, FJ06, FJ07, FJ08, FJ09
FAN JA PAPER PRINTING CO., LTD.	FJ-P

直流符號比例圖：



P/N.: 6LL1587302GP

MODEL NO.: PMP120-13-2-B20		TITLE: Unit label		SHEET: 1 OF 2	REV:02
R&D	PE	DRAWN	DATE		
P.C. Hsu	Tom Chan	Lisin Huang	Jun.24,2016		
INTERIOR COUNTERSIGN:					

RD-36