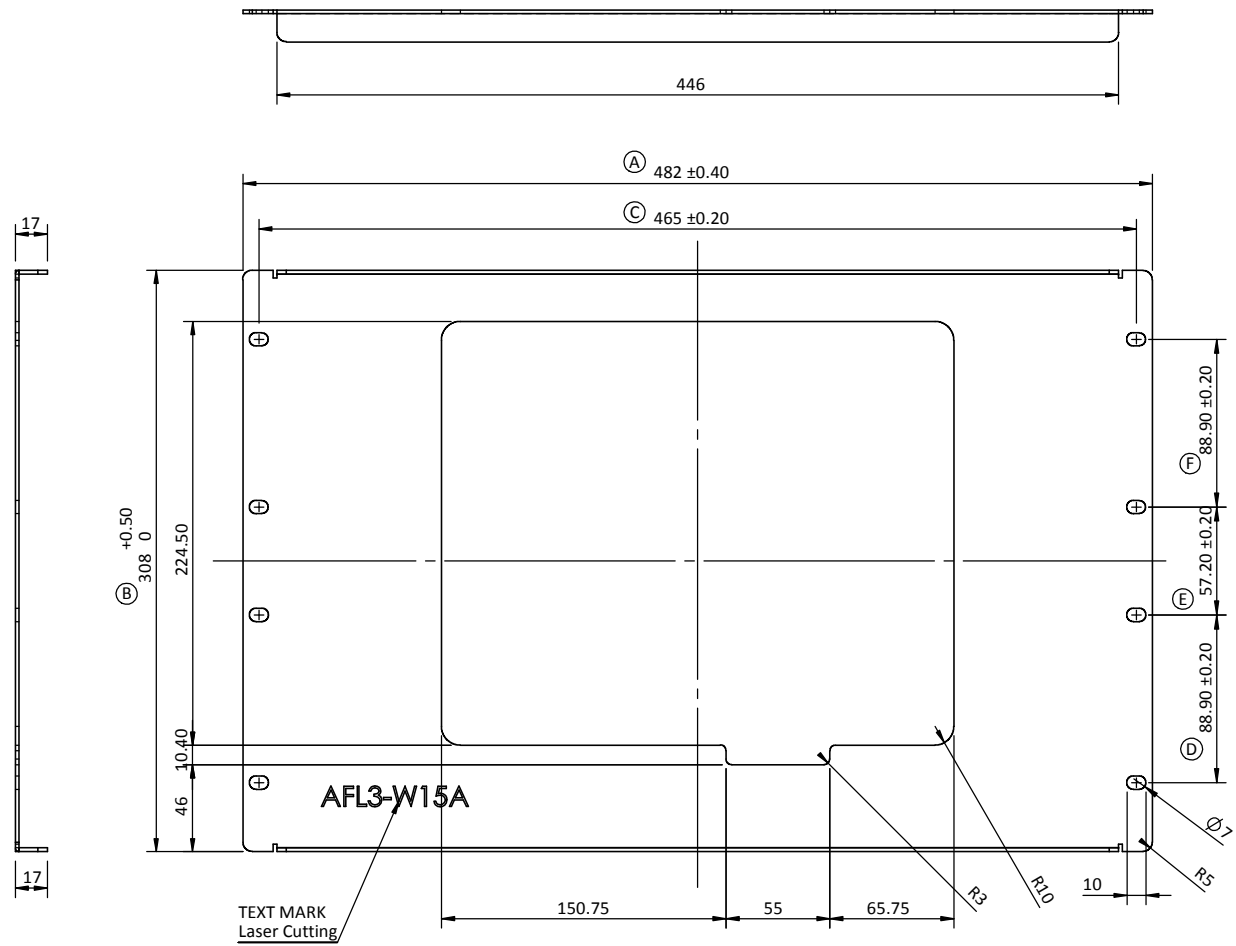
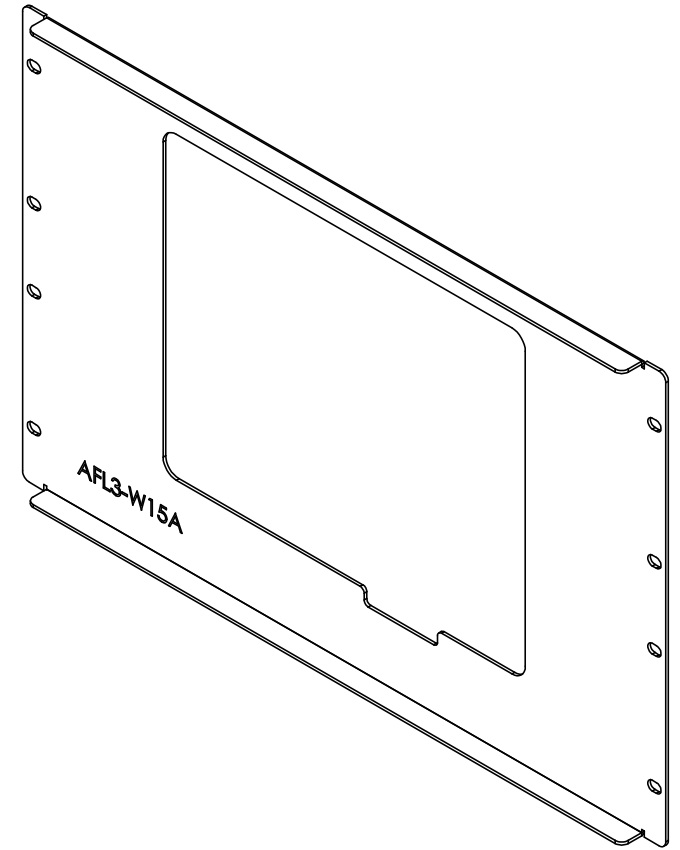


- NOTE:
1. Material: SECC
 2. Thickness: 2.0mm
 3. Appearance: Painting PMS Black C (Small point texture) all of sheetmetal
 4. No sharp edges/ chips
 5. Non-folded area remarked: Internal Radius 0.5
 6. Edges/ chips location is as remarked on the drawing.
 7. (A) - (F) are the major dimensions.



5			
4			
3			
2			
1			
REV	DESCRIPTION	SIGN	DATE

Note:
The componet should be comply with the prohibit of hazardous substances in the RoHs Directive.

RANGE (mm)	Common Tolerance	APPROV	Daisy Hsu	2015.4.10	
0~25	± 0.10	CHECK	Shawn Kao	2015.4.10	
25~80	± 0.15	DESIGN	Terry wu	2015.4.10	
80~200	± 0.20	DRAWN	Terry wu	2015.4.10	
200~400	± 0.30				
400~	± 0.40				
ANGLE	± 1°	UNIT:mm		SCALE:1:1	TITLE RACK MOUNT BRACKET
		SIZE: A0			MODEL AFL3-W15A-BT
		FILE NO: 41020-0420C2-00-RS			PART NO: 41020-0420C2-00-RS