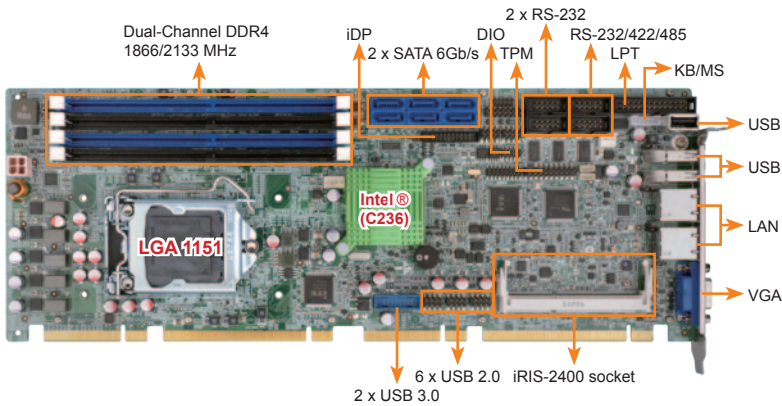


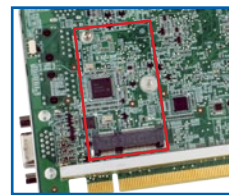
# SPCIE-C236-i2

Full-size PICMG 1.3 CPU Card supports LGA1151 Intel® E3-1200/Core™ i3/ Pentium®/Celeron® CPU per Intel® C236, DDR4, VGA/IDP, Dual Intel® PCIe GbE, USB 3.0, SATA 6Gb/s, HD Audio, iAMT, iRIS-2400 and RoHS

**New**



## PCIe Mini & mSATA colay



Mini PCIe interface provide SATA, PCIe x1 and USB signal such as mSATA, PCIe device, and wireless LAN card for full-size or half-size devices.



## Specifications

- ◆ CPU
  - Intel® 6th generation E3 & Core™ i3, Pentium® or Celeron® processor supported
- ◆ PCH
  - Intel® C236
- ◆ Memory
  - Four 288-pin 2133/1867MHz dual-channel DDR4 SDRAM unbuffered DIMMs support ECC & non-ECC up to 64GB (C236)
- ◆ BIOS
  - UEFI BIOS
- ◆ Graphic Engine
  - Intel® HD Graphics Gen 9 supports DX11/12, OpenCL 2.x and OpenGL 4.3/4.4 Decode/Encode for HEVC, VP8, VP9, VDENC
- ◆ Ethernet
  - LAN1: Intel® I219LM Clarkville-V with Intel® iAMT 11.0 supported
  - LAN2: Intel® I210 PCIe controller
- ◆ Super I/O
  - Fintek F81866
- ◆ EC
  - IWDD
- ◆ External I/O
  - 2 x USB 3.0
  - 2 x RJ-45
  - 1 x VGA
- ◆ Internal I/O
  - 1 x 6-pin wafer for KB/MS
  - 1 x iDP
  - 1 x LPT
  - 6 x SATA3.0 (SATA0, SATA1, SATA2, SATA3) (C236 supports RAID 0, 1, 5, 10)
  - 7 x USB 2.0 (1 type A 180°, 6 by pin header)
- ◆ Front Panel
  - 1 x Front Panel (Power LED, HDD LED, Speaker, Power Button, Reset Button)
- ◆ LAN LED
  - 2 x 2 Pin for LAN1 LED, LAN2 LED (Active)
- ◆ Audio
  - Support 7.1 channel HD audio by IEI AC-KIT-892HD kit
- ◆ TPM
  - 2 x 10-pin pin header
- ◆ SMBus
  - 1 x 4-pin wafer
- ◆ i°C
  - 1 x 4-pin wafer
- ◆ Infrared Interface
  - 1 x 5-pin pin header
- ◆ Expansion
  - 16 lanes from CPU & 4 lanes from C236 PCIe signal via golden finger
  - Four PCI signal via golden finger
  - 1 x PCIe mini (support PCIe or mSATA colay with SATA6)
- ◆ Watchdog Timer
  - Software programmable support 1~255 sec. system reset
- ◆ Digital I/O
  - 8-bit digital I/O (4-bit input, 4-bit output)
- ◆ Fan Connector
  - 1 x 4-pin smart fan connector (CPU fan)
  - 1 x 4-pin smart fan connector (system CPU fan)
- ◆ Power Supply
  - 5V/12V, AT/ATX support
- ◆ Power Consumption
  - TBD
- ◆ Operating Temperature
  - 20°C ~ 60°C
- ◆ Operating Humidity
  - 10% ~ 95%, non-condensing
- ◆ Dimension
  - 338 mm x 126 mm
- ◆ Weight
  - GW: 1000g / NW: 420g



## Features

- PICMG 1.3 full-size CPU Card
- LGA1151 Intel® 6th generation E3 & Core™ i3, Pentium® or Celeron® processor
- Four 288-pin DDR4 UDIMM 1867/2133MHz Dual-Channel supports up to 64GB
- Supports dual independent display by VGA & internal DP pin header
- Supports mini-PCIe device & mSATA via mini-PCIe socket
- Intel® PCIe GbE with Intel® AMT 11.0 supported
- Supports RAID 0, 1, 5, 10 function via SATA 6Gb/s
- TPM V1.2 hardware security function supported by TPM module
- IEI jumper-less function

## Packing List

- 1 x SPCIE-C236-i2 single board computer
- 1 x SATA cable (P/N: 32000-0628000-RS)
- 1 x Mini jumper pack
- 1 x QIG (Quick Installation Guide)
- 1 x Utility CD

## Ordering Information

Part No.	Description
SPCIE-C236-i2-R10	Full-size PICMG 1.3 CPU Card supports LGA1151 Intel® E3-1200/Core™ i3/Pentium®/Celeron® CPU per Intel® C236, DDR4, VGA/IDP, Dual Intel® PCIe GbE, USB 3.0, SATA 6Gb/s, PCIe mini, mSATA, HD Audio, iAMT, iRIS-2400 and RoHS
19800-000075-RS	KB/MS cable with Bracket
32102-000100-200-RS	SATA Power Cable
32200-015100-RS	LPT Cable
32200-074800-RS	RS-422/485 cable, 200mm
AC-KIT-892HD-R10	7.1 channel HD Audio kit with Realtek ALC892 support dual audio streams
CF-1150SA-10	Special cooler kit for LGA1150, High-performance compatible, 95W
CF-1150SB-10	Special cooler kit for LGA1150, High-performance compatible, 65W
CF-1150SC-20	Special cooler kit for LGA1150, 1U chassis compatible, 65W
CF-1150SE-10	Special cooler kit for LGA1150, 1U chassis compatible, 95W
CF-1150SF-10	Special cooler kit for LGA1150, 1U chassis compatible, 54W
DP-DP-R10	DisplayPort to DisplayPort converter board (For iEi IDP connector)
DP-DVI-R10	DisplayPort to DVI-D converter board (For iEi IDP connector)
DP-HDMI-R10	DisplayPort to HDMI converter board (For iEi IDP connector)
DP-LVDS-R10	DisplayPort to LVDS converter board (For iEi IDP connector)
DP-VGA-R10	DisplayPort to VGA converter board (For iEi IDP connector)
SAIDE-KIT01-R10	SATA to IDE/CF Converter board

1 Industrial Computing Solutions

2 Video Capture Solutions

3 Industrial Computer Chassis

4 Open Frame Monitor

5 Power Supply/Peripherals

6 All-in-One System