



IEI Technology Corp.



MODEL:
AFL LX Series

**Fanless All-in-one Panel PC with AMD LX 800 CPU,
TFT LCD, Wireless LAN, Touch Screen,
RS-232/422/485 and IP 64 Protection**

User Manual

Rev. 2.10 – 22 February, 2012



Revision

Date	Version	Changes
22 February, 2012	2.10	Updated for R21 version: optional Bluetooth support.
14 February, 2012	2.01	Added Section 3.10: Power-up the System
28 October, 2010	2.00	Updated for R20 version
30 September, 2009	1.21	Added screw torque warning
13 April, 2009	1.20	Added AFL-xxA-LX-R12 and AFL-xxA-LX24V-R11 models information
October, 2007	1.11	Added new model (AFL-10A-LX) information
August, 2007	1.10	<ul style="list-style-type: none">- Added Bluetooth module specifications- Added AT/ATX mode selection description- Modified jumper settings information- Added Watchdog Timer appendix
January, 2007	1.00	Initial release

Copyright

COPYRIGHT NOTICE

The information in this document is subject to change without prior notice in order to improve reliability, design and function and does not represent a commitment on the part of the manufacturer.

In no event will the manufacturer be liable for direct, indirect, special, incidental, or consequential damages arising out of the use or inability to use the product or documentation, even if advised of the possibility of such damages.

This document contains proprietary information protected by copyright. All rights are reserved. No part of this manual may be reproduced by any mechanical, electronic, or other means in any form without prior written permission of the manufacturer.

TRADEMARKS

All registered trademarks and product names mentioned herein are used for identification purposes only and may be trademarks and/or registered trademarks of their respective owners.

Table of Contents

1 INTRODUCTION.....	11
1.1 AFOLUX LX SERIES FLAT PANEL PC OVERVIEW	12
1.1.1 Model Variations	12
1.1.2 Applications	13
1.1.3 Standard Features	14
1.2 EXTERNAL OVERVIEW.....	14
1.2.1 General Description.....	14
1.2.2 Front Panel	14
1.2.3 Rear Panel	15
1.2.4 Top Panel and Side Panels.....	15
1.2.5 Bottom Panel.....	16
1.3 INTERNAL OVERVIEW.....	17
1.4 SPECIFICATIONS	17
1.4.1 Preinstalled Hardware Components.....	17
1.4.2 System Specifications.....	18
1.4.3 Motherboard Specifications.....	19
1.4.4 Flat Panel Screen Specifications	20
1.4.5 Touch Screen Specifications.....	21
1.5 DIMENSIONS.....	22
1.5.1 AFL-07A-LX Dimensions.....	22
1.5.2 AFL-08AH-LX Dimensions.....	23
1.5.3 AFL-10A-LX Dimensions.....	24
1.5.4 AFL-12A-LX Dimensions.....	25
2 MOTHERBOARD.....	26
2.1 INTRODUCTION.....	27
2.2 CPU SUPPORT	27
2.2.1 AMD [®] Geode™ LX 800 500MHz Specifications.....	27
2.2.2 AMD [®] Geode™ LX 800 500MHz Power Management.....	28
2.3 SYSTEM CHIPSET.....	28

AFOLUX LX Series Flat Panel PC

2.4 GRAPHICS SUPPORT.....	29
2.5 ETHERNET CONTROLLER SPECIFICATIONS.....	31
2.5.1 Overview	31
2.5.2 Features	31
2.6 PERIPHERAL DEVICE INTERFACES, CONNECTORS, AND SLOTS	32
2.6.1 OEM Options	32
2.6.2 Internal Slots.....	32
2.6.3 Internal Peripheral Device Connectors.....	32
2.6.4 External Peripheral Device Connectors.....	33
3 INSTALLATION	34
3.1 INSTALLATION PRECAUTIONS	35
3.2 PREINSTALLED COMPONENTS.....	35
3.3 INSTALLATION AND CONFIGURATION STEPS	36
3.4 UNPACKING.....	36
3.4.1 Packing List	37
3.5 CF CARD INSTALLATION	38
3.6 HDD INSTALLATION (AF-12A-LX ONLY)	40
3.7 AT/ATX MODE SELECTION.....	42
3.7.1 AT Power Mode.....	42
3.7.2 ATX Power Mode	43
3.8 MOUNTING THE SYSTEM	43
3.8.1 Wall Mounting.....	43
3.8.2 Panel Mounting.....	46
3.8.3 Arm Mounting	49
3.8.4 Cabinet and Rack Installation	51
3.9 BOTTOM PANEL CONNECTORS	53
3.9.1 LAN Connection.....	53
3.9.2 Serial Device Connection	54
3.9.3 USB Device Connection.....	55
3.10 POWER-UP THE SYSTEM	56
4 SYSTEM MAINTENANCE	57
4.1 SYSTEM MAINTENANCE INTRODUCTION	58
4.2 MOTHERBOARD REPLACEMENT	58

4.3 INTERNAL ALUMINUM COVER REMOVAL	58
4.3.1 AFL-07A-LX Internal Aluminum Cover Removal.....	59
4.3.2 AFL-08AH-LX Internal Aluminum Cover Removal.....	60
4.3.3 AFL-10A-LX Internal Aluminum Cover Removal.....	62
4.3.4 AFL-12A-LX Internal Aluminum Cover Removal.....	63
4.4 MEMORY MODULE REPLACEMENT.....	63
4.5 JUMPER SETTINGS	65
4.5.1 JP3: COM3 Pin-9 Signal Select Jumper Settings.....	66
4.5.2 JP4: COM1 and COM2 Pin-9 Signal Select Jumper Settings.....	67
4.5.3 JP5: COM2 Mode Select Jumper Settings.....	67
4.5.4 JP6: COM2 Mode Select Jumper Settings.....	68
4.5.4.1 COM2 RS-422 and RS-485 Pinouts	68
5 AWARD BIOS SETUP.....	69
5.1 INTRODUCTION.....	70
5.1.1 Starting Setup.....	70
5.1.2 Using Setup	70
5.1.3 Getting Help.....	71
5.1.4 Main BIOS Menu	71
5.2 STANDARD CMOS FEATURES	73
5.2.1 IDE Primary Master/Slave	76
5.3 ADVANCED BIOS FEATURES	78
5.4 ADVANCED CHIPSET FEATURES	83
5.5 INTEGRATED PERIPHERALS.....	85
5.6 POWER MANAGEMENT SETUP	89
5.7 PNP/PCI CONFIGURATIONS	95
5.8 PC HEALTH STATUS	98
A SAFETY PRECAUTIONS	100
A.1 SAFETY PRECAUTIONS	101
A.1.1 General Safety Precautions.....	101
A.1.2 Anti-static Precautions	102
A.1.3 Product Disposal.....	103
A.2 MAINTENANCE AND CLEANING PRECAUTIONS.....	103
A.2.1 Maintenance and Cleaning.....	103

AFOLUX LX Series Flat Panel PC

<i>A.2.2 Cleaning Tools</i>	104
B BIOS CONFIGURATION OPTIONS	105
B.1 BIOS CONFIGURATION OPTIONS	106
C SOFTWARE DRIVERS	109
C.1 REMOTE MANAGEMENT TOOL.....	110
C.2 TOUCH PANEL DRIVER.....	110
<i>C.2.1 Introduction</i>	110
<i>C.2.2 Driver Installation</i>	111
<i>C.2.3 Touch Panel Driver Configuration</i>	114
D WATCHDOG TIMER	115
E HAZARDOUS MATERIALS DISCLOSURE	118
E.1 HAZARDOUS MATERIAL DISCLOSURE TABLE FOR IPB PRODUCTS CERTIFIED AS ROHS COMPLIANT UNDER 2002/95/EC WITHOUT MERCURY	119

List of Figures

Figure 1-1: Front View	15
Figure 1-2: AFL-07A-LX/AFL-08AH-LX Rear View	15
Figure 1-3: AFL-08AH-LX Top View	16
Figure 1-4: AFL-08AH-LX Side View	16
Figure 1-5: AFOLUX LX Series Bottom View	17
Figure 1-6: AFL-07A-LX Dimensions (units in mm)	22
Figure 1-7: AFL-08AH-LX Dimensions (units in mm).....	23
Figure 1-8: AFL-10A-LX Dimensions (units in mm)	24
Figure 1-9: AFL-12A-LX Dimensions (units in mm)	25
Figure 2-1: AFLMB-LX800 Connector Overview.....	33
Figure 3-1: Back Cover Retention Screws	38
Figure 3-2: AFL-08AH-LX Plastic Back Cover Removal	39
Figure 3-3: CF Card Location	39
Figure 3-4: AFL-08AH-LX Plastic Back Cover Replacement.....	39
Figure 3-5: AFL-12A-LX Aluminum Back Cover Retention Screws.....	40
Figure 3-6: Four Hexagonal Pillars on the Bottom Panel.....	40
Figure 3-7: AFL-12A-LX HDD Bracket Retention Screws	41
Figure 3-8: AF-12A-LX HDD Retention Screws.....	41
Figure 3-9: AT/ATX Switch Location.....	42
Figure 3-10: Wall-mounting Bracket	44
Figure 3-11: Chassis Support Screws.....	45
Figure 3-12: Secure the Panel PC	46
Figure 3-13: AFL-07A-LX Panel Opening	47
Figure 3-14: AFL-08AH-LX Panel Opening.....	47
Figure 3-15: AFL-10A-LX Panel Opening	47
Figure 3-16: AFL-12A-LX Panel Opening	48
Figure 3-17: Tighten the Panel Mounting Clamp Screws (AFL-10A/12A-LX)	49
Figure 3-18: AFL-07A-LX/AFL-08AH-LX Arm Mounting Retention Screw Holes.....	50
Figure 3-19: AFL-10A-LX/AFL-12A-LX Arm Mounting Retention Screw Holes	50
Figure 3-20: The Rack/Cabinet Bracket.....	51
Figure 3-21: Secure the Rack/Cabinet Bracket (AFL-10A-LX/AFL-12A-LX).....	52

AFOLUX LX Series Flat Panel PC

Figure 3-22: Install into a Rack/Cabinet	53
Figure 3-23: LAN Connection	53
Figure 3-24: Serial Device Connector.....	54
Figure 3-25: USB Device Connection	55
Figure 3-26: Power Connector and Power Button	56
Figure 4-1: AFL-07A-LX Aluminum Back Cover Retention Screws.....	59
Figure 4-2: Four Hexagonal Pillars on the Bottom Panel (AFL-07A-LX).....	59
Figure 4-3: AFL-08AH-LX Aluminum Back Cover Retention Screws	60
Figure 4-4: Four Hexagonal Pillars on the Bottom Panel (AFL-08AH-LX)	60
Figure 4-5: Wireless Module Cables	60
Figure 4-6: The Internal Aluminum Cover Removal.....	61
Figure 4-7: Power Switch Cable	61
Figure 4-8: AFL-10A-LX Aluminum Back Cover Retention Screws.....	62
Figure 4-9: Four Hexagonal Pillars on the Bottom Panel (AFL-10A-LX).....	62
Figure 4-10: AFL-12A-LX Aluminum Back Cover Retention Screws.....	63
Figure 4-11: Four Hexagonal Pillars on the Bottom Panel (AFL-12A-LX).....	63
Figure 4-12: SO-DIMM Socket Location	64
Figure 4-13: DDR SO-DIMM Module Installation.....	65
Figure 4-14: Jumper Locations	66

List of Tables

Table 1-1: Model Variations	13
Table 1-2: AFOLUX LX Series System Specifications	19
Table 1-3: Motherboard Specifications	20
Table 1-4: TFT LCD Monitor Specifications	20
Table 1-5: Touch Panel Specifications	21
Table 2-1: Geode LX Graphics Features	30
Table 4-1: COM3 Pin-9 Signal Select Jumper Settings.....	66
Table 4-2: COM1 and COM2 Pin-9 Signal Select Jumper Settings.....	67
Table 4-3: COM2 Mode Select Jumper Settings	67
Table 4-4: COM2 Mode Select Jumper Settings	68
Table 4-5: RS-422 Pinouts	68
Table 4-6: RS-485 Pinouts	68
Table 5-1: BIOS Navigation Keys	71

Chapter

1

Introduction

1.1 AFOLUX LX Series Flat Panel PC Overview

The AFOLUX LX series flat panel PC is a flexible, multi-functional and fanless flat panel PC that can be applied in diverse operational environments and implemented in multi-faceted applications. The AFOLUX LX series comes fully kitted with a high-performance motherboard and a host of other peripheral interface connectors. The integrated wireless LAN module ensures an uninterrupted wireless connection. The flexible AT/ATX power mode selection allows the AFOLUX series to meet multiple application requirements. The AFOLUX LX series is designed for ease of use and easy installation.

1.1.1 Model Variations

The model variations of AFOLUX LX series are listed in **Table 1-1**. The AFOLUX LX series all comes with a touch screen and an 802.11b/g wireless module.

AFL-07A	Brightness	LCD	Memory	Power Input	HSUPA
-LX/R/256-R21	400cd/m ²	7"	256MB DDR	12 V DC	No
-LX/R/512-R21	400cd/m ²	7"	512MB DDR	12 V DC	No
-LX24V/R/256-R21	400cd/m ²	7"	256MB DDR	18~30 V DC	No
-LX24V/R/512-R21	400cd/m ²	7"	512MB DDR	18~30 V DC	No
AFL-08AH	Brightness	LCD	Memory	Power Input	HSUPA
-LX/R/256-R21	450cd/m ²	8.4"	256MB DDR	12 V DC	No
-LX/R/512-R21	450cd/m ²	8.4"	512MB DDR	12 V DC	No
-LX24V/R/256-R21	450cd/m ²	8.4"	256MB DDR	18~30 V DC	No
-LX24V/R/512-R21	450cd/m ²	8.4"	512MB DDR	18~30 V DC	No
AFL-10A	Brightness	LCD	Memory	Power Input	HSUPA
-LX/R/256-R21	400cd/m ²	10.4"	256MB DDR	12 V DC	No
-LX/RH/256-R21	400cd/m ²	10.4"	256MB DDR	12 V DC	Yes
-LX/R/512-R21	400cd/m ²	10.4"	512MB DDR	12 V DC	No
-LX/RH/512-R21	400cd/m ²	10.4"	512MB DDR	12 V DC	Yes
-LX24V/R/256-R21	400cd/m ²	10.4"	256MB DDR	18~30 V DC	No
-LX24V/RH/256-R21	400cd/m ²	10.4"	256MB DDR	18~30 V DC	Yes
-LX24V/R/512-R21	400cd/m ²	10.4"	512MB DDR	18~30 V DC	No
-LX24V/RH/512-R21	400cd/m ²	10.4"	512MB DDR	18~30 V DC	Yes

AFOLUX LX Series Flat Panel PC

AFL-12A	Brightness	LCD	Memory	Power Input	HSUPA
-LX/R/256-R21	500cd/m ²	12.1"	256MB DDR	12 V DC	No
-LX/RH/256-R21	500cd/m ²	12.1"	256MB DDR	12 V DC	Yes
-LX/R/512-R21	500cd/m ²	12.1"	512MB DDR	12 V DC	No
-LX/RH/512-R21	500cd/m ²	12.1"	512MB DDR	12 V DC	Yes
-LX24V/R/256-R21	500cd/m ²	12.1"	256MB DDR	18~30 V DC	No
-LX24V/RH/256-R21	500cd/m ²	12.1"	256MB DDR	18~30 V DC	Yes
-LX24V/R/512-R21	500cd/m ²	12.1"	512MB DDR	18~30 V DC	No
-LX24V/RH/512-R21	500cd/m ²	12.1"	512MB DDR	18~30 V DC	Yes

Table 1-1: Model Variations

1.1.2 Applications

The AFOLUX LX series all-in-one panel PC is designed for multiple applications. Its durability and strength makes it an ideal choice for public access computers. Some possible applications include:

- Vehicle Interior device
 - Truck PC
 - Logistic car PC
- General computing
 - PC based testing center
 - Distance learning
- Industrial applications
 - Plant environment monitoring system
 - Factory automation platform
 - Manufacturing shop flow
 - Equipment and device control
- Home and building automation
 - Digital surveillance system
 - E-home platform
 - Home IA control terminal
- Self-Service Kiosk
 - Receptionist kiosk in hotel and business premises
 - Self registration terminal in hospital and airport

- Ticket vending machine for transportation use

1.1.3 Standard Features

Some of the standard features of the AFOLUX LX series flat panel PC include:

- Fanless Design
- AMD® Geode LX-800 processor
- Rugged mechanism design with ABS/PC case
- IP 64 dustproof and waterproof front panel
- One 256MB/512MB DDR memory module pre-installed
- AT/ATX power mode supported
- Wireless LAN integrated with PIFA antenna
- Dual 10/100Mbps Ethernet support
- One CompactFlash® Type II socket support
- Simplified installation process
- RoHS compliance

1.2 External Overview

1.2.1 General Description

The AFOLUX LX series is a stylish flat panel PC that comprises of a screen, rear panel, top panel, bottom panel and two side panels (left and right). An ABS/PC plastic front frame surrounds the front screen. The rear panel provides screw holes for a wall-mounting bracket compliant with VESA FDMI standard. The bottom panel provides access to external interface connectors that include LAN, USB 2.0, serial port, reset button, power connector and power switch.

1.2.2 Front Panel

The front side of the AFOLUX LX series is a flat panel TFT LCD screen with LED backlight surrounded by an ABS/PC plastic frame.

AFOLUX LX Series Flat Panel PC

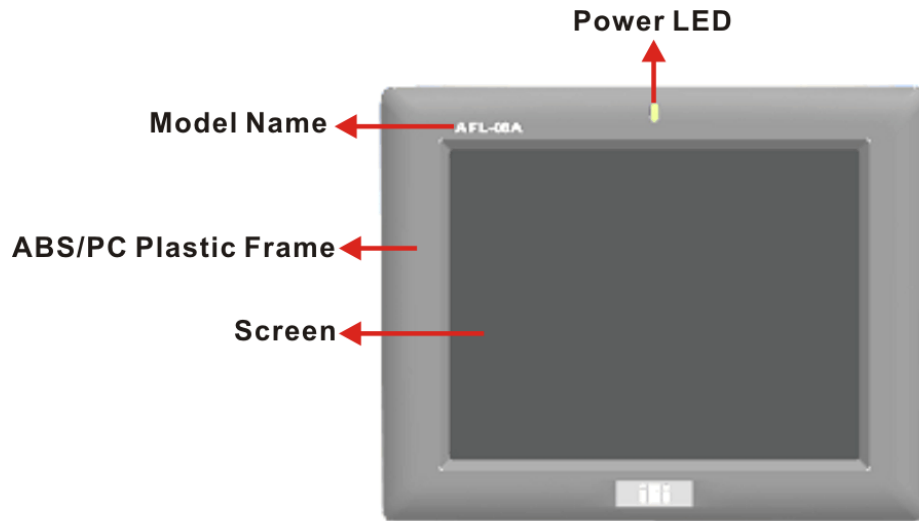


Figure 1-1: Front View

1.2.3 Rear Panel

The rear panel provides access to retention screw holes that support the wall mounting. Refer to **Figure 1-2**.

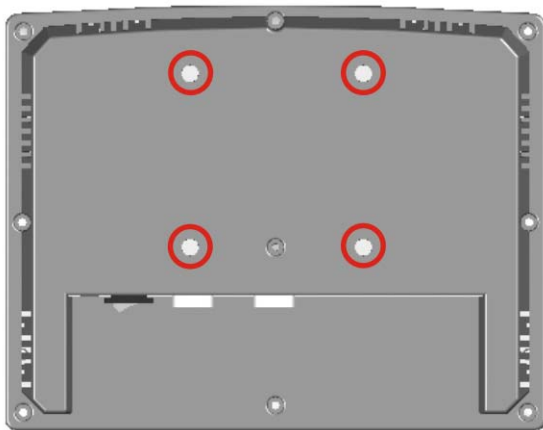


Figure 1-2: AFL-07A-LX/AFL-08AH-LX Rear View

1.2.4 Top Panel and Side Panels

The top panel and side panels of AFOLUX LX series provides access to slots that support panel mount and rack mount (**Figure 1-3** and **Figure 1-4**).

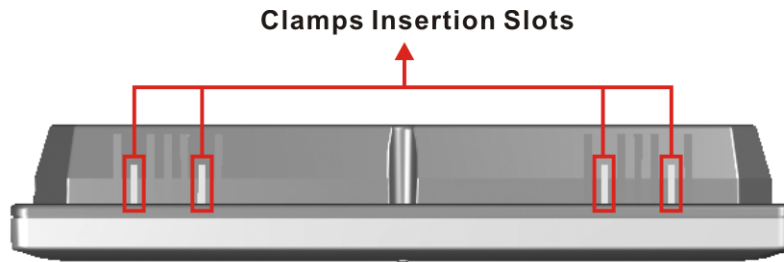


Figure 1-3: AFL-08AH-LX Top View

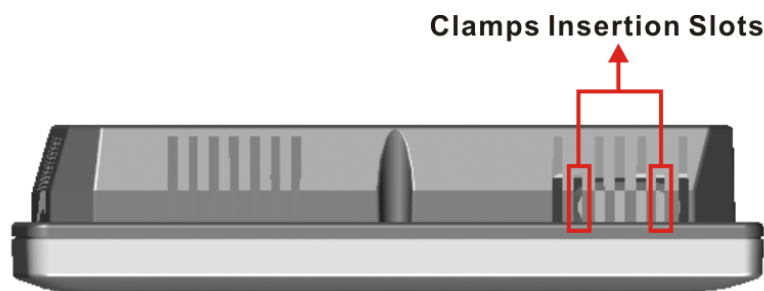


Figure 1-4: AFL-08AH-LX Side View

1.2.5 Bottom Panel

The bottom panel of the AFOLUX LX series has the following I/O interfaces (**Figure 1-5**):

- 1 x Audio jack
- 1 x RS-232 serial port connector
- 1 x RS-232 or RS-422/485 serial port connector (selected by a jumper)
- 1 x Power connector
- 2 x RJ-45 10/100Mbps Ethernet connectors
- 2 x USB 2.0 connectors
- 1 x Power switch
- 1 x Reset button

AFOLUX LX Series Flat Panel PC

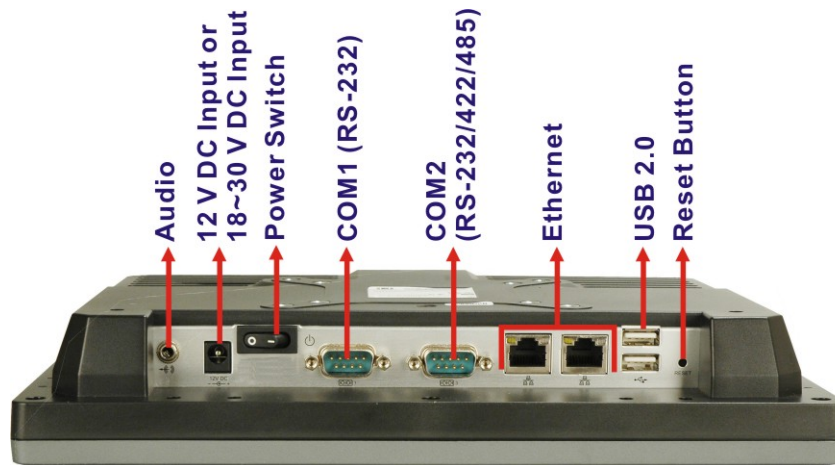


Figure 1-5: AFOLUX LX Series Bottom View

1.3 Internal Overview

The AFOLUX LX series internal components are protected in a plastic back cover. An AT/ATX switch is in the left side of the aluminum chassis inside the plastic cover. Other internal components, the motherboard, wireless LAN module and DDR memory module, are installed in the aluminum chassis on a metal sheet that protects the rear of the TFT LCD screen. Below the metal sheet is a circuit board that is connected to the screen and the motherboard.

1.4 Specifications

1.4.1 Preinstalled Hardware Components

The AFOLUX LX series flat panel PC has the following preinstalled components:

- 1 x Motherboard
- 1 x TFT LCD screen
- 1 x Touch screen
- 1 x Inverter
- 1 x Wireless LAN module
- 1 x DDR memory module
- 1 x AT/ATX switch
- 1 x HSUPA module (optional)

The technical specifications for some of these components and the system are shown in the sections below.

1.4.2 System Specifications

The technical specifications for the AFOLUX LX series systems are listed in **Table 1-2**.

SPECIFICATION	AFL-07A-LX	AFL-08AH-LX	AFL-10A-LX	AFL-12A-LX
Front Panel	ABS/PC plastic front panel			
Chassis	Aluminum chassis			
LCD Panel	7"	8.4"	10.4"	12.1"
Resolution	800 x 480	800 x 600	800 x 600	1024 x 768
Brightness	400cd/m ²	450cd/m ²	400cd/m ²	500cd/m ²
Contrast Ratio	400:1	600:1	700:1	700:1
Viewing Angle (H-V)	140/110	160/140	160/140	160/160
RGB Bit	6-bit	6-bit	6-bit	6-bit
Backlight	LED backlight	LED backlight	LED backlight	LED backlight
Touch Screen	4-wire resistive type	4-wire resistive type	5-wire resistive type	5-wire resistive type
Extension	1 x Mini PCI (for wireless LAN module) 1 x Optional Bluetooth module (USB interface, Bluetooth v2.0)			
Drive Bay	N/A	N/A	N/A	1 x 2.5" HDD bay or
HSUPA Module	N/A	N/A	Optional	optional HSUPA module
SSD	CompactFlash® Type II			
Audio	AMP 1.5W + AMP 1.5W (internal speaker)			
I/O	1 x Audio jack 1 x RS-232 serial port 1 x RS-232 or RS-422/485 serial port 2 x 10/100 Mbps Ethernet port 2 x USB 2.0 port 1 x Power switch 1 x Reset button 1 x AT/ATX power switch (internal)			
Power	AFL-xxA-LX Series: 12 V DC input (36W DC power adapter) AFL-xxA-LX24V Series: 18~30 V DC input			
Power Consumption	20W	20W	25W	29W

AFOLUX LX Series Flat Panel PC

SPECIFICATION	AFL-07A-LX	AFL-08AH-LX	AFL-10A-LX	AFL-12A-LX
Mounting Feature	Panel, Rack, Wall, Arm, Stand			
Operating Temperature	0°C ~ 50°C	0°C ~ 50°C	0°C ~ 50°C	0°C-50°C 0°C-40°C (using HDD)
Relative Humidity	5% ~ 80% RH, non-condensing			
Vibration	5 - 17Hz, 0.1" double amplitude displacement. 17 - 640Hz, 1.5G acceleration, peak to peak.			
Shock	10G Acceleration, peak to peak (11ms)			
Dimension (W x H x D)	226 x 140 x 41	234 x 184 x 42	276 x 227 x 50.7	304 x 246 x 50
Net/Gross Weight	0.6 Kg	0.8 Kg	1.4kg	1.8 Kg
Front Panel Protection	IP 64 compliant			
Safety	Meets UL / CE / CCC			
EMC	Meets CE / FCC class B			

Table 1-2: AFOLUX LX Series System Specifications

1.4.3 Motherboard Specifications

The AFOLUX LX series come with an AFLMB-LX800 motherboard. The technical specifications of the motherboard are listed in **Table 1-3**.

Specification	AFLMB-LX800
CPU	AMD® Geode™ LX 800 500Mhz
Southbridge Chipset	AMD® Geode™ CS5536
Display	CRT integrated in AMD® Geode™ LX800 24-bit TTL integrated in AMD® Geode™ LX800 18-bit LVDS supported by buffer
Memory	Supports one 1GB DDR 333/400 200-pin SO-DIMM SDRAM module
Extension	One mini PCI slot
BIOS	Award BIOS
SSD	CF Type II
Super I/O	N/A for legacy free
Audio	AC'97 Codec Realtek ALC203, AMP 2W
LAN	10/100 Base-T dual RTL8100C
COM	1 x RS-232 serial port

	1 x RS-232 or RS-422/485 serial port
IDE	One 44-pin IDE connects to two IDE devices
Touch Screen Controller	DMC9000
Power Supply	DC 12V In
Dimensions	102mm x 186mm

Table 1-3: Motherboard Specifications

1.4.4 Flat Panel Screen Specifications

The AFOLUX LX series come with a TFT LCD monitor with LED backlight. The specifications for the LCD monitor are shown in **Table 1-4** below.

Specification	AFL-07A-LX	AFL-08AH-LX	AFL-10A-LX	AFL-12A-LX
Size	7"	8.4"	10.4"	12.1"
Resolution	800 x 480 (WVGA)	800 x 600 (SVGA)	800 x 600 (SVGA)	1024 x 768 (XGA)
Pixel Pitch (mm)	0.0635 x 0.1905	0.213 x 0.213	0.264 x 0.264	0.3075 x 0.3075
LCD Color	262K colors	262K colors	262K colors	262K colors
View Angel (H/V)	140/110	160/140	160/140	160/160
Brightness (cd/m²)	400	450	400	500
Contrast Ratio	400:1	600:1	700:1	700:1
RGB Bit	6-bit	6-bit	6-bit	6-bit
Backlight	LED	LED	LED	LED

Table 1-4: TFT LCD Monitor Specifications

AFOLUX LX Series Flat Panel PC

1.4.5 Touch Screen Specifications

The AFOLUX LX series come with an analog resistive type touch panel. **Table 1-5** lists the touch panel specifications.

Specification	AFL-07A-LX	AFL-08AH-LX	AFL-10A-LX	AFL-12A-LX
Model	PANJIT 1070404C	PANJIT 1084403B	PANJIT 1104502A	PANJIT 1121505B
Type	Analog Resistive Type Touch Panel			
Wire Type	4-wire	4-wire	5-wire	5-wire
Viewing Area (mm)	154.90 x 93.94	130.75 x 173.38	219.8 x 166.8	188.0 x 250.0
Active Area (mm)	152.40 x 91.44	127.78 x 170.38	212.1 x 159.3	185.0 x 246.0
Total Transmission	78%			
Maximum Voltage	DC7V			
Connector Type	FPC.			
Operating Temperature	-10°C ~ 60°C	-10°C ~ 40°C		
Operating Humidity	20% ~ 90% RH			
Storage Temperature	-20°C ~ 70°C			
Storage Humidity	20% ~ 90% RH			
Dimensions	165 x 104 x 1.4	145.5 x 188 x 2.1	238.8x 188.7 x 2.6	204 x 268 x 2.1

Table 1-5: Touch Panel Specifications

1.5 Dimensions

1.5.1 AFL-07A-LX Dimensions

The dimensions of the AFL-07A-LX flat panel PC are shown in **Figure 1-6** below.

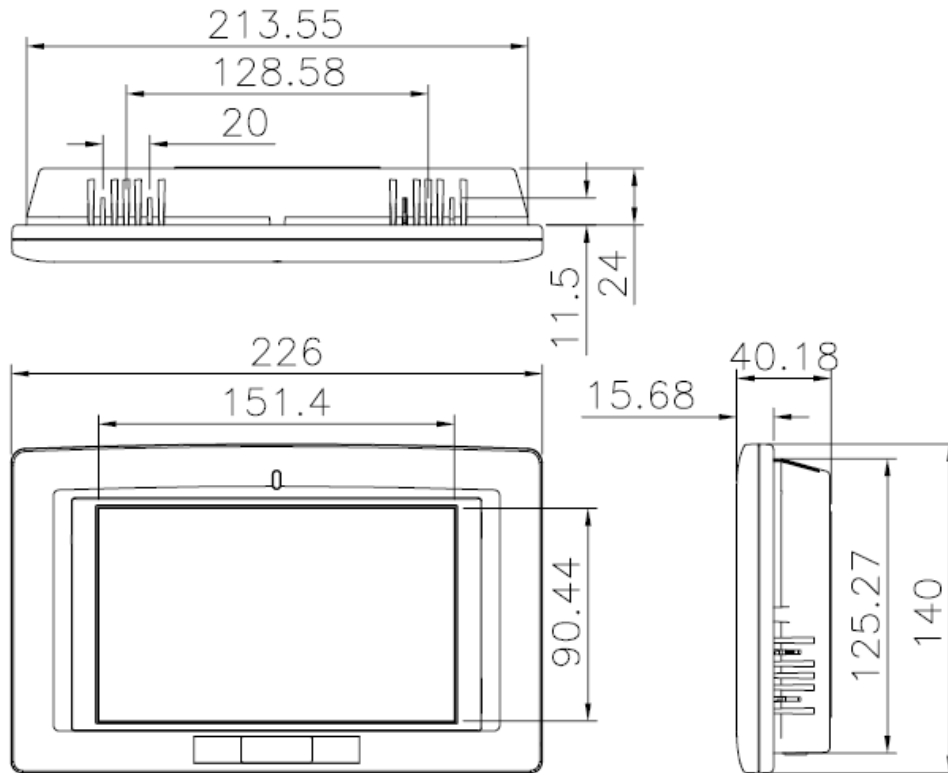


Figure 1-6: AFL-07A-LX Dimensions (units in mm)

AFOLUX LX Series Flat Panel PC

1.5.2 AFL-08AH-LX Dimensions

The dimensions of the AFL-08AH-LX flat panel PC are shown in **Figure 1-7** below.

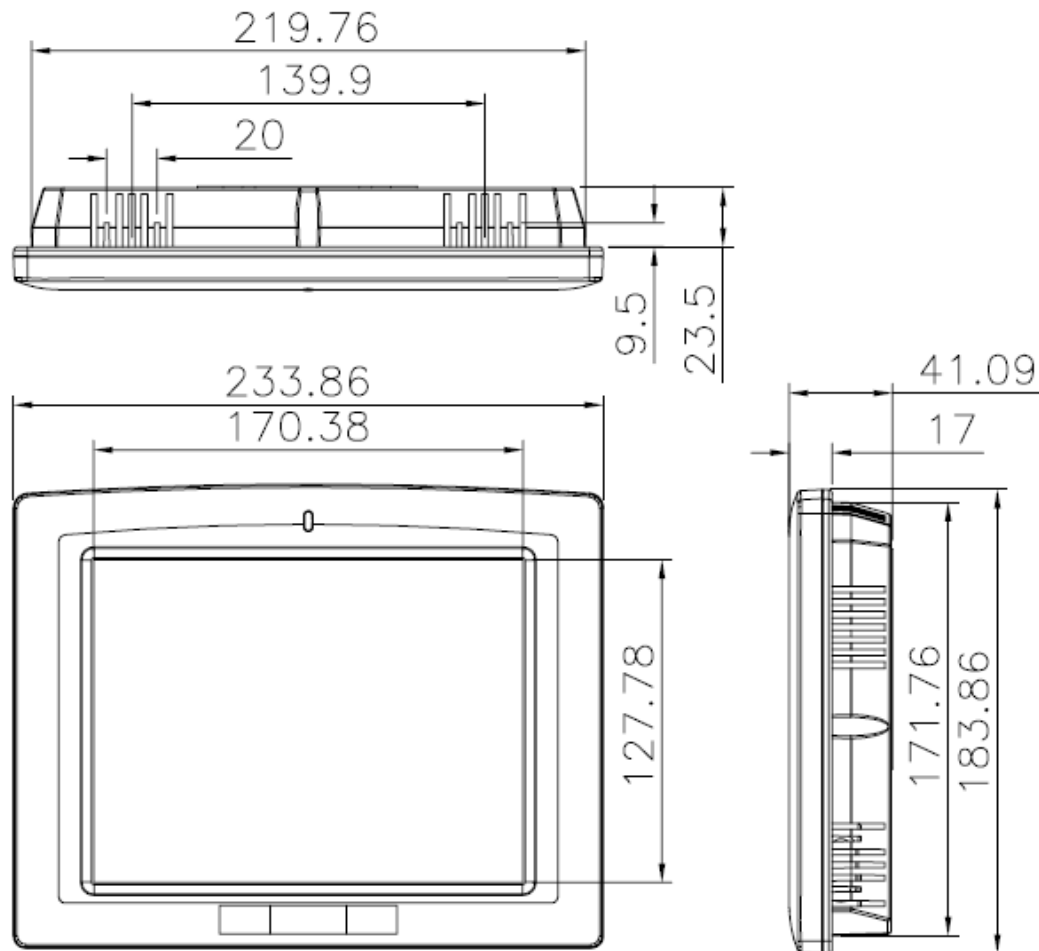


Figure 1-7: AFL-08AH-LX Dimensions (units in mm)

1.5.3 AFL-10A-LX Dimensions

The dimensions of the AFL-10A-LX flat panel PC are shown in **Figure 1-7** below.

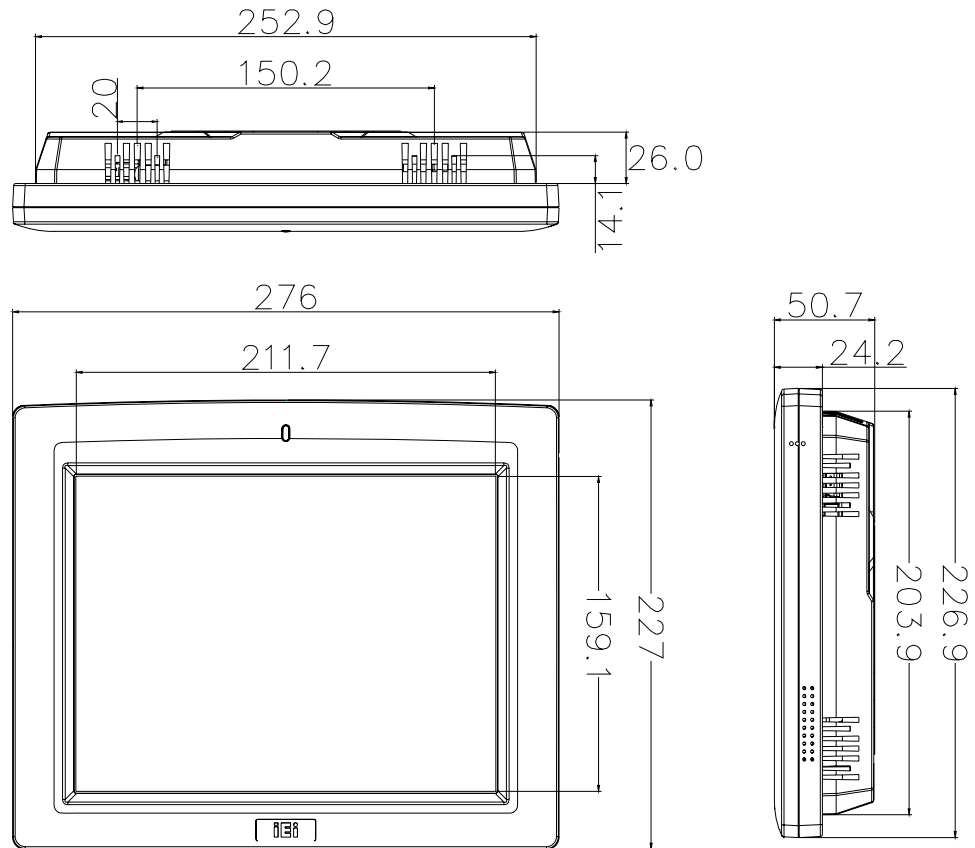


Figure 1-8: AFL-10A-LX Dimensions (units in mm)

AFOLUX LX Series Flat Panel PC

1.5.4 AFL-12A-LX Dimensions

The dimensions of the AFL-12A-LX flat panel PC are shown in **Figure 1-7** below.

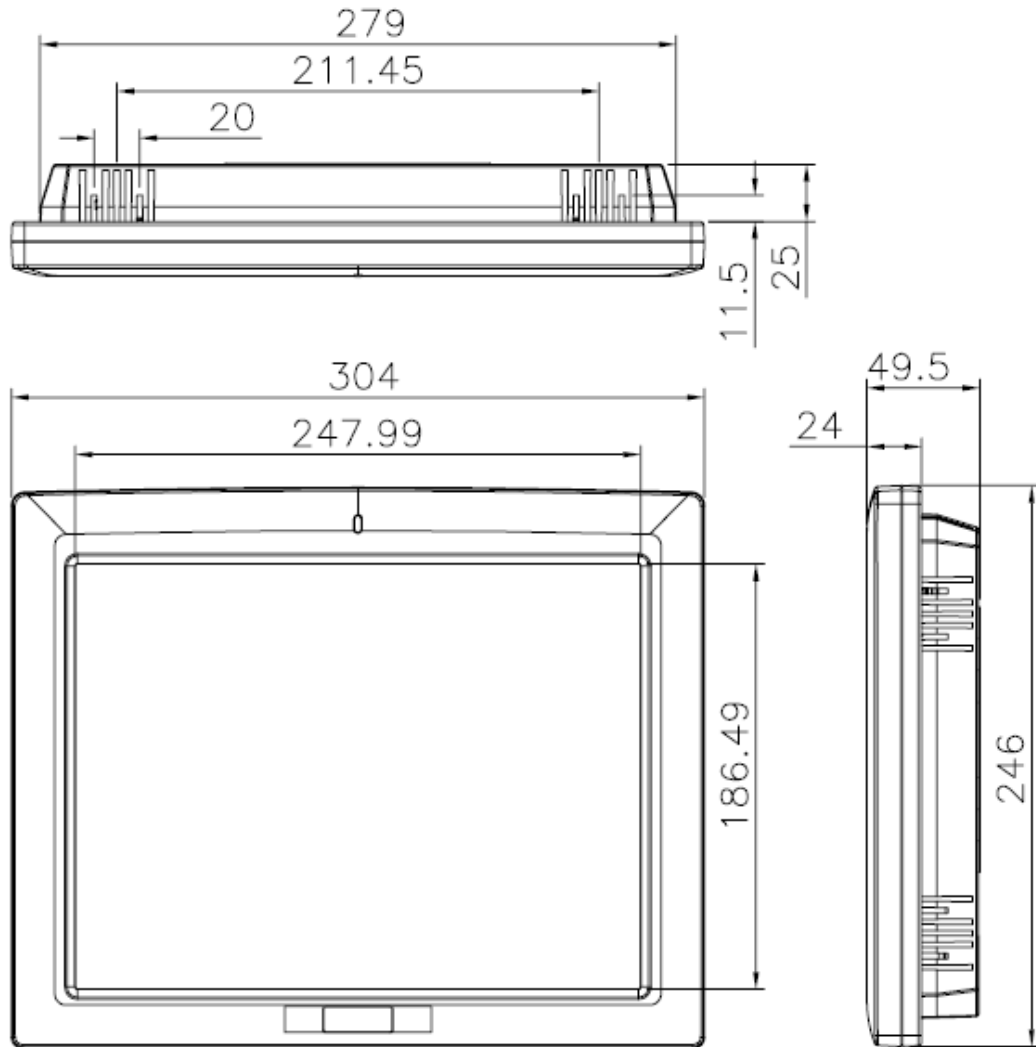


Figure 1-9: AFL-12A-LX Dimensions (units in mm)



Chapter

2

Motherboard

2.1 Introduction

The AFOLUX LX series flat screen PC contains the AFLMB-LX800 motherboard. The motherboard is the heart of any computer and is responsible for transmitting, receiving and processing data as well as driving the different onboard devices. This chapter gives a brief introduction to the AFLMB-LX800 motherboard.

2.2 CPU Support

The AFLMB-LX800 motherboard comes with a preinstalled AMD® Geode™ LX 800 500MHz CPU.

2.2.1 AMD® Geode™ LX 800 500MHz Specifications

The specifications for the 500MHz AMD® Geode™ LX 800 are listed below

- x86/x87-compatible core
- Processor frequency up to 500 MHZ
- 64K I/64K D L1 cache and 128K L2 cache
- Split I/D cache/TLB (Translation Look-Aside Buffer)
- 64-bit DDR Memory interface up to 400MHz (LX 800), up to 333MHz (LX 700)
- Integrated FPU that supports the Intel MMX® and AMD 3DNow!™ Technology instruction sets
- 9 GB/s internal GeodeLink™ Interface Unit (GLIU)
- Security Block
 - 128-bit AES (CBC/ECB)
 - True Random Number Generator
- High-resolution CRT and TFT outputs (simultaneous operation)
 - Support for High Definition (HD) and Standard Definition (SD) standards
 - Support 1920x1440 in CRT mode and 1600x1200 in TFT mode
- VESA 1.1 and 2.0 VIP/VDA support
- 0.13 micron process
- 481-terminal PBGA (Plastic Ball Grid Array) with internal heatspreader

2.2.2 AMD® Geode™ LX 800 500MHz Power Management

The power management for the 500MHz AMD® Geode™ LX 800 is listed below:

- 1.8W Typical (3.9W TDP) @ 500MHz
- GeodeLink active hardware power management
- Hardware support for standard ACPI software power management
- I/O companion SUSP#/SUSPA# power controls
- Lower power I/O
- Wakeup on SMI/INTR

2.3 System Chipset

The AFLMB-LX800 motherboard has a preinstalled AMD® Geode™ CS5536 system chipset. The system chipset features are listed below.

- **GeodeLink™ Interface Unit**
 - 64-bit, 66MHz operation
 - PCI VSM (Virtual System Module) that makes the interface transparent to applications software and BIOS
 - Programmable routing descriptors, use and activity monitors, and SSMI (Synchronous System Management Interrupt)
- **ATA-6 Controller**
 - 100 MB/second IDE Controller in UDMA mode per the ATA-6 specification
 - 5V interface
- **Flash Interface**
 - Multiplexed with IDE interface Connects to an array of industry standard NAND Flash and/or NOR Flash
- **USB Controller**
 - 4 USB ports (two internal and two external)
 - Supports both USB 1.1 and USB 2.0
 - 3 host ports
 - 1 host/device

AFOLUX LX Series Flat Panel PC

- **Audio Codec 97 (AC97) Controller**
 - AC97 specification v2.3 compliant interface to multiple audio codecs: Serial In, Serial Out, Sync Out, Bit Clock In
 - Legacy “PC Beep” support
- **Diverse Device**
 - 82xx Legacy Devices
 - IR Communication Port
 - System Management Bus (SMB) Controller
 - LPC (Low Pin Count) Port
 - General Purpose I/Os (GPIOs)
 - 8 Multi-Function General Purpose Timers (MFGPTs)
 - Real-Time Clock (RTC) with CMOS RAM
 - Power Management Controller
 - ACPI v2.0 compliant

2.4 Graphics Support

The Geode LX processor’s Graphics Processor is a BitBLT/vector engine that supports pattern generation, source expansion, pattern/source transparency, 256 ternary raster operations, alpha blenders to support alpha- BLTs, incorporated BLT FIFOs, a GeodeLink interface and the ability to throttle BLTs according to video timing. New features added to the Graphics Processor include:

- Command buffer interface
- Hardware accelerated rotation BLTs
- Color depth conversion
- Paletized color
- Full 8x8 color pattern buffer
- Separate base addresses for all channels
- Monochrome inversion

Table 2-1: Geode LX Graphics Features lists a complete list of Geode LX graphics features. For more details, please refer to the AMD website or the Geode LX series data book available from AMD.

Feature	AMD Geode™ LX Processor
Color Depth	8, 16, 32 bpp (A) RGB 4 and 8-bit indexed
ROPs	256 (2-src, dest and pattern)
BLT Buffers	FIFOs in Graphics Processor
BLT Splitting	Managed by hardware
Video Synchronized BLT/Vector	Throttle by VBLANK
Bresenham Lines	Yes
Patterned (stippled) Lines	Yes
Screen to Screen BLT	Yes
Screen to Screen BLT with mono expansion	Yes
Memory to Screen BLT	Yes (throttled rep movs writes)
Accelerated Text	No
Pattern Size (Mono)	8x8 pixels
Pattern Size (Color)	8x8 pixels
Monochrome Pattern	Yes (with inversion)
Dithered Pattern (4 color)	No
Color Pattern	8, 16, 32 bpp
Transparent Pattern	Monochrome
Solid Fill	Yes
Pattern Fill	Yes
Transparent Source	Monochrome
Color Key Source Transparency	Y with mask
Variable Source Stride	Yes
Variable Destination Stride	Yes
Destination Write Bursting	Yes
Selectable BLT Direction	Vertical and Horizontal
Alpha BLT	Yes (constant α , α/pix , or sep. α channel)
VGA Support	Decodes VGA Register
Pipeline Depth	Unlimited
Accelerated Rotation BLT	8, 16, 32 bpp
Color Depth Conversion	5:6:5, 1:5:5:5, 4:4:4:4, 8:8:8:8

Table 2-1: Geode LX Graphics Features

2.5 Ethernet Controller Specifications

2.5.1 Overview

The Realtek RTL8100C(L) is a highly integrated and cost-effective single-chip Fast Ethernet controller. It is enhanced with an ACPI (Advanced Configuration Power Interface) management function for PCI in order to provide efficient power management for advanced operating systems with OSPM (Operating System Directed Power Management).

The RTL8100C(L) also supports remote wake-up (including AMD Magic Packet™ and Microsoft® Wake-up frame) to increase cost-efficiency in network maintenance and management. It is an ideal solution for notebook/motherboard-embedded network designs.

2.5.2 Features

- Integrates Fast Ethernet MAC, physical chip, and transceiver onto a single chip
- 10Mbps and 100Mbps operation
- Supports 10Mbps and 100Mbps N-way auto-negotiation
- Supports 25MHz Crystal or 25MHz OSC as the internal clock source
- Complies with PC99/PC2001 standards
- Supports ACPI power management
- Provides PCI bus master data transfer
- Provides PCI memory space or I/O space mapped data transfer
- Supports PCI clock speed of 16.75MHz-40MHz
- Advanced power saving mode
- Supports Wake-on-LAN and remote wake-up (AMD Magic Packet™, Link Change, and Microsoft® Wake-up frame)
- Half/Full duplex capability
- Supports Full Duplex Flow Control (IEEE 802.3x)
- Provides interface to 93C46 EEPROM to store resource configuration and ID parameters
- Provides PCI clock run pin
- Provides LED pins for network operation status indication

- 2.5/3.3V power supply with 5V tolerant I/Os

2.6 Peripheral Device Interfaces, Connectors, and Slots

The peripheral device connectors, interfaces and slots on the WAFER-LX motherboard are listed in the sections below.

2.6.1 OEM Options

Many of the peripheral device connectors listed below are not connected to any devices. These connectors are reserved for OEM customizations. For a customized option, please contact the vendor, reseller or IEI sales representative.

2.6.2 Internal Slots

The slots listed below can all be found on the WAFER-LX motherboard.

- 1 x 200-pin DDR SO-DIMM socket
- 1 x CFII slot

2.6.3 Internal Peripheral Device Connectors

The peripheral device connectors listed below are located on the AFLMB-LX800 motherboard and used for the AFOLUX series. **Figure 2-1** shows the overview of the connectors that are used for the AFOLUX series.

- 1 x Audio connector
- 1 x CompactFlash[®] (CF) slot
- 1 x Inverter connector
- 1 x LCD interface connector
- 1 x LED connector
- 1 x Mini PCI socket (for wireless LAN module)
- 1 x Power switch connector
- 1 x Touch screen connector

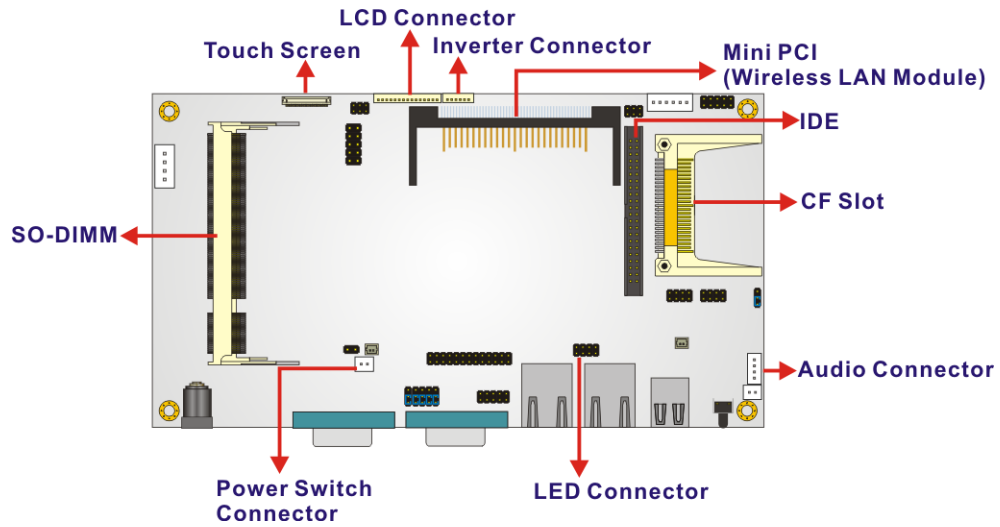


Figure 2-1: AFLMB-LX800 Connector Overview

2.6.4 External Peripheral Device Connectors

The peripheral device connectors listed below are located on the rear panel of the AFLMB-LX800 motherboard.

- 2 x Ethernet connectors
- 2 x USB connectors
- 2 x Serial port connectors
- 1 x Reset button
- 1 x Power connector



Chapter

3

Installation

3.1 Installation Precautions

When installing the flat panel PC, please follow the precautions listed below:

- **Power turned off:** When installing the flat panel PC, make sure the power is off. Failing to turn off the power may cause severe injury to the body and/or damage to the system.
- **Certified Engineers:** Only certified engineers should install and modify onboard functionalities.
- **Mounting:** The flat panel PC is a heavy device. When mounting the system onto a rack, panel, wall or arm please make sure that at least two people are assisting with the procedure.
- **Anti-static Discharge:** If a user open the rear panel of the flat panel PC, to configure the jumpers or plug in added peripheral devices, ground themselves first and wear an anti-static wristband.

3.2 Preinstalled Components

The following components are all preinstalled.

- Motherboard
- TFT LCD screen
- 256MB/512MB DDR memory module
- Resistive type touch screen
- Wireless LAN module
- AT/ATX power switch

Preinstalled OEM customizations may include the following.

- Different DDR memory module
- HSUPA module (AFL-10A-LX and AFL-12A-LX models only)
- Hard disk drive (AFL-12A-LX model only)

Installation of some of the components are described in **the following sections**.

3.3 Installation and Configuration Steps

The following installation steps must be followed.

- Step 1:** Unpack the flat panel PC
- Step 2:** Install CF card
- Step 3:** Install HDD (AFL-12A-LX model only)
- Step 4:** Mount the flat panel PC
- Step 5:** Connect peripheral devices to the bottom panel of the flat panel PC
- Step 6:** Configure the system

3.4 Unpacking

To unpack the flat panel PC, follow the steps below:



WARNING!

The front side LCD screen has a protective plastic cover stuck to the screen. Only remove the plastic cover after the flat panel PC has been properly installed. This ensures the screen is protected during the installation process.

- Step 1:** Use box cutters, a knife or a sharp pair of scissors that seals the top side of the external (second) box.
- Step 2:** Open the external (second) box.
- Step 3:** Use box cutters, a knife or a sharp pair of scissors that seals the top side of the internal (first) box.
- Step 4:** Lift the monitor out of the boxes.
- Step 5:** Remove both polystyrene ends, one from each side.








AFOLUX LX Series Flat Panel PC



Step 6: Pull the plastic cover off the flat panel PC.

Step 7: Make sure all the components listed in the packing list are present.

3.4.1 Packing List

Step 1: The AFOLUX LX flat panel PC is shipped with the following components:

Quantity	Item	Image
Standard		
1	AFOLUX LX series panel PC	
1	Power adapter	
1	Power cord	
1	User manual CD and driver CD	
1	Touch pen	
Optional		
4 (6)	Panel mounting clamp (AFL-12A-LX)	
1	Wall mounting kit	

1	128MB CompactFlash® card with Windows CE 5.0 pre-installed and SDK	
1	1GB CompactFlash® card with Windows XPE pre-installed	

Step 2: If any of these items are missing or damaged, contact the distributor or sales representative immediately.

3.5 CF Card Installation



WARNING:

Over-tightening back cover screws will crack the plastic frame.
Maximum torque for cover screws is 5 kg-cm (0.36 lb-ft/0.49 Nm).

The AFOLUX LX series has one CF Type II slot inside the rear panel. To install the CF card, follow the instructions below.

Step 1: Remove the nine retention screws (**Figure 3-1**) and lift the cover off the flat panel PC.



Figure 3-1: Back Cover Retention Screws

Step 2: For AFL-08AH-LX, lift the cover off and pull down the cover a bit to make it possible to lift the cover further more after removing the nine retention screws

AFOLUX LX Series Flat Panel PC

(Figure 3-2). Push the power switch while lifting the back cover. More strength is required to separate the cover from the chassis.

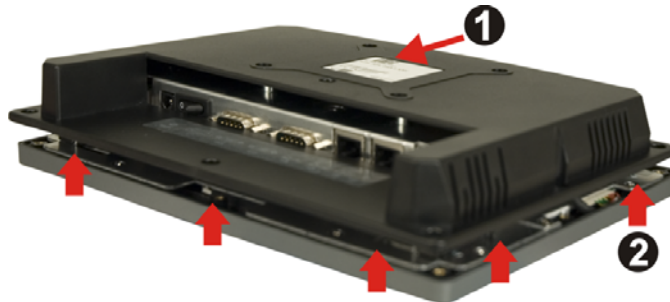


Figure 3-2: AFL-08AH-LX Plastic Back Cover Removal

Step 3: Locate the CF slot. Insert a CF card into the slot (Figure 3-3).



Figure 3-3: CF Card Location

Step 4: Replace the plastic back cover. For AFL-08AH-LX, more strength is required when pushing the bottom part of the cover down to the chassis (Figure 3-4).

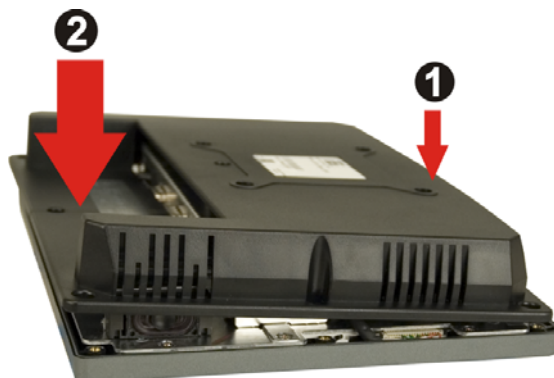


Figure 3-4: AFL-08AH-LX Plastic Back Cover Replacement

Step 5: Once replaced reinsert the nine previously removed retention screws.

3.6 HDD Installation (AF-12A-LX Only)

**WARNING:**

Over-tightening back cover screws will crack the plastic frame.
Maximum torque for cover screws is 5 kg-cm (0.36 lb-ft/0.49 Nm).

To install the HDD into the AF-12A-LX, please follow the steps below:

Step 1: Remove the plastic back cover. See **Section 3.5** above.

Step 2: Remove the eight retention screws securing the internal aluminum cover
(**Figure 3-5**).

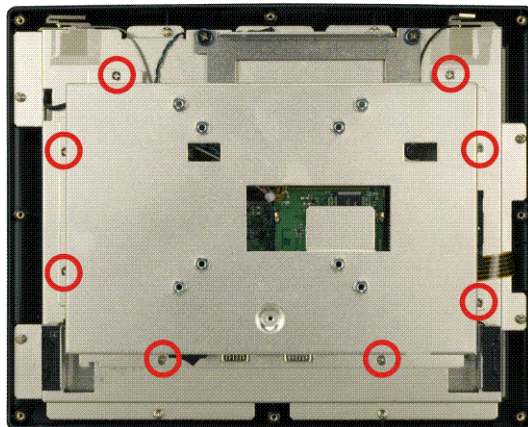


Figure 3-5: AFL-12A-LX Aluminum Back Cover Retention Screws

Step 3: Remove the four hexagonal pillars on the bottom panel.

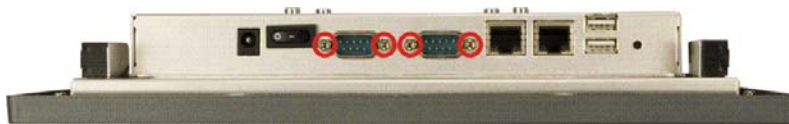


Figure 3-6: Four Hexagonal Pillars on the Bottom Panel

Step 4: Push the external interface connector apart from the aluminum cover and lift the aluminum cover off the AF-12A-LX.

AFOLUX LX Series Flat Panel PC

Step 5: Disconnect the power switch cable from the motherboard and remove the aluminum cover.

Step 6: Remove the four HDD bracket retention screws (**Figure 3-7**) and lift the HDD bracket off the panel PC.

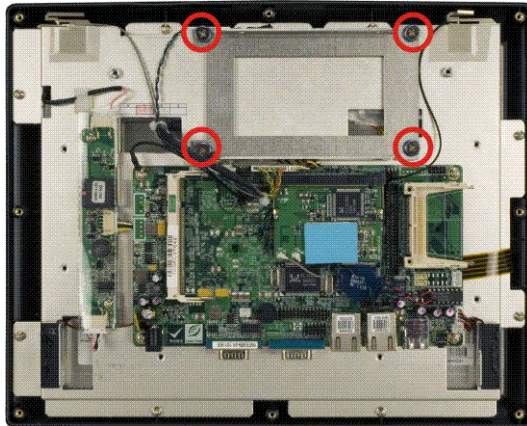


Figure 3-7: AFL-12A-LX HDD Bracket Retention Screws

Step 7: Attach the HDD brackets to the HDD. To do this, align the four retention screw holes in the both sides of the HDD bracket with the retention screw holes on the sides of the HDD. Insert four retention screws into the HDD bracket (**Figure 3-8**).

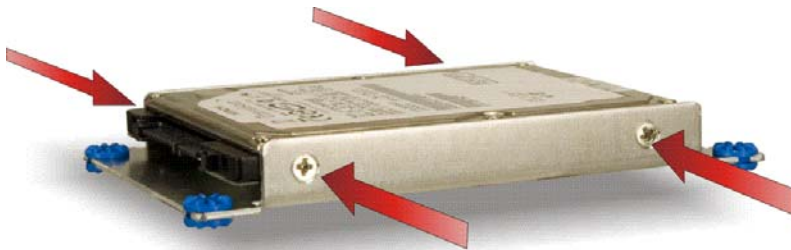


Figure 3-8: AF-12A-LX HDD Retention Screws

Step 8: Connect the IDE cable to the rear of HDD.

Step 9: Install the HDD into the AF-12A-LX by aligning the retention screw holes in the HDD brackets with the retention screw holes on the chassis. Insert the four retention screws.

Step 10: Re-connect the power switch cable to the motherboard.

Step 11: Replace the aluminum back cover to the chassis.

Step 12: Replace the plastic back cover.

3.7 AT/ATX Mode Selection

AT and ATX power modes can both be used on the AFOLUX LX series. The selection is made through an AT/ATX switch on the aluminum chassis inside the plastic back cover (**Figure 3-9**). To select AT mode or ATX mode, follow the steps below.

Step 1: Remove the plastic back cover. See **Section 3.5** above.

Step 2: Locate the AT/ATX switch on the aluminum chassis (**Figure 3-9**).

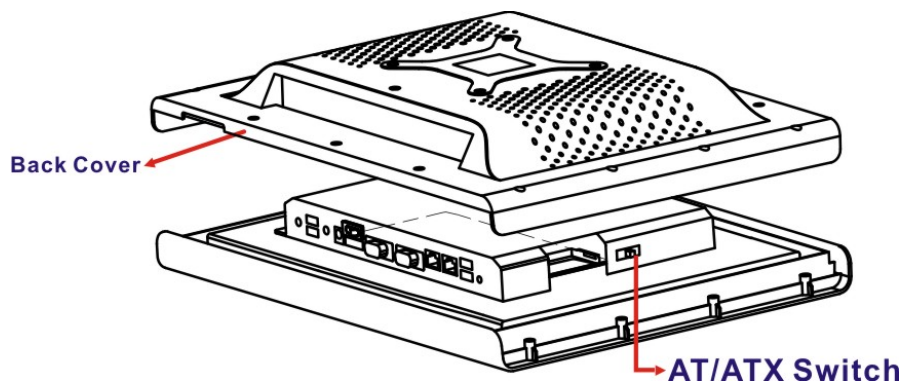


Figure 3-9: AT/ATX Switch Location

Step 3: Adjust the AT/ATX switch.

3.7.1 AT Power Mode

With the AT mode selected, the power is controlled by a central power unit rather than a power switch. The AFOLUX LX panel PC turns on automatically when the power is connected. The AT mode benefits a production line to control multiple panel PCs from a central management center and other applications including:

- ATM
- Self-service kiosk
- Plant environment monitoring system
- Factory automation platform

AFOLUX LX Series Flat Panel PC

- Manufacturing shop flow

3.7.2 ATX Power Mode

With the ATX mode selected, the AFOLUX LX panel PC goes in a standby mode when it is turned off. The panel PC can be easily turned on via network or a power switch in standby mode. Remote power control is perfect for advertising applications since the broadcasting time for each panel PC can be set individually and controlled remotely. Other possible application includes

- Security surveillance
- Point-of-Sale (POS)
- Advertising terminal

3.8 Mounting the System



WARNING!

When mounting the flat panel PC onto an arm, onto the wall or onto a panel, it is better to have more than one person to help with the installation to make sure the panel PC does not fall down and get damaged.

The four methods of mounting the AFOLUX LX are listed below.

- Wall mounting
- Panel mounting
- Arm mounting
- Rack mounting

The four mounting methods are described below.

3.8.1 Wall Mounting

To mount the flat panel PC onto the wall, please follow the steps below.

- Step 1:** Select the location on the wall for the wall-mounting bracket.
- Step 2:** Carefully mark the locations of the four brackets screw holes on the wall.
- Step 3:** Drill four pilot holes at the marked locations on the wall for the bracket retention screws.
- Step 4:** Align the wall-mounting bracket screw holes with the pilot holes.
- Step 5:** Secure the mounting-bracket to the wall by inserting the retention screws into the four pilot holes and tightening them (**Figure 3-10**).

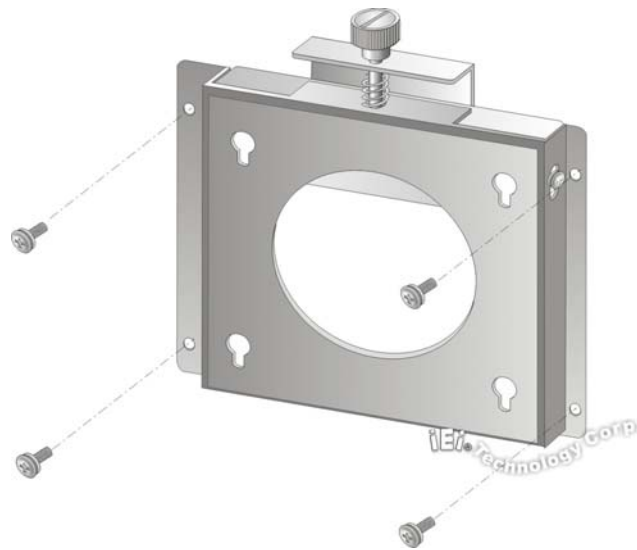


Figure 3-10: Wall-mounting Bracket

- Step 6:** Insert the four monitor mounting screws provided in the wall mounting kit into the four screw holes on the rear panel of the flat panel PC and tighten until the screw shank is secured against the rear panel (**Figure 3-11**).
- Step 7:** Align the mounting screws on the monitor rear panel with the mounting holes on the bracket.
- Step 8:** Carefully insert the screws through the holes and gently pull the monitor downwards until the monitor rests securely in the slotted holes (**Figure 3-11**). Ensure that all four of the mounting screws fit snugly into their respective slotted holes.

AFOLUX LX Series Flat Panel PC

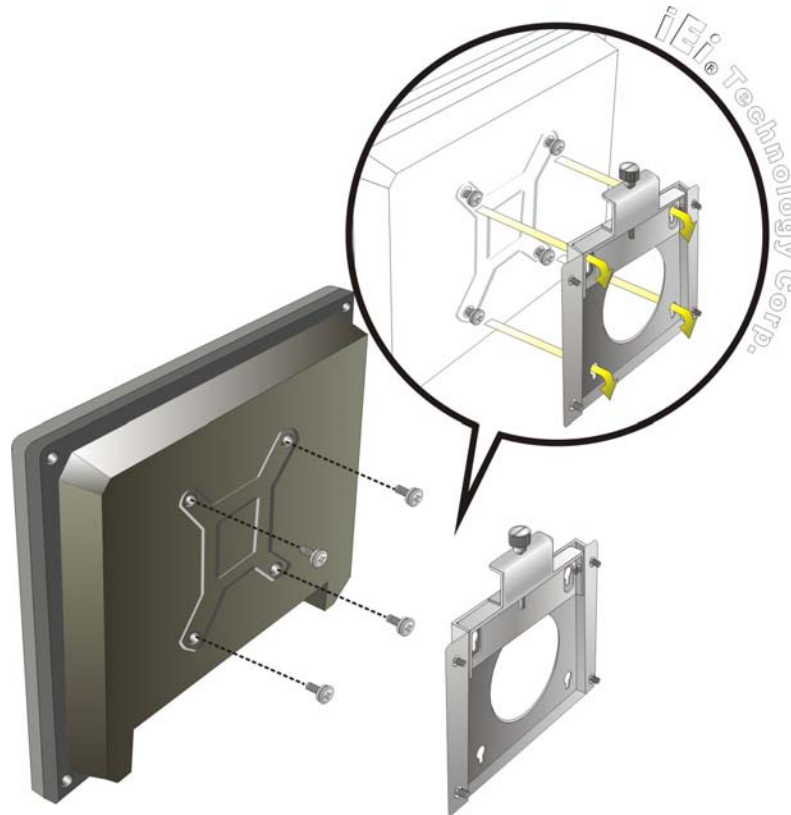


Figure 3-11: Chassis Support Screws



NOTE:

In the diagram below the bracket is already installed on the wall.

- Step 9:** Secure the panel PC by fastening the retention screw of the wall-mounting bracket. (Figure 3-12).

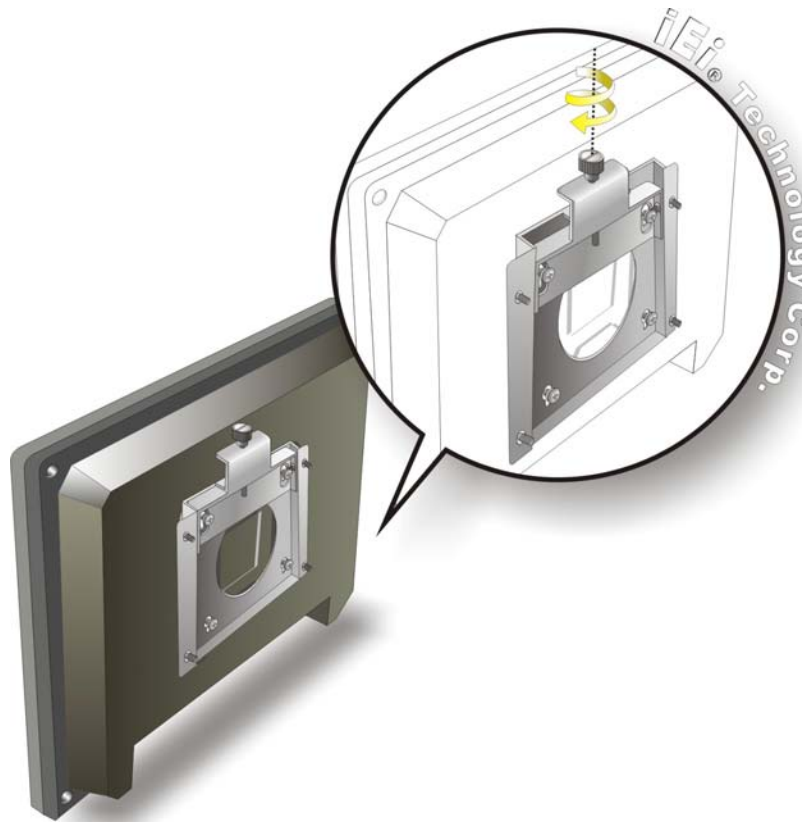


Figure 3-12: Secure the Panel PC

3.8.2 Panel Mounting

To mount the AFOLUX LX series flat panel PC into a panel, please follow the steps below.

- Step 1:** Select the position on the panel to mount the flat panel PC.
- Step 2:** Cut out a section from the panel that corresponds to the rear panel dimensions of the flat panel PC. Take care that the panel section that is cut out is smaller than the overall size of the metal frame that surrounds the flat panel PC but just large enough for the rear panel of the flat panel PC to fit through (**Figure 3-13**, **Figure 3-14** and **Figure 3-15**).

AFOLUX LX Series Flat Panel PC

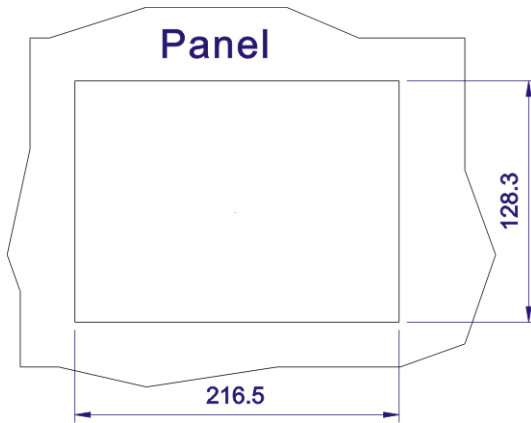


Figure 3-13: AFL-07A-LX Panel Opening

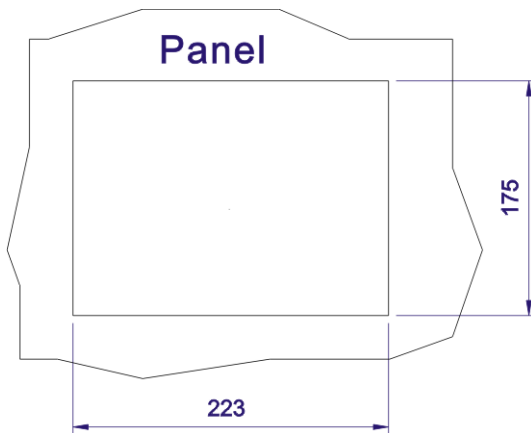


Figure 3-14: AFL-08AH-LX Panel Opening

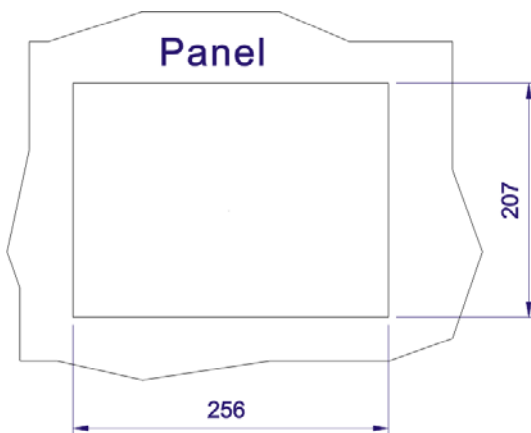


Figure 3-15: AFL-10A-LX Panel Opening

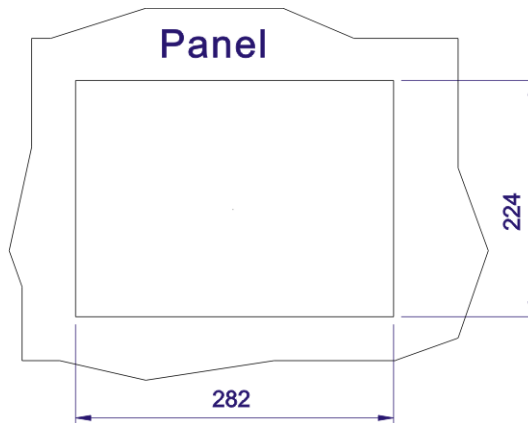


Figure 3-16: AFL-12A-LX Panel Opening

- Step 3:** Slide the flat panel PC through the hole until the aluminum frame is flush against the panel.
- Step 4:** Insert the panel mounting clamps into the pre-formed holes along the edges of the chassis, behind the aluminum frame. There are a total of 4 panel mounting clamps for AFL-07A-LX/ AFL-08AH-LX and 6 panel mounting clamps for AFL-10A-LX/AFL-12A-LX.
- Step 5:** Tighten the screws that pass through the panel mounting clamps until the plastic caps at the front of all the screws are firmly secured to the panel (**Figure 3-17**).

AFOLUX LX Series Flat Panel PC

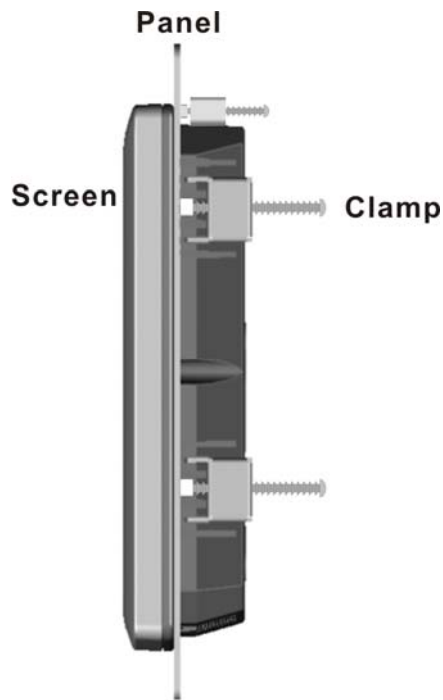


Figure 3-17: Tighten the Panel Mounting Clamp Screws (AFL-10A/12A-LX)

3.8.3 Arm Mounting

The AFOLUX LX series is VESA (Video Electronics Standards Association) compliant and can be mounted on an arm with a 75mm or 100mm interface pad. To mount the AFOLUX LX series on an arm, please follow the steps below.

Step 1: The arm is a separately purchased item. Please correctly mount the arm onto the surface it uses as a base. To do this, refer to the installation documentation that came with the mounting arm.



NOTE:

When purchasing the arm please ensure that it is VESA compliant and that the arm has a 75mm interface pad. If the mounting arm is not VESA compliant it cannot be used to support the AFOLUX LX series flat panel PC. The AFL-10A-LX and AFL-12A-LX also support VESA MIS-D 100.

Step 2: Once the mounting arm has been firmly attached to the surface, lift the flat panel PC onto the interface pad of the mounting arm.

Step 3: Align the retention screw holes on the mounting arm interface with those in the flat panel PC. The AFL-07A-LX/ AFL-07A-LX arm mount retention screw holes are shown in **Figure 3-18** and the AFL-10A-LX/AFL-12A-LX are shown in **Figure 3-19**.

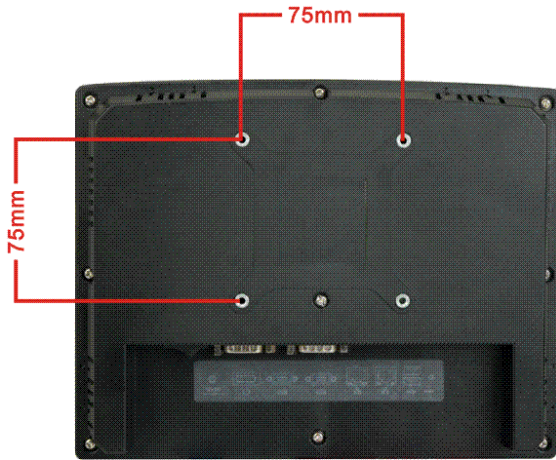


Figure 3-18: AFL-07A-LX/AFL-08AH-LX Arm Mounting Retention Screw Holes

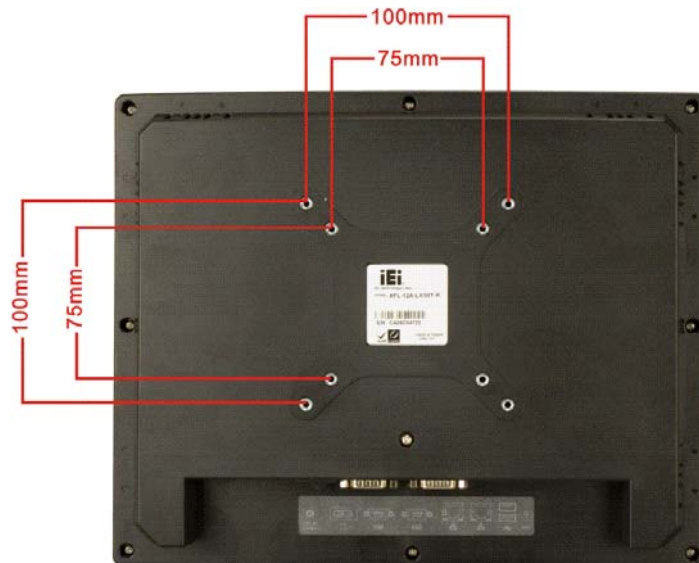


Figure 3-19: AFL-10A-LX/AFL-12A-LX Arm Mounting Retention Screw Holes

AFOLUX LX Series Flat Panel PC

Step 4: Secure the flat panel PC to the interface pad by inserting four retention screws through the bottom of the mounting arm interface pad and into the flat panel PC.

3.8.4 Cabinet and Rack Installation

The AFL LX series flat panel PC can be installed into a cabinet or rack. The installation procedures are similar to the panel mounting installation. To do this, please follow the steps below:



NOTE:

When purchasing the cabinet/rack installation bracket, make sure it is compatible with both the AFL LX series flat panel PC and the rack/cabinet into which the AFL LX series is installed.

Step 1: Slide the rear chassis of the AFL LX series flat panel PC through the rack/cabinet bracket until the aluminum frame is flush against the front of the bracket (**Figure 3-20**).

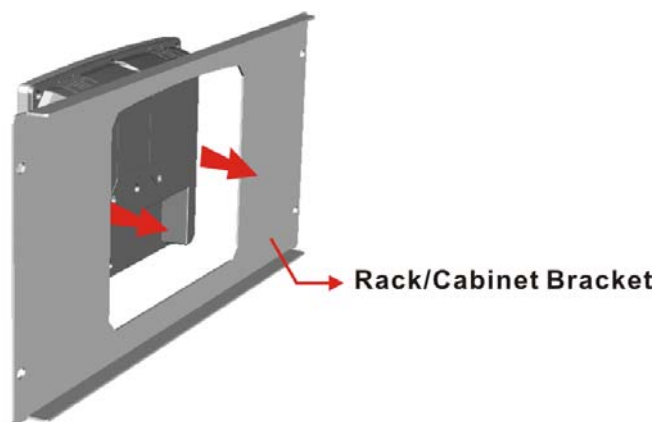


Figure 3-20: The Rack/Cabinet Bracket

Step 2: Insert the rack mounting clamps into the pre-formed holes along the edges of the flat panel PC, behind the ABS/PC plastic frame. There are a total of 4 rack

mounting clamps for AFL-07A-LX/ AFL-08AH-LX and 6 rack mounting clamps for AFL-10A-LX/AFL-12A-LX.

Step 3: Tighten the screws that pass through the rack mounting clamps until the plastic caps at the front of all the screws are firmly secured to the bracket (**Figure 3-21**).

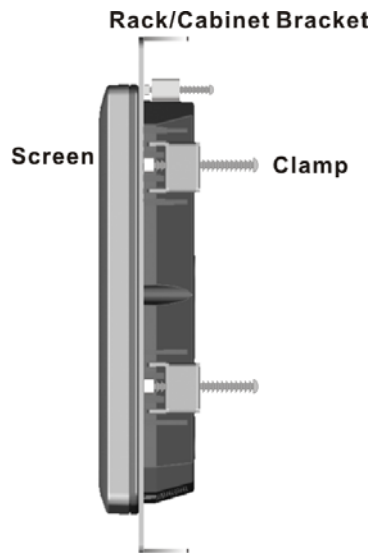
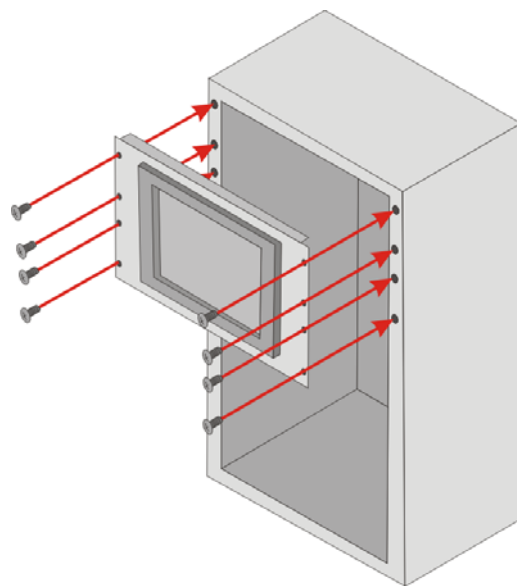


Figure 3-21: Secure the Rack/Cabinet Bracket (AFL-10A-LX/AFL-12A-LX)

Step 4: Slide the flat panel PC with the attached rack/cabinet bracket into a rack or cabinet (**Figure 3-22**).



AFOLUX LX Series Flat Panel PC

Figure 3-22: Install into a Rack/Cabinet

Step 5: Once the flat panel PC with the attached rack/cabinet bracket has been properly inserted into the rack or cabinet, secure the front of the rack/cabinet bracket to the front of the rack or cabinet (Figure 3-22).

3.9 Bottom Panel Connectors

3.9.1 LAN Connection

There are two external RJ-45 LAN connectors. The RJ-45 connectors enable connection to an external network. To connect a LAN cable with an RJ-45 connector, please follow the instructions below.

Step 1: Locate the RJ-45 connectors on the bottom panel of the AFOLUX LX Series.

Step 2: Align the connectors. Align the RJ-45 connector on the LAN cable with one of the RJ-45 connectors on the bottom panel of the AFOLUX LX Series. See Figure 3-23.

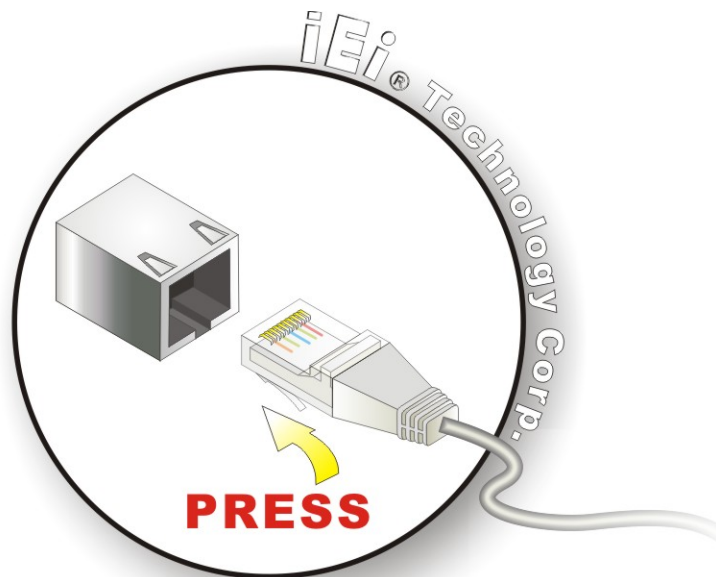


Figure 3-23: LAN Connection

Step 3: Insert the LAN cable RJ-45 connector. Once aligned, gently insert the LAN cable RJ-45 connector into the onboard RJ-45 connector.

3.9.2 Serial Device Connection

The AFOLUX LX Series has two single female DB-9 connectors on the bottom panel for a serial device. Follow the steps below to connect a serial device to the AFOLUX LX Series panel PC.

Step 1: Locate the DB-9 connector. The location of the DB-9 connector is shown in Chapter 2.

Step 2: Insert the serial connector. Insert the DB-9 connector of a serial device into the DB-9 connector on the bottom panel. See **Figure 3-24**.

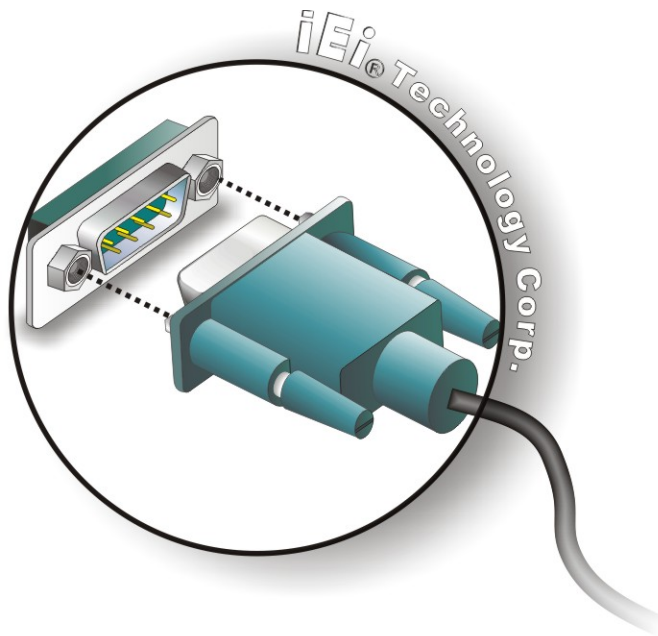


Figure 3-24: Serial Device Connector

Step 3: Secure the connector. Secure the serial device connector to the external interface by tightening the two retention screws on either side of the connector.

AFOLUX LX Series Flat Panel PC

3.9.3 USB Device Connection

There are two external USB 2.0 connectors. To connect a USB 2.0 or USB 1.1 device, please follow the instructions below.

Step 1: Located the USB connectors. The locations of the USB connectors are shown in **Chapter 2**.

Step 2: Align the connectors. Align the USB device connector with one of the connectors on the bottom panel. See **Figure 3-25**.

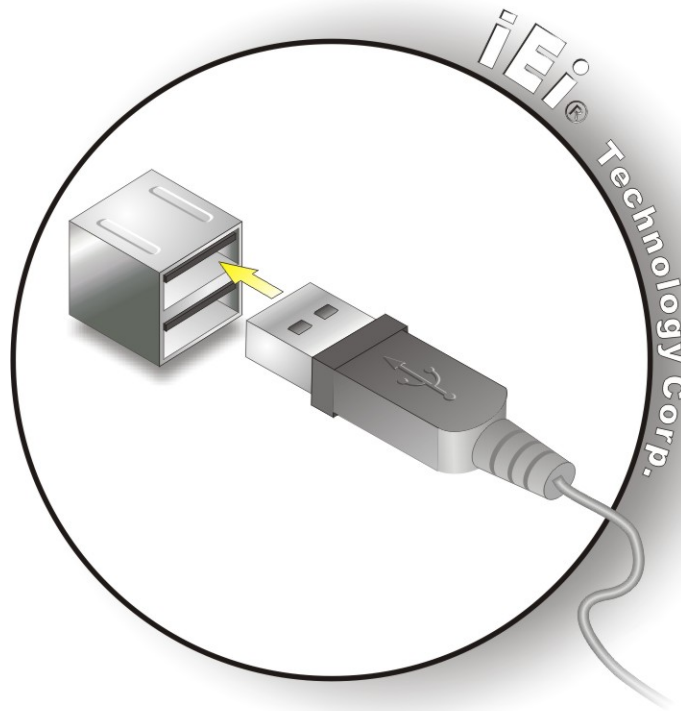


Figure 3-25: USB Device Connection

Step 3: Insert the device connector. Once aligned, gently insert the USB device connector into the onboard connector.

3.10 Power-up the System



WARNING:

Make sure a power supply with the correct input voltage is being fed into the system. Incorrect voltages applied to the system may cause damage to the internal electronic components and may also cause injury to the user.

To power-on the AFL LX Series please follow the steps below:

- Step 1:** Connect the power adapter to the power connector. Then, connect the power adapter to the power source.
- Step 2:** Push the power button. See **Figure 3-26**
- Step 3:** Once turned on, the power LED on the front panel should light on.

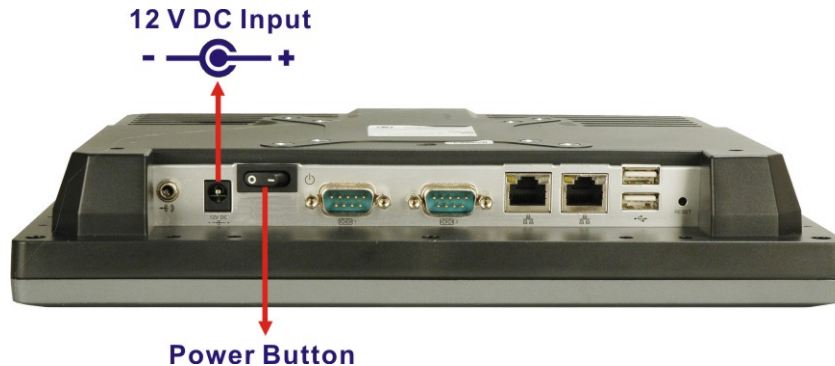


Figure 3-26: Power Connector and Power Button

Chapter

4

System Maintenance

4.1 System Maintenance Introduction

If the components of the AFOLUX LX series fail they must be replaced, such as the wireless LAN module or the motherboard. Please contact the system reseller or vendor to purchase the replacement parts. Back cover removal instructions and jumper settings for the AFOLUX LX series are described below.

4.2 Motherboard Replacement

A user cannot replace a motherboard. If the motherboard fails it must be shipped back to IEI to be replaced. If the system motherboard has failed, please contact the system vendor, reseller or an IEI sales person directly.

4.3 Internal Aluminum Cover Removal



WARNING!

BEFORE REMOVING THE BACK COVER, MAKE SURE THE POWER IS OFF. Failing to do so may lead to severe damage of AFOLUX LX series and injury to the body.



WARNING!

PLEASE TAKE ANTISTATIC PRECAUTIONS WHEN WORKING WITH THE INTERNAL COMPONENTS. The interior of the AFOLUX LX series contains very sensitive electronic components. These components are easily damaged by electrostatic discharge (ESD). Before working with the internal components make sure all the anti-static precautions described earlier have been observed.

To replace any of the following components,

AFOLUX LX Series Flat Panel PC

- Motherboard
- DDR memory module
- Wireless LAN module
- Inverter

The internal aluminum back cover of the AFOLUX LX series must be removed. To remove the aluminum back cover, please follow the steps below.

4.3.1 AFL-07A-LX Internal Aluminum Cover Removal

Step 1: Remove the two retention screws securing the internal aluminum cover (**Figure 4-1**).

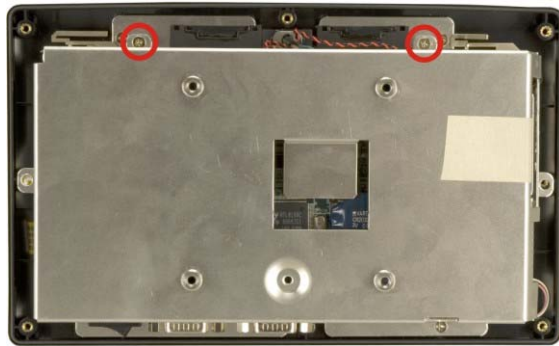


Figure 4-1: AFL-07A-LX Aluminum Back Cover Retention Screws

Step 2: Remove the four hexagonal pillars on the bottom panel (**Figure 4-2**).



Figure 4-2: Four Hexagonal Pillars on the Bottom Panel (AFL-07A-LX)

Step 3: Push the external interface connector apart from the aluminum cover and lift the aluminum cover off the AFL-07A-LX.

Step 4: Disconnect the power switch cable from the motherboard and remove the aluminum cover.

4.3.2 AFL-08AH-LX Internal Aluminum Cover Removal

Step 1: Remove the four retention screws (Figure 4-3).

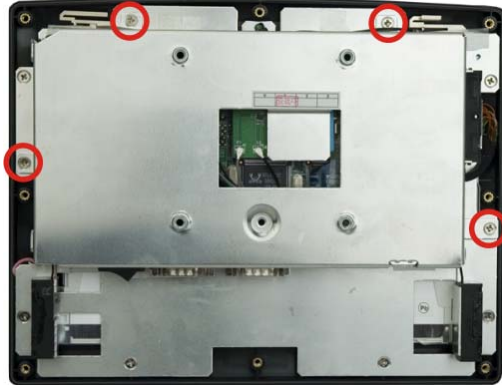


Figure 4-3: AFL-08AH-LX Aluminum Back Cover Retention Screws

Step 2: Remove the four hexagonal pillars on the bottom panel (Figure 4-4).



Figure 4-4: Four Hexagonal Pillars on the Bottom Panel (AFL-08AH-LX)

Step 3: Detach the tapes securing the wireless module cables on the chassis (Figure 4-5).

Step 4: Carefully cross the wireless module cables over the screw holes of the aluminum cover (Figure 4-5).



Figure 4-5: Wireless Module Cables

AFOLUX LX Series Flat Panel PC

Step 5: Push the external interface connector apart from the aluminum cover and lift the cover (Figure 4-6).

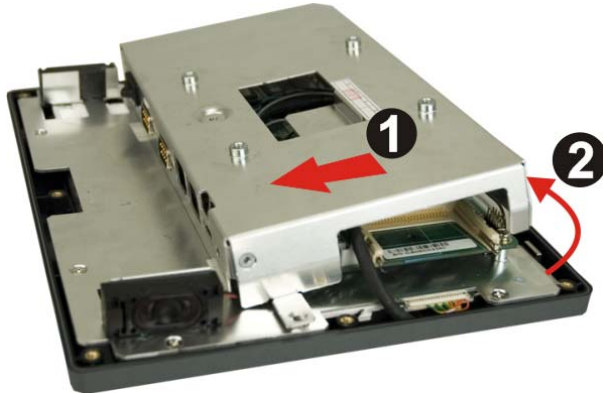


Figure 4-6: The Internal Aluminum Cover Removal

Step 6: Disconnect the power switch cable (Figure 4-7) from the motherboard and remove the aluminum cover.



Figure 4-7: Power Switch Cable

4.3.3 AFL-10A-LX Internal Aluminum Cover Removal

Step 1: Remove the eight retention screws securing the internal aluminum cover (Figure 4-10).

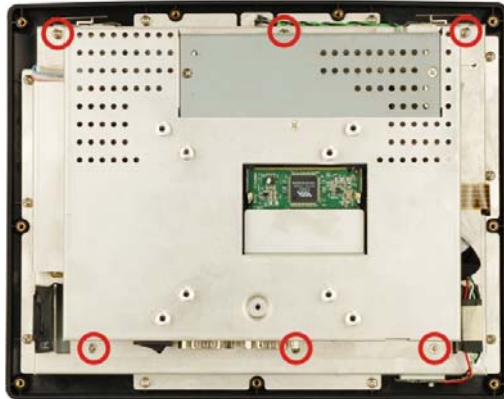


Figure 4-8: AFL-10A-LX Aluminum Back Cover Retention Screws

Step 2: Remove the four hexagonal pillars on the bottom panel (Figure 4-11).



Figure 4-9: Four Hexagonal Pillars on the Bottom Panel (AFL-10A-LX)

Step 3: Push the external interface connector apart from the aluminum cover and lift the aluminum cover off the AFL-10A-LX.

Step 4: Disconnect the power switch cable from the motherboard and remove the aluminum cover.

AFOLUX LX Series Flat Panel PC

4.3.4 AFL-12A-LX Internal Aluminum Cover Removal

Step 1: Remove the eight retention screws securing the internal aluminum cover (Figure 4-10).

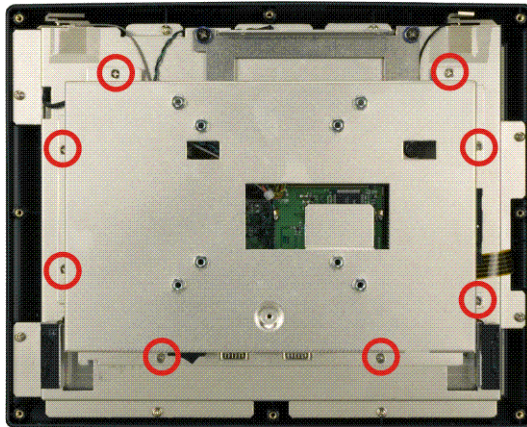


Figure 4-10: AFL-12A-LX Aluminum Back Cover Retention Screws

Step 2: Remove the four hexagonal pillars on the bottom panel (Figure 4-11).

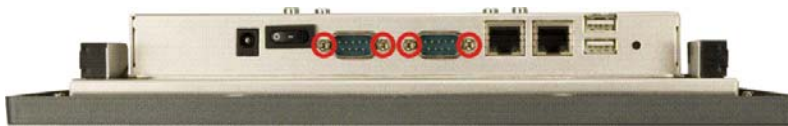


Figure 4-11: Four Hexagonal Pillars on the Bottom Panel (AFL-12A-LX)

Step 3: Push the external interface connector apart from the aluminum cover and lift the aluminum cover off the AFL-12A-LX.

Step 4: Disconnect the power switch cable from the motherboard and remove the aluminum cover.

4.4 Memory Module Replacement

The flat panel PC is preinstalled with a 256MB/512MB DDR memory module. If the memory module is fail, follow the instructions below to replace the memory module.

Step 1: Remove the back cover. See **Section 3.5** above.

Step 2: Remove the internal aluminum back cover. See Section 4.3 above.

Step 3: Locate the DDR memory module on the motherboard of the flat panel PC (Figure 4-12).

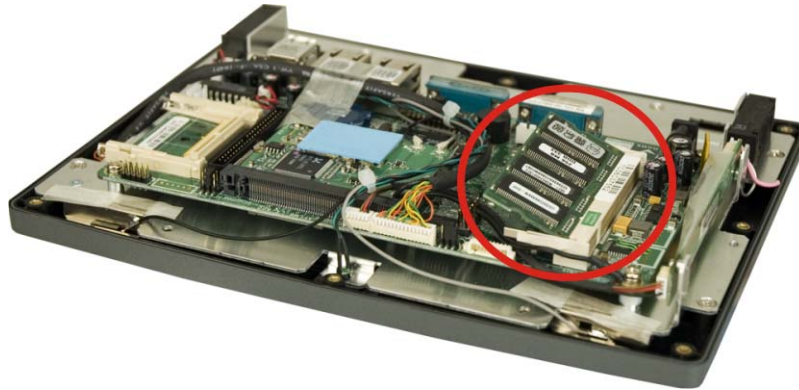


Figure 4-12: SO-DIMM Socket Location

Step 4: Remove the DDR memory module by pulling both the spring retainer clips outward from the socket.

Step 5: Grasp the DDR memory module by the edges and carefully pull it out of the socket.

Step 6: Install the new DDR memory module by pushing it into the socket at an angle (Figure 4-13).

Step 7: Gently pull the spring retainer clips of the SO-DIMM socket out and push the rear of the DDR memory module down (Figure 4-13).

Step 8: Release the spring retainer clips on the SO-DIMM socket. They clip into place and secure the DDR memory module in the socket.

AFOLUX LX Series Flat Panel PC

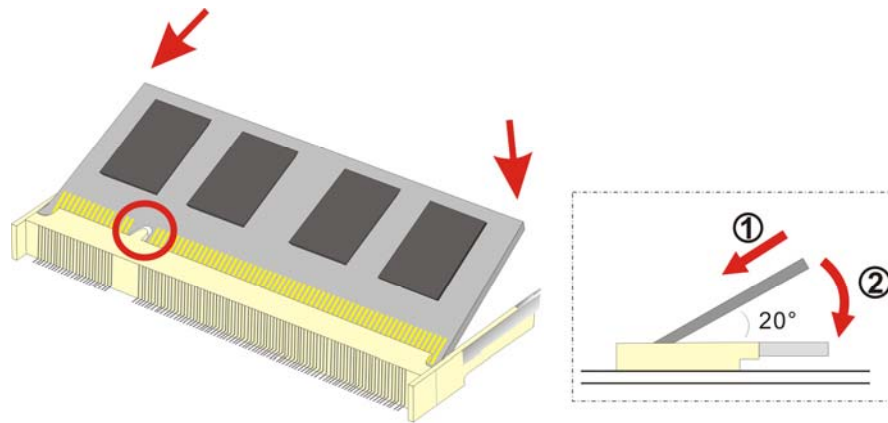


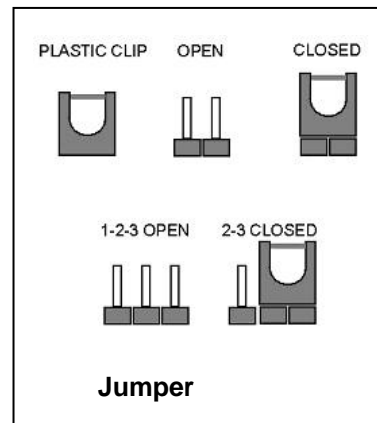
Figure 4-13: DDR SO-DIMM Module Installation

4.5 Jumper Settings



NOTE:

A jumper is a metal bridge that is used to close an electrical circuit. It consists of two metal pins and a small metal clip (often protected by a plastic cover) that slides over the pins to connect them. To CLOSE/SHORT a jumper means connecting the pins of the jumper with the plastic clip and to OPEN a jumper means removing the plastic clip from a jumper.



The motherboard comes with two jumpers. They are listed below.

- COM3 pin-9 signal select (JP3)
- COM1 and COM2 pin-9 signal select (JP4)
- COM2 Mode Select Jumper Settings (JP5)
- COM2 Mode Select Jumper Settings (JP6)

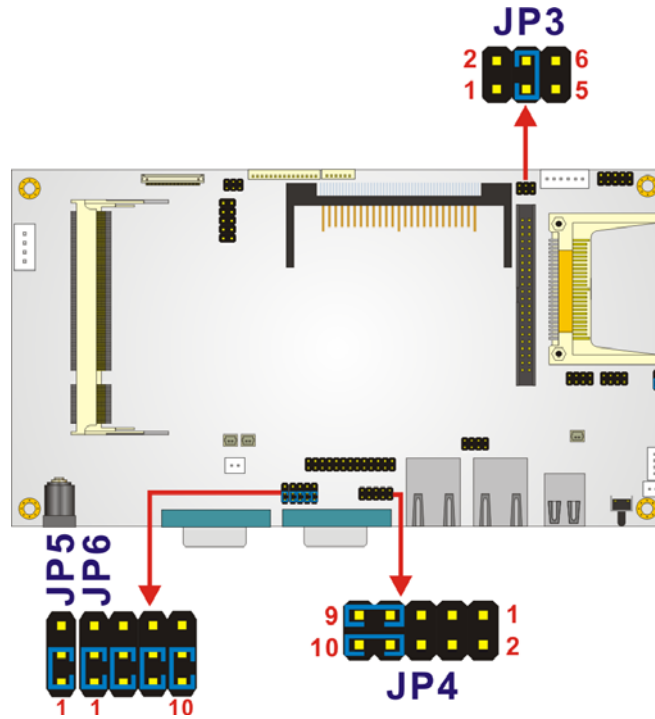


Figure 4-14: Jumper Locations

4.5.1 JP3: COM3 Pin-9 Signal Select Jumper Settings

The COM3 pin-9 signal can be selected as 12V, 5V or Ring.

JP3	Description	
Short 1-2	COM3 pin-9 is 12V output	
Short 3-4	COM3 pin-9 is RI input	Default
Short 5-6	COM3 pin-9 is 5V output	

Table 4-1: COM3 Pin-9 Signal Select Jumper Settings

4.5.2 JP4: COM1 and COM2 Pin-9 Signal Select Jumper Settings

The COM1 and COM2 pin-9 signal can be selected as 12V, 5V or Ring.

JP4	Description	
Short 1, 3	COM1 pin-9 is 12V output	
Short 3, 5	COM1 pin-9 is 5V output	
Short 5, 7	COM1 pin-9 is 5V output	
Short 7, 9	COM1 pin-9 is RI input	Default
Short 2, 4	COM2 pin-9 is 12V output	
Short 4, 6	COM2 pin-9 is 5V output	
Short 6, 8	COM2 pin-9 is 5V output	
Short 8, 10	COM2 pin-9 is RI input	Default

Table 4-2: COM1 and COM2 Pin-9 Signal Select Jumper Settings

4.5.3 JP5: COM2 Mode Select Jumper Settings

The COM2 can be selected as RS-232 or RS-485.

JP5	Description	
Short 1-2	RS-232	Default
Short 2-3	RS-485	

Table 4-3: COM2 Mode Select Jumper Settings

4.5.4 JP6: COM2 Mode Select Jumper Settings

The COM2 can be selected as RS-232 or RS-485.

JP6	Description	
Short 1-2	RS-232	Default
Short 2-3	RS-485	
Short 4-5	RS-232	Default
Short 5-6	RS-485	
Short 7-8	RS-232	Default
Short 8-9	RS-485	
Short 10-11	RS-232	Default
Short 11-12	RS-485	

Table 4-4: COM2 Mode Select Jumper Settings

4.5.4.1 COM2 RS-422 and RS-485 Pinouts

The pinouts for RS-422 and RS-485 operation of external serial port COM 2 are detailed below.

COM 2	RS-422 Description
Pin 1	TX-
Pin 2	TX+
Pin 6	RX-
Pin 7	RX+

Table 4-5: RS-422 Pinouts

COM 2	RS-485 Description
Pin 1	Data-
Pin 2	Data+

Table 4-6: RS-485 Pinouts

Chapter

5

Award BIOS Setup

5.1 Introduction

A licensed copy of Phoenix Award BIOS is preprogrammed into the ROM BIOS. The BIOS setup program allows users to modify the basic system configuration. This chapter describes how to access the BIOS setup program and the configuration options that may be changed.

5.1.1 Starting Setup

The Phoenix Award BIOS is activated when the computer is turned on. The setup program can be activated in one of two ways.

1. Press the **DELETE** key as soon as the system is turned on or
2. Press the **DELETE** key when the “**Press Del to enter SETUP**” message appears on the screen.

If the message disappears, restart the computer and try again.

5.1.2 Using Setup

Use the arrow keys to highlight items, press **ENTER** to select, use the **PAGEUP** and **PAGEDOWN** keys to change entries, press **F1** for help and press **Esc** to quit. Navigation keys are shown below.

Key	Function
Up arrow	Move to the item above
Down arrow	Move to the item below
Left arrow	Move to the item on the left hand side
Right arrow	Move to the item on the right hand side
+ /Page up	Increase the numeric value or make changes
- /Page down	Decrease the numeric value or make changes
Esc	Main Menu – Quit and do not save changes into CMOS Status Page Setup Menu and Option Page Setup Menu -- Exit current page and return to Main Menu
F1	General help, only for Status Page Setup Menu and Option Page Setup Menu
F2	Item help

AFOLUX LX Series Flat Panel PC

F5	Previous values for the page menu items
F6	Fail-safe defaults for the current page menu items
F7	Optimized defaults for the current page menu items
F9	Menu in BIOS
F10	Save changes and Exit BIOS

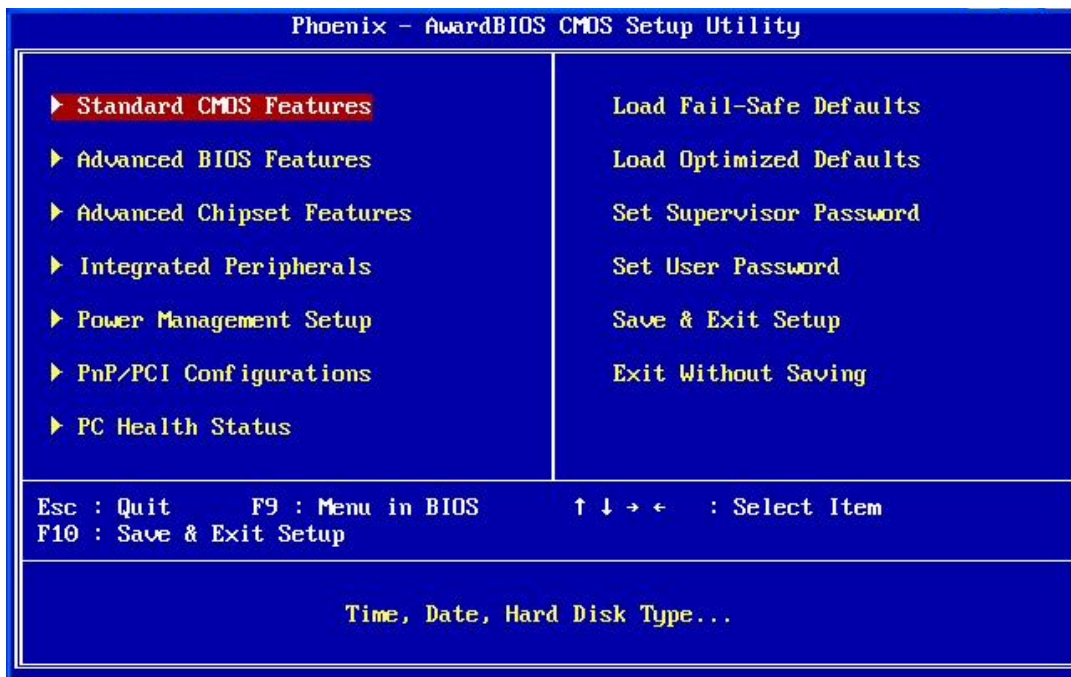
Table 5-1: BIOS Navigation Keys

5.1.3 Getting Help

When **F1** is pressed a small help window describing the appropriate keys to use and the possible selections for the highlighted item appears. To exit the Help Window press **Esc** or the **F1** key again.

5.1.4 Main BIOS Menu

Once the BIOS opens, the main menu (**BIOS Menu 1**) appears.



BIOS Menu 1: Award BIOS CMOS Setup Utility



NOTE:

The following sections will completely describe the menus listed below and the configuration options available to users.

The following menu options are seen in **BIOS Menu 1**.

- **Standard CMOS Features:** Changes the basic system configuration.
- **Advanced BIOS Features:** Changes the advanced system settings.
- **Advanced Chipset Features:** Changes the chipset configuration features.
- **Integrated Peripherals:** Changes the settings for integrated peripherals.
- **Power Management Setup:** Configures power saving options.
- **PnP/PCI Configurations:** Changes the advanced PCI/PnP settings.
- **PC Health Status:** Monitors essential system parameters.

The following user configurable options are also available in **BIOS Menu 1**:

→ **Load Fail-Safe Defaults**

Use the **Load Fail-Safe Defaults** option to load failsafe default values for each BIOS parameter in the setup menus. Press **F6** for this operation on any page.

→ **Load Optimized Defaults**

Use the **Load Optimized Defaults** option to load optimal default values for each BIOS parameter in the setup menus. Press **F7** for this operation on any page.

→ **Set Supervisor Password**

Use the **Set Supervisor Password** option to set the supervisor password. By default, no supervisor password is set. To install a supervisor password, select this field and enter the password. After this option is selected, a red dialogue box appears with “**Enter Password:** ”. Type the password and press **ENTER**. Retype the original password into the “**Confirm Password:** ” dialogue box and press **ENTER**. To disable the password, simply press **ENTER** in the “**Enter Password:** ” dialogue box, then press any key in the “**Password Disabled !!!**” dialogue box.

AFOLUX LX Series Flat Panel PC

→ Set User Password

Use the **Set User Password** option to set the user password. By default no user password is set. To install a user password, select this field and enter the password. After this option is selected, a red dialogue box appears with “**Enter Password:** ”. Type the password and press **ENTER**. Retype the original password into the “**Confirm Password:** ” dialogue box and press **ENTER**. To disable the password, simply press **ENTER** in the “**Enter Password:** ” dialogue box, then press any key in the “**Password Disabled !!!**” dialogue box.

→ Save & Exit Setup

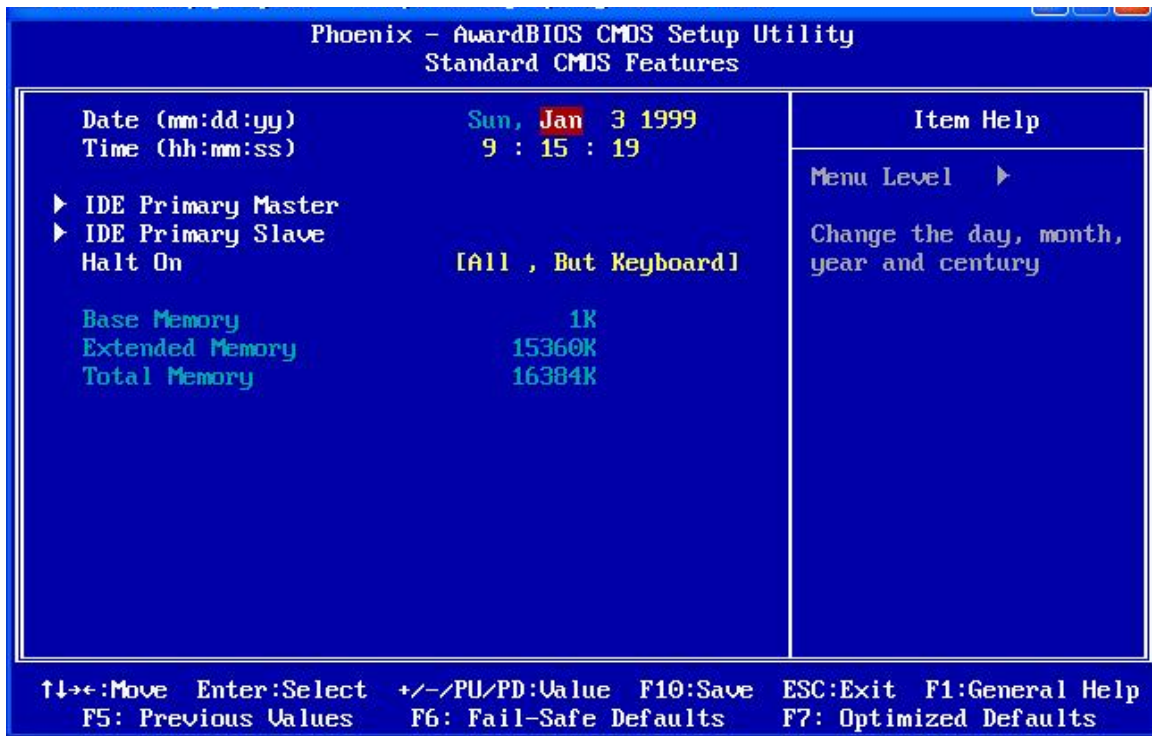
Use the **Save & Exit Setup** option to save any configuration changes made and exit the BIOS menus.

→ Exit Without Saving

Use the **Exit Without Saving** option to exit the BIOS menus without saving any configuration changes.

5.2 Standard CMOS Features

Use the Standard CMOS Features BIOS menu (**BIOS Menu 2**) to set basic BIOS configuration options.



BIOS Menu 2: Standard CMOS Features

→ Date [Day mm:dd:yyyy]

Use the **Date** option to set the system date.

→ Time [hh/mm/ss]

Use the **Time** option to set the system time.

→ IDE Master and IDE Slave

When entering setup, BIOS auto detects the presence of IDE devices. The **Standard CMOS Features** menu shows the status of the auto detected IDE devices. The following IDE devices are detected and shown in the **Standard CMOS Features** menu:

- IDE Primary Master
- IDE Primary Slave

AFOLUX LX Series Flat Panel PC

IDE device configurations are changed or set in the IDE Configuration menu. If an IDE device is detected, and one of the above listed two BIOS configuration options is selected, the IDE configuration options shown in **Section 5.2.1** appear.

→ Halt On [All, But Keyboard]

Use the **Halt On** option to specify what errors detected during the power up process stop the system.

- **All Errors** Whenever BIOS detects a non-fatal error the system is stopped and the user prompted.
- **No Errors** The system boot is not stopped for any errors that may be detected.
- **All, But Keyboard** (Default) The system boot does not stop for a keyboard error; it stops for all other errors.

→ Base Memory:

The **Base Memory** is NOT user configurable. The POST determines the amount of base (or conventional) memory installed in the system. The value of the base memory is typically 512K for systems with 512K memory installed, or 640K for systems with 640K or more memory installed.

→ Extended Memory

The **Extended Memory** is NOT user configurable. The BIOS determines how much extended memory is present during the POST. This is the amount of memory above 1MB located in the memory address map of the CPU.

→ Total Memory

The **Total Memory** is NOT user configurable.

5.2.1 IDE Primary Master/Slave

Use the IDE Primary Master/Slave menu to set or change the master/slave IDE configurations.

→ IDE HDD Auto-Detection [Press Enter]

Use the **IDE HDD Auto-Detection** option to enable BIOS to automatically detect the IDE settings. Select **IDE HDD Auto-Detection** and press **ENTER**. BIOS automatically detects the HDD type. Do not set this option manually.

→ IDE Primary Master [Auto]

Use the **IDE Primary Master** option to activate or deactivate the following drive channels:

- Channel 0 Master
- Channel 0 Slave
- Channel 1 Master
- Channel 1 Slave

→ **None** If no drives are connected to the IDE channel select this option. Once set, this IDE channel becomes inaccessible and any drives attached to it are undetected.

→ **Auto** (Default) Setting this option allows the device to be automatically detected by the BIOS.

→ **Manual** Selecting this option allows manual configuration of the device on the IDE channel in BIOS.

→ Access Mode [Auto]

The **Access Mode** option can only be configured if the BIOS configuration option is set to either **Manual** or **Auto**. Use the **Access Mode** option to determine the hard disk BIOS translation modes. Most systems now use hard drives with large capacities and therefore either the LBA translation mode or auto mode should be selected.

AFOLUX LX Series Flat Panel PC

- ➔ **CHS** Select this mode if the HDD capacity is less than 504MB.
- ➔ **LBA** Select this mode if the HDD capacity is more than 8.4GB.
- ➔ **Large** This mode is an extended ECHS mode and while it supports HDDs larger than 504MB, it is not recommended.
- ➔ **Auto** (Default) If you are unsure of what access mode to set, select this option.

➔ **Capacity**

The **Capacity** specification indicates the storage capacity of the HDD installed in the system.

➔ **Cylinder**

The **Cylinder** specification indicates how many cylinders (tracks) are on the HDD installed in the system.

➔ **Head**

The **Head** specification indicates how many logical heads are on the HDD installed in the system.

➔ **Precomp**

The **Precomp** specification indicates on what track the write precompensation begins.

➔ **Landing Zone**

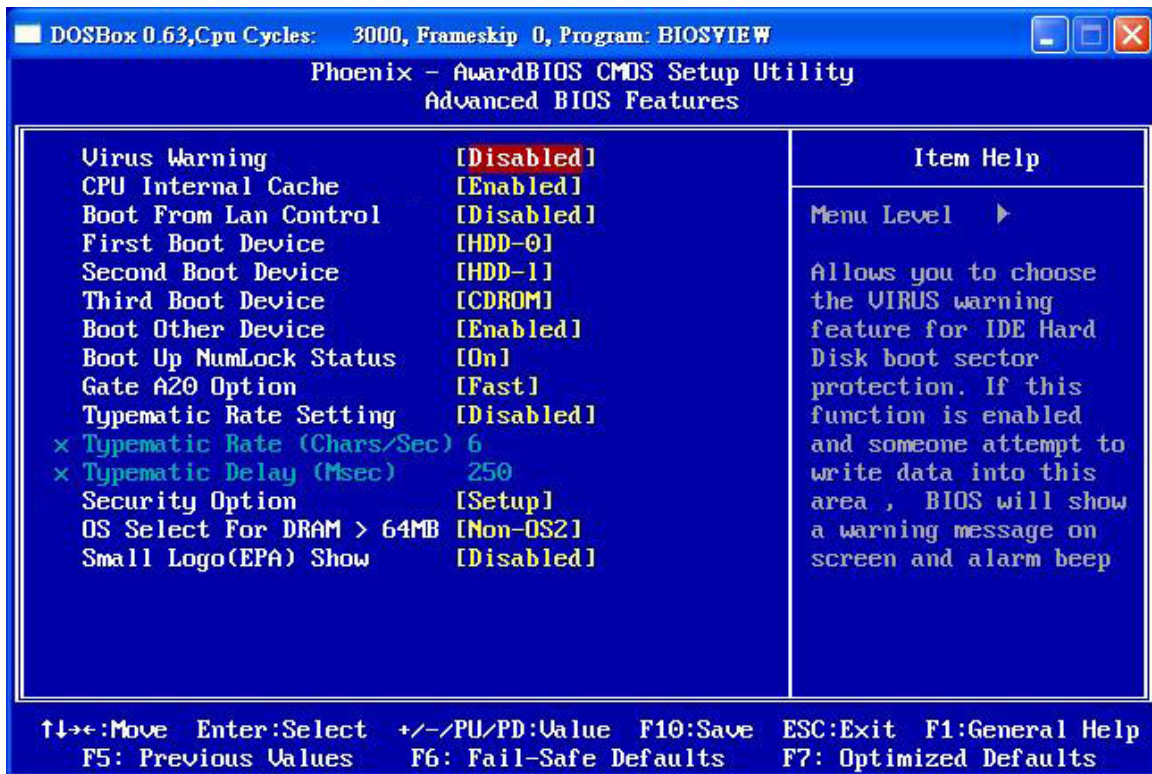
The **Landing Zone** specification indicates where the disk head will park itself after the system powers off.

→ **Sector**

The **Sector** specification indicates how many logical sectors the HDD has been divided into.

5.3 Advanced BIOS Features

Use the **Advanced BIOS Features** menu (**BIOS Menu 3**) to configure the CPU and peripheral device configuration options.



BIOS Menu 3: Advanced BIOS Features

→ **Virus Warning [Disabled]**



NOTE:

Many disk diagnostic programs can cause the above warning message to

AFOLUX LX Series Flat Panel PC

appear when the program attempts to access the boot sector table. If you are running such a program, it is recommended that the virus protection function be disabled beforehand.

Use the **Virus Warning** option to enable BIOS to monitor the boot sector and partition table of the HDD for any attempted modification. If a modification attempt is made, the BIOS halts the system and an error message appears. If necessary, an anti-virus program can then be run to locate and remove the virus before any damage is done.

- ➔ **Enabled** Activates automatically when the system boots up causing a warning message to appear when anything attempts to access the boot sector or HDD partition table.
- ➔ **Disabled** (Default) No warning message appears when there is an attempt to access the boot sector or HDD partition table.

➔ **CPU Internal Cache [Enabled]**

Use the **CPU Internal Cache** option to enable or disable the internal CPU cache.

- ➔ **Disabled** The internal CPU cache is disabled.
- ➔ **Enabled** (Default) The internal CPU cache is enabled.

➔ **Boot From LAN Control [Disabled]**

Use the **BOOT From LAN Control** option to enable the system to be booted from a remote system.

- ➔ **Disabled** (Default) The system cannot be booted from a remote system through the LAN.
- ➔ **Enabled** The system can be booted from a remote system through the LAN.

→ Boot Device

Use the **Boot Device** options to select the order of the devices the system boots from.

There are three boot device configuration options:

- **First Boot Device** [Default: HDD-0]
- **Second Boot Device** [Default: HDD-1]
- **Third Boot Device** [Default: CDROM]

Using the default values, the system first looks for the first HDD to boot from. If it cannot find the first HDD, it boots from a second HDD. If both the HDD are unavailable, the system boots from a CD-ROM.

Boot Device configuration options are:

- LS120
- HDD-0
- SCSI
- CDROM
- HDD-1
- USB-FDD
- USB-ZIP
- USB-CDROM
- USB-HDD
- LAN
- Disabled

→ Boot Other Device [Enabled]

Use the **Boot Other Device** option to determine whether the system uses a second or third boot device if the first boot device is not found.

→ Disabled

The system does not look for second and third boot devices if the first one is not found.

AFOLUX LX Series Flat Panel PC

- **Enabled** (Default) The system looks for second and third boot devices if the first one is not found.

→ **Boot Up Numlock Status [On]**

Use the **Boot Up Numlock Status** option to specify the default state of the numeric keypad.

- **Off** The keys on the keypad are not activated.
- **On** (Default) Activates the keys on the keypad.

→ **Gate A20 Option [Fast]**

Use the **Gate A20 Option** to set if the keyboard controller or the chipset controls the Gate A20 switching.

- **Normal** The keyboard controller does the switching.
- **Fast** (Default) The chipset does the switching.

→ **Typematic Rate Setting [Disabled]**

Use the **Typematic Rate Setting** configuration option to specify if only one character is allowed to appear on the screen if a key is continuously held down. When this option is enabled, the BIOS reports as before, but it then waits a moment, and, if the key is still held down, it begins to report that the key has been pressed repeatedly. This feature accelerates cursor movement with the arrow keys.

- **Disabled** (Default) Disables the typematic rate.
- **Enabled** Enables the typematic rate.

→ **Typematic Rate (Chars/sec) [6]**

The **Typematic Rate** option can only be configured if the **Typematic Rate Setting** is enabled. Use the **Typematic Rate** option to specify the rate keys are accelerated.

- **6** (Default) 6 characters per second

- 8 8 characters per second
- 10 10 characters per second
- 12 12 characters per second
- 15 15 characters per second
- 20 20 characters per second
- 24 24 characters per second
- 30 30 characters per second

→ **Typematic Delay (Msec) [250]**

The **Typematic Rate** option can only be configured if the **Typematic Rate Setting** is enabled. Use the **Typematic Delay** option to specify the delay time between when a key is first pressed and when the acceleration begins.

- 250 (Default) 250 milliseconds
- 500 500 milliseconds
- 750 750 milliseconds
- 1000 1000 milliseconds

→ **Security Option [Setup]**

Use the **Security Option** to limit access to both the system and Setup, or just Setup.

- **Setup** (Default) The system does not boot and access to Setup is denied if the correct password is not entered at the prompt.
- **System** The system boots, but access to Setup is denied if the correct password is not entered at the prompt.



NOTE:

To disable security, select the password setting in the Main Menu. When

AFOLUX LX Series Flat Panel PC

asked to enter a password, don't type anything, press **ENTER** and the security is disabled. Once the security is disabled, the system boots and Setup can be accessed.

→ **OS Select For DRAM > 64MB [Non-OS2]**

Use the **OS Select For DRAM > 64MB** option to specify the operating system.

- **Non-OS2** (Default) Select this option when not using the OS/2 operating system.
- **OS2** Specifies the operating system used as OS/2.

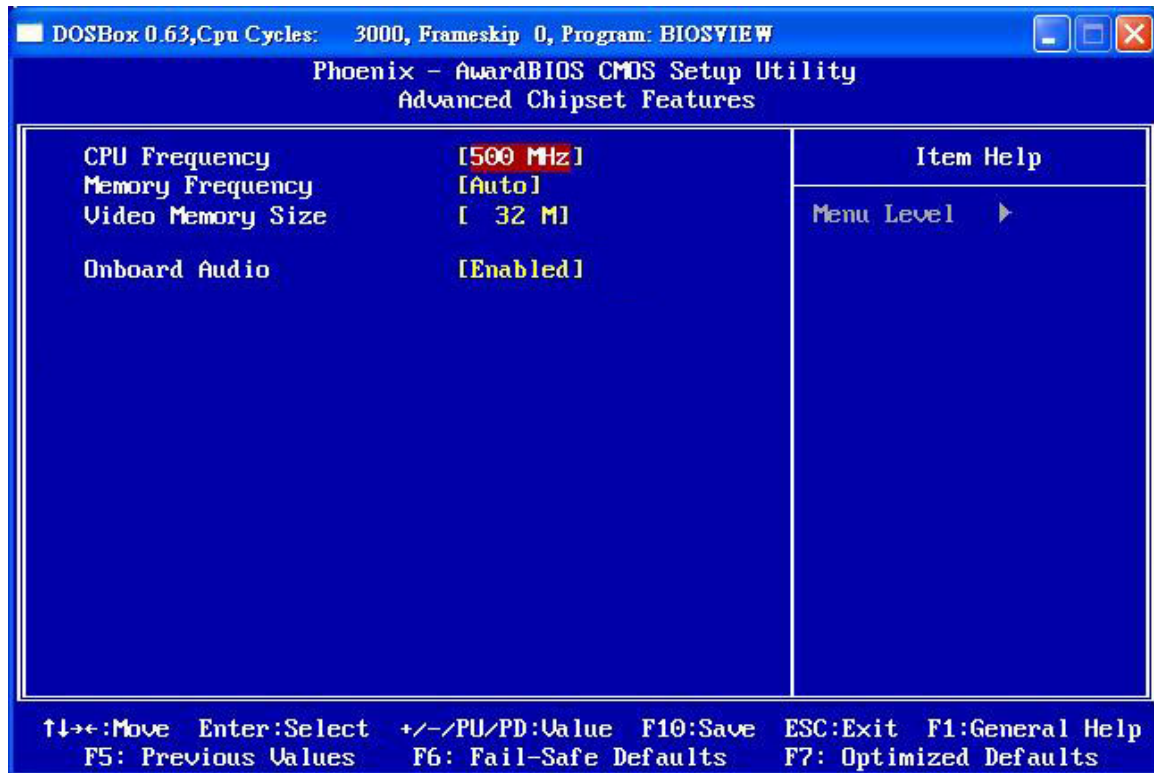
→ **Small Logo (EPA) Show [Disabled]**

Use the **Small Logo (EPA) Show** option to specify if the Environmental Protection Agency (EPA) logo appears during the system boot-up process. If enabled, the boot up process may be delayed.

- **Disabled** (Default) EPA logo does not appear during boot up.
- **Enabled** EPA logo appears during boot up.

5.4 Advanced Chipset Features

Use the Advanced Chipset Features menu (**BIOS Menu 4**) to change chipset configuration options.



BIOS Menu 4: Advanced Chipset Features

→ CPU Frequency [500MHz]

Use the **CPU Frequency** option to set the CPU frequency. The **CPU Frequency** options are:

- Auto
- 200MHz
- 333MHz
- 400MHz
- 433MHz
- 500MHz (Default)

→ Memory Frequency [Auto]

Use the **Memory Frequency** option to set the frequency of the installed DRAM modules. The **Memory Frequency** options are:

AFOLUX LX Series Flat Panel PC

- Auto (Default)
- 100MHz
- 133MHz
- 166MHz
- 200MHz

→ Video Memory Size [32M]

Use the **Video Memory Size** option to determine how much memory is allocated to the video graphics device. The **Video Memory Size** options are:

- None
- 8M
- 16M
- 32M (Default)
- 64M
- 128M
- 254M

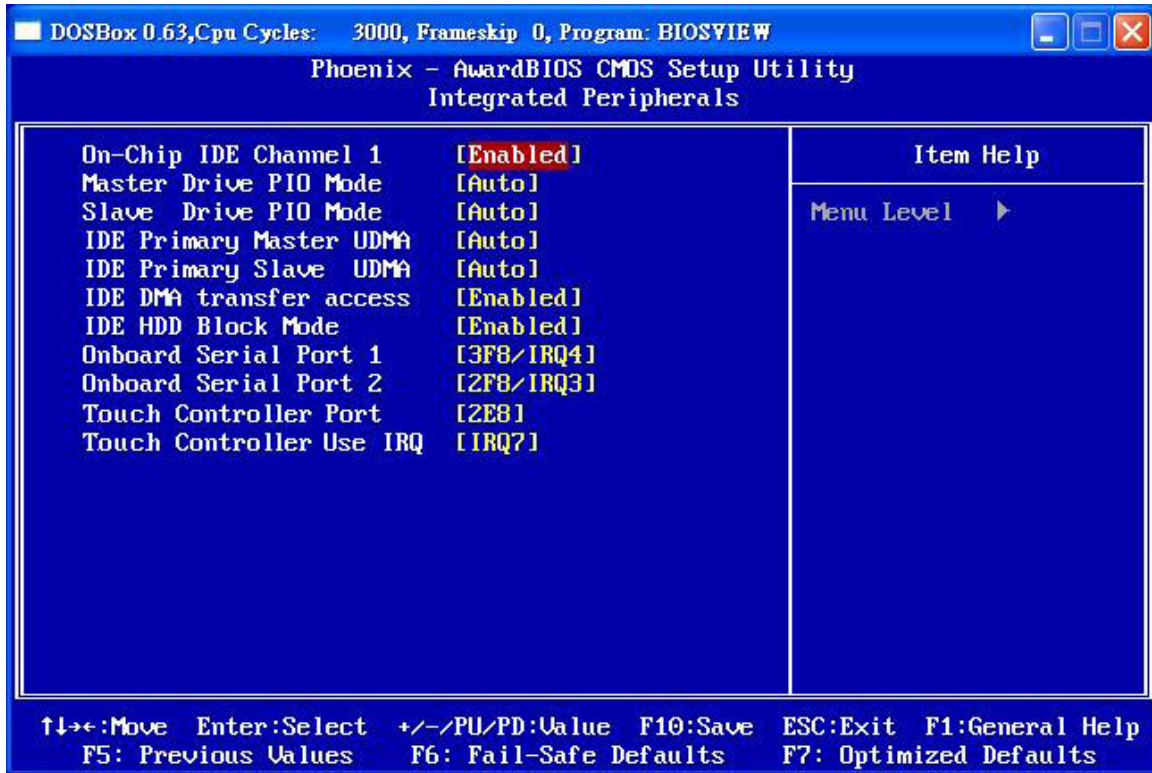
→ OnBoard Audio [Enabled]

Use the **OnBoard Audio** option to enable or disable the onboard codec.

- **Disabled** The onboard codec is disabled.
- **Enabled** (Default) The onboard codec is detected and enabled.

5.5 Integrated Peripherals

Use the Integrated Peripherals menu (**BIOS Menu 5**) to change the configuration options for the attached peripheral devices.



BIOS Menu 5: Integrated Peripherals

→ On-Chip IDE Channel 1 [Enabled]

Use the **On-Chip IDE Channel 1** option to specify if the system uses the integrated primary IDE channel or not.

- **Disabled** The primary IDE channel is not used.
- **Enabled** (Default) The primary IDE channel is used.

→ Drive PIO Mode [Auto]

Use the **Drive PIO Mode** options below to select the Programmed Input/Output (PIO) mode for the following HDDs:

AFOLUX LX Series Flat Panel PC

- Master Drive PIO Mode
- Slave Drive PIO Mode

- ➔ **Auto** (Default) The computer selects the correct mode.
- ➔ **Mode 0** PIO mode 0 selected with a maximum transfer rate of 3.3MBps.
- ➔ **Mode 1** PIO mode 1 selected with a maximum transfer rate of 5.2MBps.
- ➔ **Mode 2** PIO mode 2 selected with a maximum transfer rate of 8.3MBps.
- ➔ **Mode 3** PIO mode 3 selected with a maximum transfer rate of 11.1MBps.
- ➔ **Mode 4** PIO mode 4 selected with a maximum transfer rate of 16.6MBps.

➔ IDE UDMA [Auto]

Use the **IDE UDMA** option below to select the Ultra DMA (UDMA) mode for the following HDDs:

- IDE Primary Master UDMA
- IDE Primary Slave UDMA

- ➔ **Disabled** The UDMA for the HDD device is disabled.
- ➔ **Auto** (Default) The computer selects the correct UDMA.

➔ IDE DMA transfer access [Enabled]

Use the **IDE DMA transfer access** option to enable or disable DMA support for IDE devices connected to the system.

- ➔ **Disabled** All IDE drive DMA transfers are disabled. The IDE drives use PIO mode transfers.
- ➔ **Enabled** (Default) All IDE drive DMA transfers are enabled.

➔ IDE HDD Block Mode [Enabled]

If the drive connected to the system supports block mode, use the **IDE HDD Block Mode** option to enable the system to detect the optimal number of block read/writes per sector

the system IDE drive can support. Block mode is also called block transfer, multiple commands, or multiple sector read/write.

- **Disabled** Block mode is not supported.
- **Enabled** (Default) Block mode is supported.

→ **Onboard Serial Port 1 [3F8/IRQ4]**

Use the **Onboard Serial Port 1** option to select the I/O address and IRQ for the onboard serial port 1. The serial port can be disabled or the I/O address and the IRQ can be automatically selected by the BIOS. The **Onboard Serial Port 1** options are:

- Disabled
- 3F8/IRQ4 (Default)
- 2F8/IRQ3
- 3E8/IRQ4
- 2E8/IRQ3
- Auto

→ **Onboard Serial Port 2 [2F8/IRQ3]**

Use the **Onboard Serial Port 2** option to select the I/O address and IRQ for the onboard serial port 2. The serial port can be disabled or the I/O address and the IRQ can be automatically selected by the BIOS. The **Onboard Serial Port 2** options are:

- Disabled
- 3F8/IRQ4
- 2F8/IRQ3 (Default)
- 3E8/IRQ4
- 2E8/IRQ3
- Auto

→ **Touch controller Port [2E8]**

Use the **Touch controller Port** option to select the I/O address for the onboard touch panel controller port. The touch panel controller port can be disabled or the I/O address can be automatically selected by the BIOS. The **Touch controller Port** options are:

AFOLUX LX Series Flat Panel PC

- Disabled
- 3F8
- 2F8
- 3E8
- 2E8 (Default)

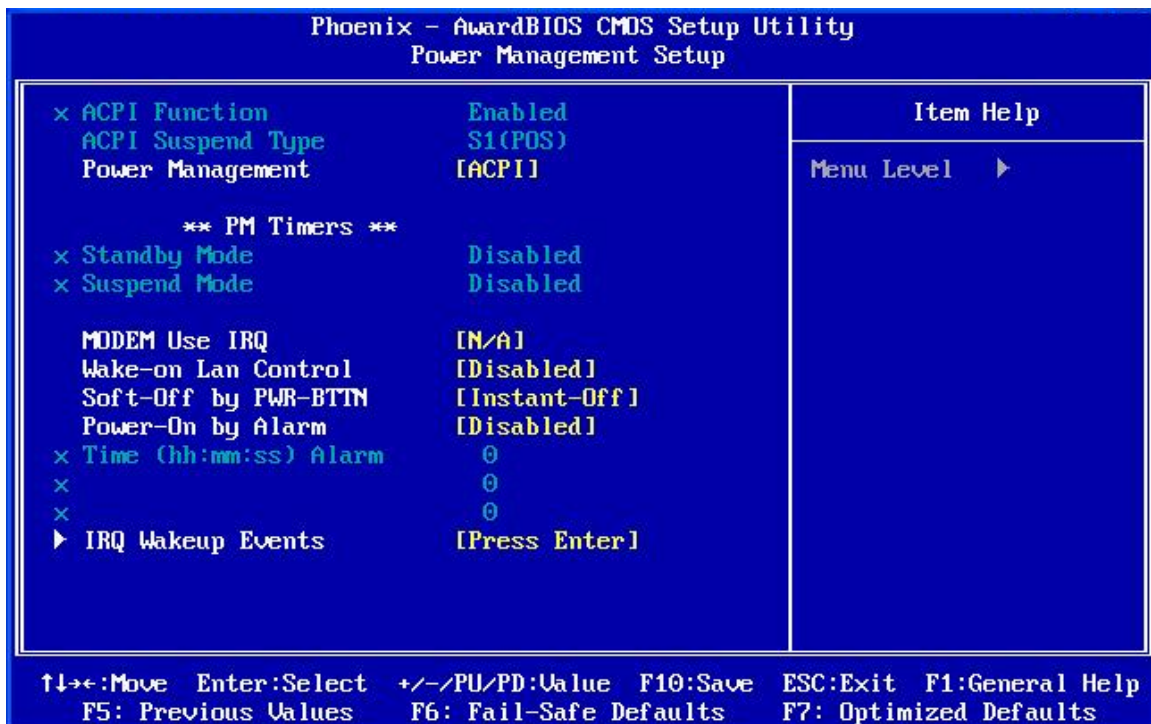
→ Touch controller Use IRQ [IRQ7]

Use the **Touch controller Use IRQ** option to select the IRQ for the onboard touch panel controller port. The touch panel controller port can be disabled or the IRQ can be automatically selected by the BIOS. The **Touch controller Use IRQ** options are:

- IRQ5
- IRQ7 (Default)

5.6 Power Management Setup

Use the **Power Management Setup** menu (**BIOS Menu 6**) to set the BIOS power management and saving features.



BIOS Menu 6: Power Management Setup**→ ACPI Function [Enabled]**

Use the **ACPI Function** to enable the ACPI (Advanced Configuration and Power Interface) function.

Disabled		ACPI function disabled.
Enabled	(Default)	ACPI function enabled.

AFOLUX LX Series Flat Panel PC

→ ACPI Suspend Type [S1(POS)]

Use the **ACPI Suspend Type** BIOS option to specify the sleep state the system enters when not being used.

- **S1 (POS)** (Default) System appears off. The CPU is stopped; RAM is refreshed; the system is running in a low power mode.
- **S3 (STR)** System appears off. The CPU has no power; RAM is in slow refresh; the power supply is in a reduced power mode.
- **S1 & S3** Both suspend modes are implemented

→ Power Management [ACPI]

Use the **Power Management** option to set the power management type used by the system.

- **Disabled** All power management options are turned off. The only user configurable options are the power button and alarm settings.
- **Legacy** Standby and suspend modes can be set.
- **APM** Advanced power management (APM) is activated
- **ACPI** (Default) Advanced Configuration and Power Interface (ACPI) is activated.

→ x Standby Mode [Disabled]

The **Standby Mode** option can only be selected if the **Power Management** option is set to Legacy. The **Standby Mode** specifies the amount of time the system can be inactive before the system enters standby mode. The **Standby Mode** options are:

- Disabled (Default)
- 1 Sec
- 5 Sec

- 10 Sec
- 15 Sec
- 30 Sec
- 45 Sec
- 1 Min
- 5 Min
- 10 Min
- 15 Min
- 30 Min
- 45 Min
- 60 Min
- 90 Min
- 120 Min

→ **x Suspend Mode [Disabled]**

The **Suspend Mode** option can only be selected if the **Power Management** option is set to Legacy. The **Suspend Mode** specifies the amount of time the system can be inactive before the system enters suspend mode. The **Suspend Mode** options are:

- Disabled (Default)
- 1 Sec
- 5 Sec
- 10 Sec
- 15 Sec
- 30 Sec
- 45 Sec
- 1 Min
- 5 Min
- 10 Min
- 15 Min
- 30 Min
- 45 Min
- 60 Min
- 90 Min
- 120 Min

AFOLUX LX Series Flat Panel PC

→ Modem Use of IRQ

Use the **Modem Use of IRQ** to select the IRQ address for the system modem. The following IRQ addresses are available.

- N/A
- 3 (Default)
- 4
- 5
- 7
- 9
- 10
- 11

→ Wake-on Lan Control [Disabled]

Use the **Wake-on Lan Control** option to enable activity on the LAN to rouse the system from a suspend or doze state.

- **Disabled** (Default) Wake event not generated by LAN activity.
- **Enabled** Wake event generated by LAN activity.

→ Soft-Off by PWR-BTTN [Instant-Off]

Use the **Soft-Off by PWR-BTTN** option to enabled the system to enter a very low-power-usage state when the power button is pressed.

- **Instant-Off** (Default) When the power button is pressed, the system is immediately shutdown.
- **Delay 4-sec** To shutdown the system the power button must be held down longer than four seconds otherwise the system enters a low power usage state.

→ Power-On by Alarm [Disabled]

Use the **Power-On by Alarm** option to specify when the computer is roused from a suspended state.

➔ **Disabled** (Default) The real time clock (RTC) cannot generate a wake event

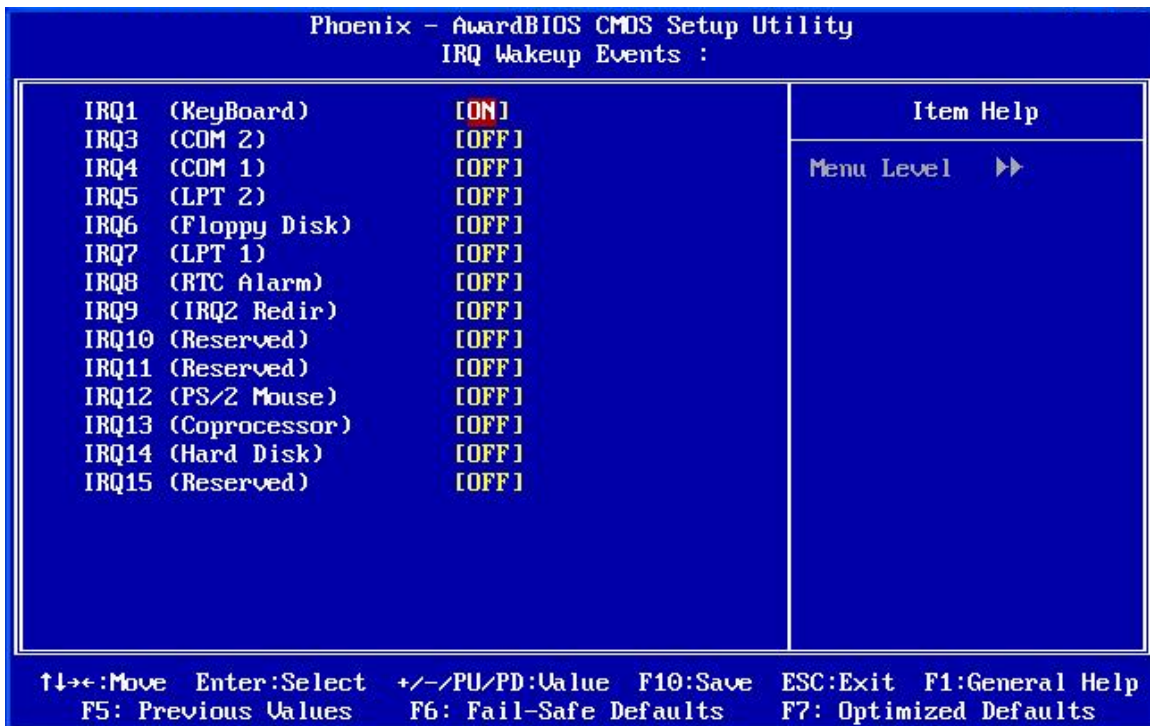
➔ **Enabled** If selected, the following appears with values that can be selected:

➔ **Time (hh:mm:ss) Alarm**

After setting the alarm, the computer will turn itself on from a suspend state when the alarm goes off.

➔ **IRQ Wakeup Events [Press Enter]**

To view the **IRQ Wakeup Events** options press **ENTER**.



BIOS Menu 7: IRQ Wakeup Events

The following IRQs can be used to generate wake events:

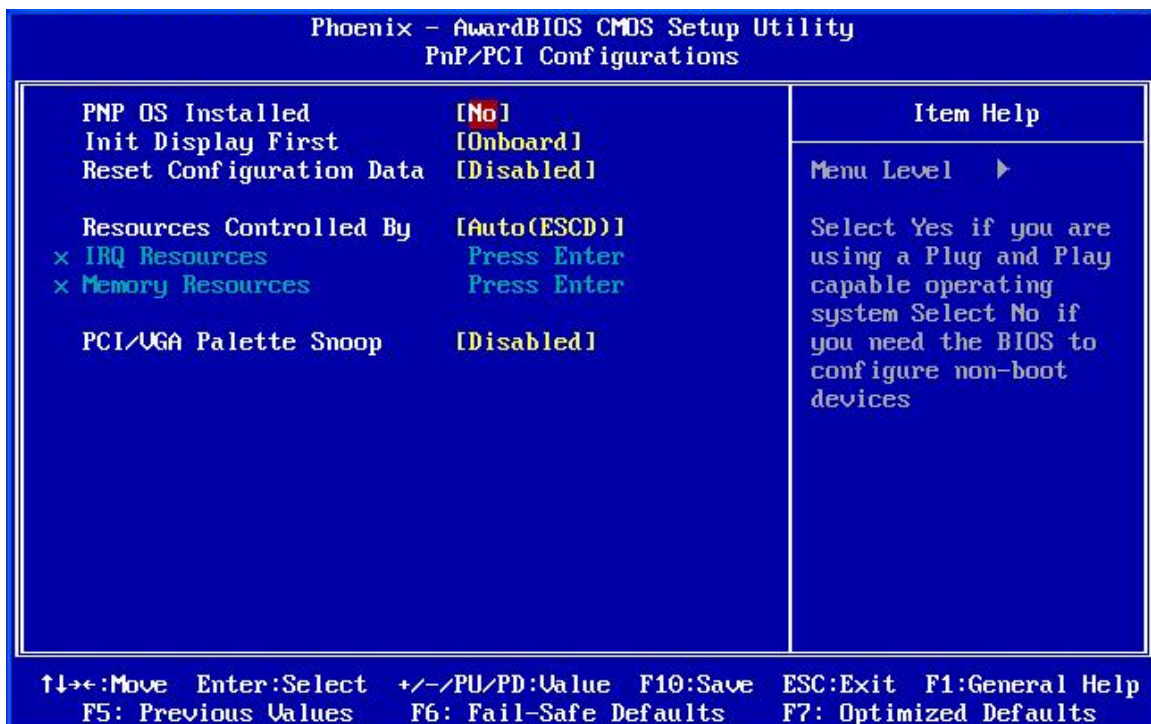
- IRQ1 (KeyBoard) ON
- IRQ3 (COM 2) OFF

AFOLUX LX Series Flat Panel PC

▪ IRQ4	(COM 1)	OFF
▪ IRQ5	(LPT 2)	OFF
▪ IRQ6	(Floppy Disk)	OFF
▪ IRQ7	(LPT 1)	OFF
▪ IRQ8	(RTC Alarm)	OFF
▪ IRQ9	(IRQ2 Redir)	OFF
▪ IRQ10	(Reserved)	OFF
▪ IRQ11	(Reserved)	OFF
▪ IRQ12	(PS/2 Mouse)	OFF
▪ IRQ13	(Coprocesor)	OFF
▪ IRQ14	(Hard Disk)	OFF
▪ IRQ15	(Reserved)	OFF

5.7 PnP/PCI Configurations

Use the PnP/PCI Configurations menu (**BIOS Menu 8**) to set the plug and play, and PCI options.



BIOS Menu 8: PnP/PCI Configurations

→ PNP OS Installed [No]

The **PNP OS Installed** option determines whether the Plug and Play devices connected to the system are configured by the operating system or the BIOS.

- No** (Default) If the operating system does not meet the Plug and Play specifications, BIOS configures all the devices in the system.
- Yes** Set this option if the system is running Plug and Play aware operating systems. The operating system changes the interrupt, I/O, and DMA settings.

→ Init Display First [Onboard]

Use the **Init Display First** option to select the primary display device.

- PCI Slot** The display connected to the PCI slot is the primary display.
- Onboard** (Default) The display connected to the onboard connector is the primary display.

→ Reset Configuration Data [Disabled]

Use the **Reset Configuration Data** option to reset the Extended System Configuration Data (ESCD) when exiting setup if booting problems occur after a new add-on is installed.

- Disabled** (Default) ESCD will not be reconfigured
- Enabled** ESCD will be reconfigured after you exit setup

→ Resources Controlled By [Auto (ESCD)]

Use the **Resources Controlled By** option to either manually configure all the boot and plug and play devices, or allow BIOS to configure these devices automatically. If BIOS is allowed to configure the devices automatically IRQs, DMA and memory base address fields cannot be set manually.

- Auto(ESCD)** (Default) BIOS automatically configures plug and play devices as

AFOLUX LX Series Flat Panel PC

well as boot devices.

→ **Manual**

Manually configure the plug and play devices and any other boot devices.

→ **x IRQ Resources [Press Enter]**

The **IRQ Resources** option can only be selected if the Resources Controlled By option is set to Manual.

The **IRQ Resources** menu has the following options:

- IRQ-3 assigned to
- IRQ-4 assigned to
- IRQ-10 assigned to
- IRQ-11 assigned to

The above options all have the following default options.

→ **PCI Device** (Default)

The IRQ is assigned to legacy ISA for devices compliant with the original PC AT bus specification, PCI/ISA PNP for devices compliant with the Plug and Play standard whether designed for PCI or ISA bus architecture.

→ **Reserved**

The IRQ is reserved by BIOS.

→ **x Memory Resources [Press Enter]**

The **Memory Resources** menu can only be accessed if the Resources Controlled By option is set to Manual. Use **Memory Resources** to select a base address and the length for the memory area used by a peripheral that requires high memory.

The menu has two configurable options:

- Reserved Memory Base
- Reserved Memory Length

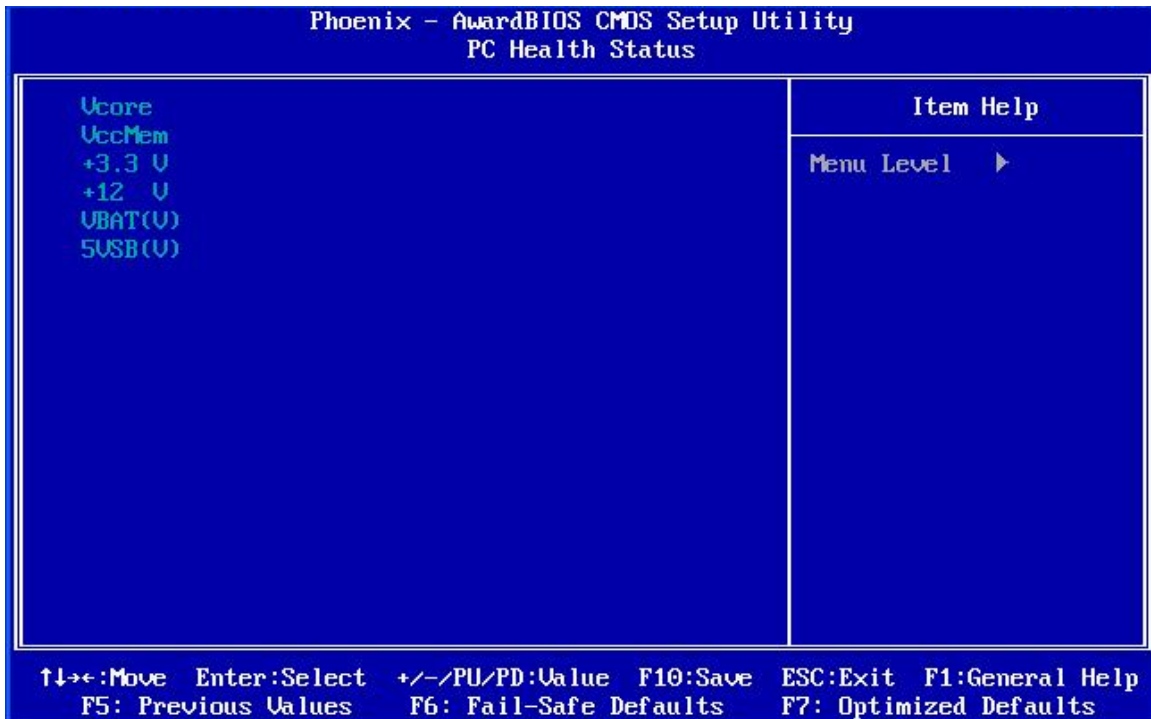
→ PCI/VGA Palette Snoop [Disabled]

Use the **PCI/VGA Palette Snoop** option to enable the system to determine whether or not some special VGA cards, high-end hardware MPEG decoders and other similar devices are allowed to look at the VGA palette on the video card so these devices can determine what colors are in use. This option is needed *very rarely* and should be left "Disabled" unless a video device specifically requires the setting to be enabled upon installation.

- **Disabled** (Default) Does not allow the graphics devices to examine the VGA palette on the graphics card.
- **Enabled** Allows the graphics devices to examine the VGA palette on the graphics card.

5.8 PC Health Status

The **PC Health Status** menu (**BIOS Menu 9**) has no user configurable options, but shows system operating parameters that are essential to the stable operation of the system.


BIOS Menu 9: PC Health Status

The following system parameters are monitored by the **PC Health Status** menu.

AFOLUX LX Series Flat Panel PC

→ Voltages

The following voltages are monitored:

- Vcore
- VccMem
- +3.3 V
- +12 V
- VBAT(V)
- 5VSB(V)



Appendix

A

Safety Precautions

**WARNING:**

The precautions outlined in this chapter should be strictly followed. Failure to follow these precautions may result in permanent damage to the AFOLUX LX series.

A.1 Safety Precautions

Please follow the safety precautions outlined in the sections that follow:

A.1.1 General Safety Precautions

Please ensure the following safety precautions are adhered to at all times.

- **Follow the electrostatic precautions** outlined below whenever the AFOLUX LX series is opened.
- **Make sure the power is turned off and the power cord is disconnected** whenever the AFOLUX LX series is being installed, moved or modified.
- **Do not apply voltage levels that exceed the specified voltage range.** Doing so may cause fire and/or an electrical shock.
- **Electric shocks can occur** if the AFOLUX LX series chassis is opened when the AFOLUX LX series is running.
- **Do not drop or insert any objects** into the ventilation openings of the AFOLUX LX series.
- **If considerable amounts of dust, water, or fluids enter the AFOLUX LX series**, turn off the power supply immediately, unplug the power cord, and contact the AFOLUX LX series vendor.
- **DO NOT:**
 - Drop the AFOLUX LX series against a hard surface.
 - Strike or exert excessive force onto the LCD panel.
 - Touch any of the LCD panels with a sharp object
 - In a site where the ambient temperature exceeds the rated temperature

A.1.2 Anti-static Precautions



WARNING:

Failure to take ESD precautions during the installation of the AFOLUX LX series may result in permanent damage to the AFOLUX LX series and severe injury to the user.

Electrostatic discharge (ESD) can cause serious damage to electronic components, including the AFOLUX LX series. Dry climates are especially susceptible to ESD. It is therefore critical that whenever the AFOLUX LX series is opened and any of the electrical components are handled, the following anti-static precautions are strictly adhered to.

- ***Wear an anti-static wristband:*** Wearing a simple anti-static wristband can help to prevent ESD from damaging any electrical component.
- ***Self-grounding:*** Before handling any electrical component, touch any grounded conducting material. During the time the electrical component is handled, frequently touch any conducting materials that are connected to the ground.
- ***Use an anti-static pad:*** When configuring or working with an electrical component, place it on an anti-static pad. This reduces the possibility of ESD damage.
- ***Only handle the edges of the electrical component:*** When handling the electrical component, hold the electrical component by its edges.

AFOLUX LX Series Flat Panel PC

A.1.3 Product Disposal

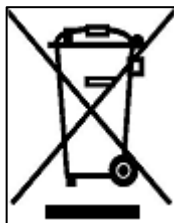


CAUTION:

Risk of explosion if battery is replaced by and incorrect type. Only certified engineers should replace the on-board battery.

Dispose of used batteries according to instructions and local regulations.

- Outside the European Union - If you wish to dispose of used electrical and electronic products outside the European Union, please contact your local authority so as to comply with the correct disposal method.
- Within the European Union:



EU-wide legislation, as implemented in each Member State, requires that waste electrical and electronic products carrying the mark (left) must be disposed of separately from normal household waste. This includes monitors and electrical accessories, such as signal cables or power cords.

When you need to dispose of your display products, please follow the guidance of your local authority, or ask the shop where you purchased the product. The mark on electrical and electronic products only applies to the current European Union Member States.

Please follow the national guidelines for electrical and electronic product disposal.

A.2 Maintenance and Cleaning Precautions

When maintaining or cleaning the AFOLUX LX series, please follow the guidelines below.

A.2.1 Maintenance and Cleaning

Prior to cleaning any part or component of the AFOLUX LX series, please read the details below.

- Except for the LCD panel, never spray or squirt liquids directly onto any other components. To clean the LCD panel, gently wipe it with a piece of soft dry cloth or a slightly moistened cloth.
- The interior of the AFOLUX LX series does not require cleaning. Keep fluids away from the AFOLUX LX series interior.
- Be cautious of all small removable components when vacuuming the AFOLUX LX series.
- Turn the AFOLUX LX series off before cleaning the AFOLUX LX series.
- Never drop any objects or liquids through the openings of the AFOLUX LX series.
- Be cautious of any possible allergic reactions to solvents or chemicals used when cleaning the AFOLUX LX series.
- Avoid eating, drinking and smoking within vicinity of the AFOLUX LX series.

A.2.2 Cleaning Tools

Some components in the AFOLUX LX series may only be cleaned using a product specifically designed for the purpose. In such case, the product will be explicitly mentioned in the cleaning tips. Below is a list of items to use when cleaning the AFOLUX LX series.

- **Cloth** – Although paper towels or tissues can be used, a soft, clean piece of cloth is recommended when cleaning the AFOLUX LX series.
- **Water or rubbing alcohol** – A cloth moistened with water or rubbing alcohol can be used to clean the AFOLUX LX series.
- **Using solvents** – The use of solvents is not recommended when cleaning the AFOLUX LX series as they may damage the plastic parts.
- **Vacuum cleaner** – Using a vacuum specifically designed for computers is one of the best methods of cleaning the AFOLUX LX series. Dust and dirt can restrict the airflow in the AFOLUX LX series and cause its circuitry to corrode.
- **Cotton swabs** - Cotton swabs moistened with rubbing alcohol or water are excellent tools for wiping hard to reach areas.
- **Foam swabs** - Whenever possible, it is best to use lint free swabs such as foam swabs for cleaning.

Appendix

B

BIOS Configuration Options

B.1 BIOS Configuration Options

Below is a list of BIOS configuration options described in **Chapter 5**.

BIOS Menu 1: Award BIOS CMOS Setup Utility	71
Load Fail-Safe Defaults	72
Load Optimized Defaults.....	72
Set Supervisor Password.....	72
Set User Password	73
Save & Exit Setup	73
Exit Without Saving	73
BIOS Menu 2: Standard CMOS Features	74
Date [Day mm:dd:yyyy]	74
Time [hh/mm/ss]	74
IDE Master and IDE Slave.....	74
Halt On [All, But Keyboard].....	75
Base Memory:	75
Extended Memory	75
Total Memory	75
IDE HDD Auto-Detection [Press Enter].....	76
IDE Primary Master [Auto]	76
Access Mode [Auto]	76
Capacity	77
Cylinder.....	77
Head	77
Precomp.....	77
Landing Zone	77
Sector	78
BIOS Menu 3: Advanced BIOS Features	78
Virus Warning [Disabled]	78
CPU Internal Cache [Enabled]	79
Boot From LAN Control [Disabled]	79
Boot Device	80
Boot Other Device [Enabled]	80
Boot Up Numlock Status [On]	81

AFOLUX LX Series Flat Panel PC

Gate A20 Option [Fast]	81
Typematic Rate Setting [Disabled].....	81
Typematic Rate (Chars/sec) [6]	81
Typematic Delay (Msec) [250].....	82
Security Option [Setup].....	82
OS Select For DRAM > 64MB [Non-OS2]	83
Small Logo (EPA) Show [Disabled].....	83
BIOS Menu 4: Advanced Chipset Features.....	84
CPU Frequency [500MHz]	84
Memory Frequency [Auto]	84
Video Memory Size [32M].....	85
OnBoard Audio [Enabled]	85
BIOS Menu 5: Integrated Peripherals	86
On-Chip IDE Channel 1 [Enabled]	86
Drive PIO Mode [Auto].....	86
IDE UDMA [Auto].....	87
IDE DMA transfer access [Enabled].....	87
IDE HDD Block Mode [Enabled]	87
Onboard Serial Port 1 [3F8/IRQ4].....	88
Onboard Serial Port 2 [2F8/IRQ3].....	88
Touch controller Port [2E8].....	88
Touch controller Use IRQ [IRQ7].....	89
BIOS Menu 6: Power Management Setup	90
ACPI Function [Enabled].....	90
ACPI Suspend Type [S1(POS)].....	91
Power Management [ACPI]	91
x Standby Mode [Disabled]	91
x Suspend Mode [Disabled]	92
Modem Use of IRQ	93
Wake-on Lan Control [Disabled]	93
Soft-Off by PWR-BTTN [Instant-Off]	93
Power-On by Alarm [Disabled].....	93
Time (hh:mm:ss) Alarm.....	94
IRQ Wakeup Events [Press Enter]	94
BIOS Menu 7: IRQ Wakeup Events	94

BIOS Menu 8: PnP/PCI Configurations	95
PNP OS Installed [No].....	96
Init Display First [Onboard].....	96
Reset Configuration Data [Disabled]	96
Resources Controlled By [Auto (ESCD)].....	96
x IRQ Resources [Press Enter].....	97
x Memory Resources [Press Enter]	97
PCI/VGA Palette Snoop [Disabled].....	98
BIOS Menu 9: PC Health Status	98
Voltages	99

Appendix

C

Software Drivers

C.1 Remote Management Tool

IEI provides optional pre-installed Windows XP Embedded or Windows CE 5.0 turnkey solutions tailored for the AFOLUX series. For information about configuring the operating system, adding remote management tools or additional software and drivers, refer to the software user manuals on IEI AFOLUX series Utility CD that came with the AFOLUX series flat panel PC.

C.2 Touch Panel Driver

C.2.1 Introduction

The onboard touch panel controller enables analog resistive touch panels for four-wire, five-wire & eight-wire models. The controller directly communicates with the PC system through the touch panel communications interface. The controller design is superior in sensitivity, accuracy, and friendly operation. The touch panel driver emulates the left mouse button and the right mouse button functions.

The touch panel driver supports the following operating systems:

- Microsoft Windows versions:
 - Microsoft Windows 95
 - Microsoft Windows 98
 - Microsoft Windows ME
 - Microsoft Windows 2000
 - Microsoft Windows NT
 - Microsoft Windows XP
 - Microsoft Windows 3.1
- Microsoft Windows CE
- Linux
- QNX
- DOS.

Driver installation is described below.

AFOLUX LX Series Flat Panel PC

C.2.2 Driver Installation

To install the touch panel software driver, please follow the steps below.

Step 1: Insert the driver CD that came with the AFOLUX series into the CD drive.

Step 2: Once the CD drive is installed, the screen in **Figure C-1** appears.



Figure C-1: Driver CD Pop Up Screen

Step 3: Select the operating system installed on the system from the menu on the screen.



NOTE:

The following description is for driver installation using a Windows 2000 OS. If a different OS is installed, please refer to the driver user manual for the relevant OS. The driver user manuals can be accessed by selecting **“User Manual”** from the menu on the left side of the **“Driver CD Pop Up Screen”**.

Step 4: Once the OS system is selected, a welcome screen appears (**Figure C-2**). To continue the installation process click **NEXT**.

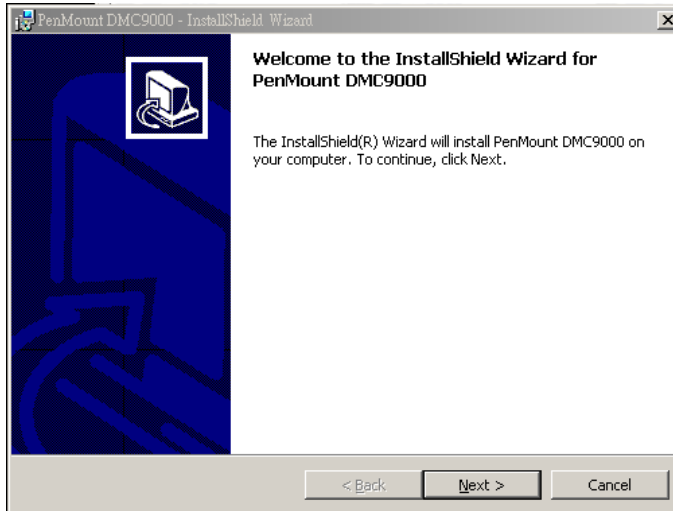


Figure C-2: Welcome Screen

Step 5: The license agreement shown in **Figure C-3** appears. Agree to the license by selecting “I accept the terms in the license agreement”.

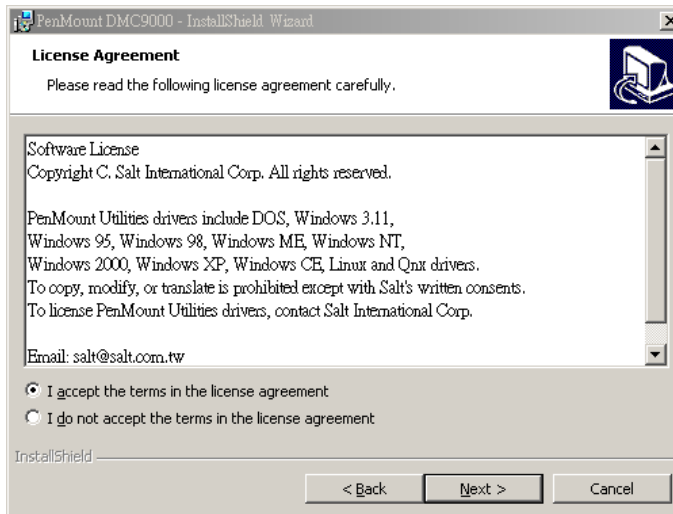


Figure C-3: License Agreement

Step 6: Click **NEXT** and the Installshield Wizard is ready to install the program (**Figure C-4**).

AFOLUX LX Series Flat Panel PC

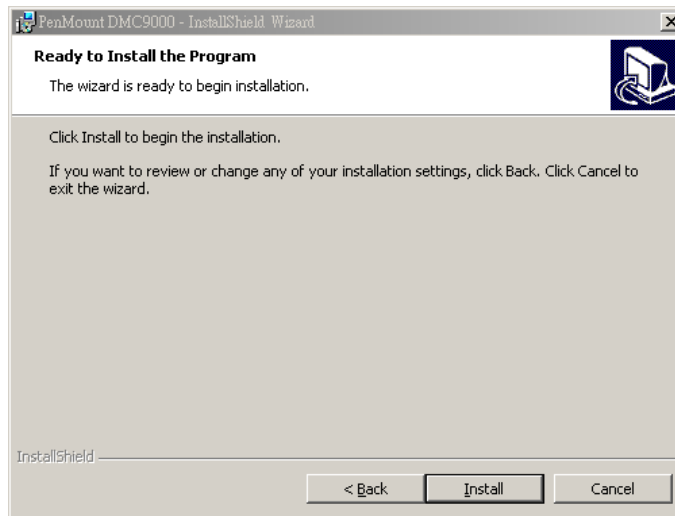


Figure C-4: Ready to Install the Program

Step 7: Click **INSTALL** to continue. The Installing PenMount DMC9000 screen appears as the program is installed (**Figure C-5**).

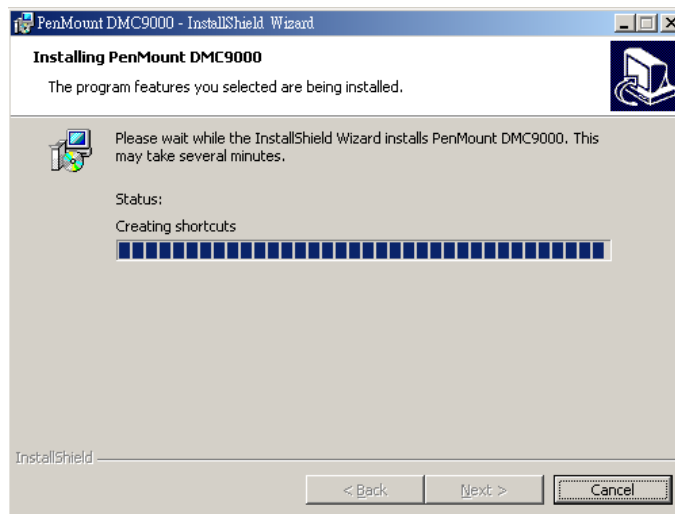


Figure C-5: Installing PenMount DMC9000

Step 8: The user is then prompted to select to restart the computer now or later (**Figure C-6**). For the settings to take effect, the computer must be restarted. Click **Yes** to restart the computer.

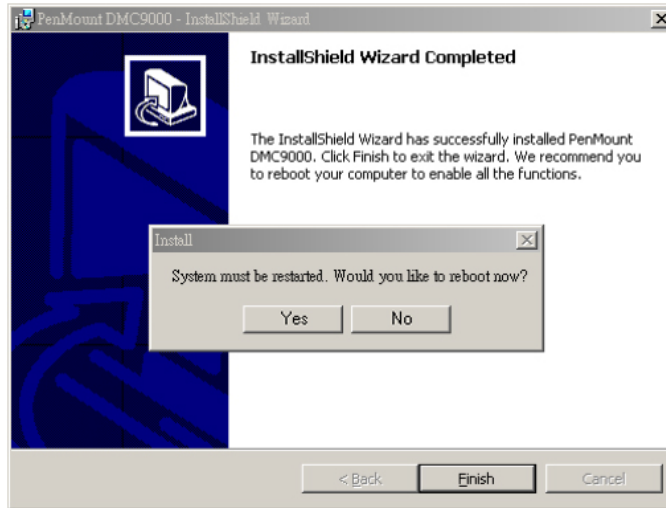


Figure C-6: Reboot the Computer

C.2.3 Touch Panel Driver Configuration

To configure the touch panel driver options, refer to the PenMount user manual located on the driver installation CD.

Appendix

D

Watchdog Timer


NOTE:

The following discussion applies to DOS environment. IEI support is contacted or the IEI website visited for specific drivers for more sophisticated operating systems, e.g., Windows and Linux.

The Watchdog Timer is provided to ensure that standalone systems can always recover from catastrophic conditions that cause the CPU to crash. This condition may have occurred by external EMI or a software bug. When the CPU stops working correctly, Watchdog Timer either performs a hardware reset (cold boot) or a Non-Maskable Interrupt (NMI) to bring the system back to a known state.

A BIOS function call (INT 15H) is used to control the Watchdog Timer:

INT 15H:

AH – 6FH Sub-function:	
AL – 2:	Sets the Watchdog Timer's period.
BL:	Time-out value (Its unit-second is dependent on the item "Watchdog Timer unit select" in CMOS setup).

Table D-1: AH-6FH Sub-function

Call sub-function 2 to set the time-out period of Watchdog Timer first. If the time-out value is not zero, the Watchdog Timer starts counting down. While the timer value reaches zero, the system resets. To ensure that this reset condition does not occur, calling sub-function 2 must periodically refresh the Watchdog Timer. However, the Watchdog timer is disabled if the time-out value is set to zero.

A tolerance of at least 10% must be maintained to avoid unknown routines within the operating system (DOS), such as disk I/O that can be very time-consuming.



NOTE:

When exiting a program it is necessary to disable the Watchdog Timer, otherwise the system resets.

Example program:

```

; INITIAL TIMER PERIOD COUNTER
;
W_LOOP:

    MOV     AX, 6F02H      ;setting the time-out value
    MOV     BX, 05        ;time-out value is 5 seconds
    INT     15H

;
; ADD THE APPLICATION PROGRAM HERE
;

    CMP     EXIT_AP, 1    ;is the application over?
    JNE     W_LOOP       ;No, restart the application

    MOV     AX, 6F02H     ;disable Watchdog Timer
    MOV     BX, 0        ;
    INT     15H

;
; EXIT ;

```

Appendix

E

Hazardous Materials Disclosure

E.1 Hazardous Material Disclosure Table for IPB Products Certified as RoHS Compliant Under 2002/95/EC Without Mercury

The details provided in this appendix are to ensure that the product is compliant with the Peoples Republic of China (China) RoHS standards. The table below acknowledges the presences of small quantities of certain materials in the product, and is applicable to China RoHS only.

A label will be placed on each product to indicate the estimated “Environmentally Friendly Use Period” (EFUP). This is an estimate of the number of years that these substances would “not leak out or undergo abrupt change.” This product may contain replaceable sub-assemblies/components which have a shorter EFUP such as batteries and lamps. These components will be separately marked.

Please refer to the table on the next page.

Part Name	Toxic or Hazardous Substances and Elements					
	Lead (Pb)	Mercury (Hg)	Cadmium (Cd)	Hexavalent Chromium (CR(VI))	Polybrominated Biphenyls (PBB)	Polybrominated Diphenyl Ethers (PBDE)
Housing	X	O	O	O	O	X
Display	X	O	O	O	O	X
Printed Circuit Board	X	O	O	O	O	X
Metal Fasteners	X	O	O	O	O	O
Cable Assembly	X	O	O	O	O	X
Fan Assembly	X	O	O	O	O	X
Power Supply Assemblies	X	O	O	O	O	X
Battery	O	O	O	O	O	O
<p>O: This toxic or hazardous substance is contained in all of the homogeneous materials for the part is below the limit requirement in SJ/T11363-2006</p> <p>X: This toxic or hazardous substance is contained in at least one of the homogeneous materials for this part is above the limit requirement in SJ/T11363-2006</p>						

AFOLUX LX Series Flat Panel PC

此附件旨在确保本产品符合中国 RoHS 标准。以下表格标示此产品中某有毒物质的含量符合中国 RoHS 标准规定的限量要求。

本产品上会附有“环境友好使用期限”的标签，此期限是估算这些物质“不会有泄漏或突变”的年限。本产品可能包含有较短的环境友好使用期限的可替换元件，像是电池或灯管，这些元件将会单独标示出来。

部件名称	有毒有害物质或元素					
	铅 (Pb)	汞 (Hg)	镉 (Cd)	六价铬 (CR(VI))	多溴联苯 (PBB)	多溴二苯醚 (PBDE)
壳体	X	O	O	O	O	X
显示	X	O	O	O	O	X
印刷电路板	X	O	O	O	O	X
金属螺帽	X	O	O	O	O	O
电缆组装	X	O	O	O	O	X
风扇组装	X	O	O	O	O	X
电力供应组装	X	O	O	O	O	X
电池	O	O	O	O	O	O

O: 表示该有毒有害物质在该部件所有物质材料中的含量均在 SJ/T11363-2006 标准规定的限量要求以下。
X: 表示该有毒有害物质至少在该部件的某一均质材料中的含量超出 SJ/T11363-2006 标准规定的限量要求。