

IDS-300-BW *Digital Signage System*

Features

- Fanless system with Intel® Celeron® N3160 processor
- Three HDMI ports
- Two full-size PCIe Mini slots for expansion
- Four USB 3.0 ports
- Two GbE LAN ports



Specifications

Model Name	IDS-300-BW	
Chassis	Color	Silver
	Dimensions (WxDxH) (mm)	241 x 160 x 39
	System Fan	Fanless
	Chassis Construction	Aluminum alloys
Motherboard	CPU	Intel® Celeron® N3160 (up to 2.24GHz, quad-core, 2MB cache, TDP=6W)
	Chipset	SoC
	System Memory	1 x 204-pin DDR3L SO-DIMM 4 GB pre-installed (system max: 8GB)
Storage	Hard Drive	1 x 2.5" SATA 6Gb/s HDD/SSD Bay
	USB 3.0	4
I/O Interfaces	Ethernet	2 X RJ-45 PCIe GbE by RTL8111E controller
	COM Port	2 x RS-232 (RJ-45)
	Button	1 x Power button 1 x AT/ATX Switch
	Display	3 x HDMI
	Resolution	HDMI 1&2 : up to 3840x2160 @ 30Hz HDMI 3 : up to 2560x1600 @ 60Hz
	Audio	1 x Line-in, 1 x Line-out, 1 x Mic-in
	Wireless	1 x 802.11b/g/n (optional)
Expansions	PCIe Mini	1 x Full-size PCIe Mini 1 x Full-size PCIe Mini (supports mSATA, colay with SATA)
	Power Input	DC Jack: 12 V DC
Power	Power Consumption	12 V@2.48 A (Intel® Celeron® N3160 with 4GB memory)
	Mounting	Wall mount, VESA 100
Reliability	Operating Temperature	-10°C ~ 40°C with air flow (SSD), 10% ~ 95%, non-condensing
	Operating Shock	Half-sine wave shock 5G, 11ms, 3 shocks per axis
	Operating Vibration	MIL-STD-810F 514.5 C-1(HDD)
	Weight (Net/Gross)	1.8 kg/ 3kg
	Safety/EMC	CE/FCC
OS	Supported OS	Microsoft® Windows® 8 Embedded, Microsoft® Windows® Embedded Standard 7 E

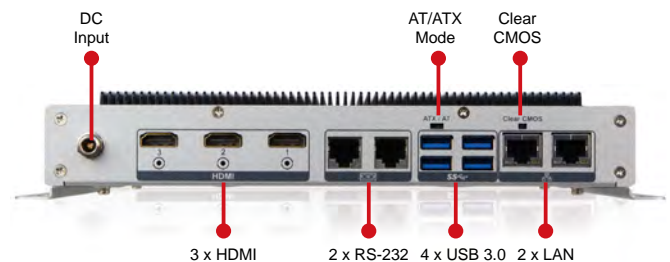
Ordering Information

Part No.	Description
IDS-300-BW-N3/4G-R10	Fanless embedded system with Intel® Celeron N3160 1.6GHz, (up to 2.24 GHz, Quad Core, TDP 6W), pre-installed 4GB DDR3L memory, 12V DC, triple HDMI display, RoHS
IDS-300-BW-QGW-N3/4G-R10	Fanless embedded system with Intel® Celeron N3160 1.6GHz, (up to 2.24 GHz, Quad Core, TDP 6W), pre-installed 4GB DDR3L memory, with QTS-Gateway, 12V DC, triple HDMI display, RoHS

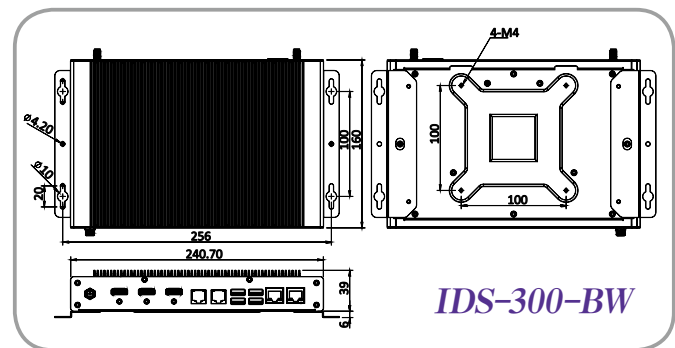
Fully Integrated I/O Front View



Rear View



Dimensions (Unit: mm)



Options

Part No.	Description
EMB-WIFI-KIT01-R11	1T1R Wi-Fi module kit for embedded system, IEEE802.11b/g/n, 1 x Wi-Fi module, 2 x RF cable, 2 x Antenna, RoHS
IDS-300-WES7E64-R10	OS Image with Windows® Embedded Standard 7 E 64-bit for IDS-300, DVD-ROM, RoHS

Packing List

1 x Utility CD	1 x Power Adapter	1 x Mounting Bracket
----------------	-------------------	----------------------

- 1 IEIMobile Solutions
- 2 Automation Panel PC Solutions
- 3 Healthcare Panel PC Solution
- 4 Industrial System
- 5 ORing Network Communication
- 6 Automation Control
- 7 Optional Peripherals