

# Technical Notice

Issue Date: Dec. 22, 2017

**Product Name: HYPER-BW**

**Implementation Date: Dec. 22 2017**

This notice is to inform you of changes to the HYPER-BW series.

### Reason for Change

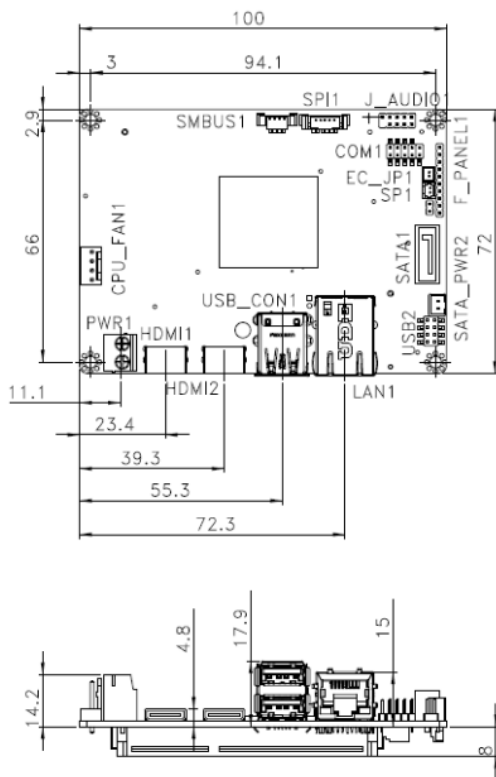
Change power connector type and plastics screw for mechanical compatibility.

### Description of Change.

Change power connector type and plastics screw for decreasing the possibility of short circuit when connecting power cable.

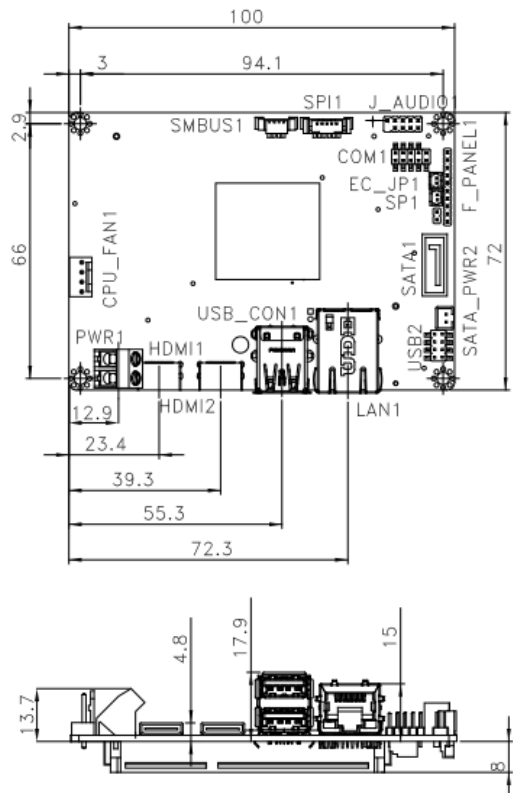
Original item

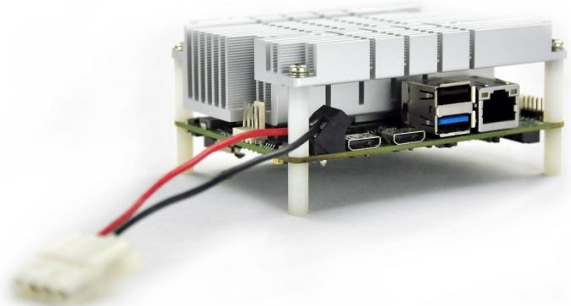
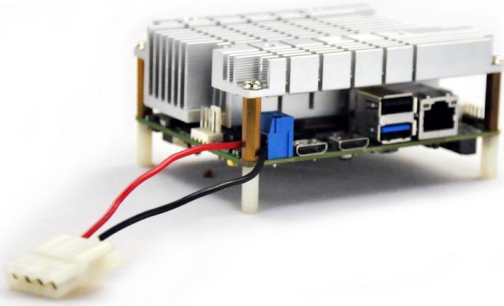
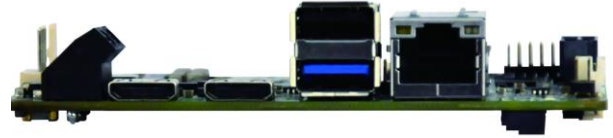
Drawing and picture in below



Substitute item

Drawing and picture in below





### Affected Model

Affected Model
HYPER-BW-N4-R10
HYPER-BW-N3-R10
HYPER-BW-N2-R10
HYPER-BW-E8-ECO-R10

### Affected by This Change

Specifications

Dimensions

Appearance

Package

Certification

Label

BIOS

Driver

For more details please refer to the latest datasheet or visit <http://www.ieiworld.com>.

*Best Regards,  
Elinor Chuang  
Product Manager  
IEI Integration Corp.*

# Technical Notice

**Issue Date:** Jan 2, 2017

**Product Name:** IEI Skylake/Braswell product

**Implementation Date:** Jan 2, 2017

This notice is to inform you of changes to the IEI Skylake/Braswell product.

## Reason for Change

Due to the chipset limitation, Intel Skylake and Braswell platform require USB 3.0 drivers to be preloaded in order to use USB devices during Windows 7 installation

## Description of Change

To solve USB devices cannot work normally while installing windows 7 under Skylake/ Braswell platform. Please follow the link below to create image for Win 7 installation.

<https://downloadcenter.intel.com/download/25476/Windows-7-USB-3-0-Creator-Utility>

Windows 7 SP1 OS	
Starter 32bit	Ultimate 32bit
Home Basic 32bit	Enterprise 64bit
Home Premium 32bit	Home Premium 64bit
Professional 32bit	Professional 64bit
	Ultimate 64bit

To those which not on the list, please follow the link below to mount USB3.0 driver and OS image into a package.

## Affected Model

Affected Model	
Skylake	
SPCIE-C236-i2-R10	SPCIE-C236-R10
HPCIE-C236-R10	HPCIE-Q170-R10
PCIE-Q170-i2-R10	PCIE-Q170-R10
IMBA-C2360-i2-R10	IMBA-H110-R10
IMBA-H110-ECO-R10	IMBA-Q170-i2-R10

IMBA-Q170-ECO-R10	IMB-H110-R10
IMB-H110-ECO-R10	KINO-AQ170-R10
KINO-DCM236-E3-R10	KINO-DCM236-E3E-R10
KINO-DCM236-i3E-R10	KINO-DCM236-CE-R10
KINO-DQM170-i7-R10	KINO-DQM170-i5-R10
KINO-DQM170-i3E-R10	KINO-DQM170-CE-R10
NANO-ULT3-CE-R10	NANO-ULT3-i7-R10
NANO-ULT3-i5-R10	NANO-ULT3-i3-R10
NANO-ULT3-C-R10	ICE-ULT3-CE-R10
ICE-ULT3-i7-R10	ICE-ULT3-i5-R10
ICE-ULT3-i3-R10	ICE-ULT3-C-R10
TANK-870-Q170i-i5/4G/2A-R10	TANK-870-Q170i-i5/4G/2B-R10
TANK-870-Q170i-i5/4G/4A-R10	TANK-870-Q170i-i5/4G/4B-R10
TANK-870-Q170i-i7/4G/2A-R10	TANK-870-Q170i-i7/4G/2B-R10
TANK-870-Q170i-i7/4G/4A-R10	TANK-870-Q170i-i7/4G/4B-R10
<b>Braswell Product</b>	
tKINO-BW-N4-R10	tKINO-BW-N3-R10
tKINO-BW-N2-R10	tKINO-BW-N1-R10
WAFER-BW-N4-R10	WAFER-BW-N3-R10
WAFER-BW-N2-R10	WAFER-BW-N1-R10
HYPER-BW-N4-R10	HYPER-BW-N3-R10
HYPER-BW-N2-R10	HYPER-BW-N1-R10
TANK-610-BW-N3/2G-R10	uIBX-250-BW-N3/2G-R10
IDS-300-BW-N3/4G-R10	

### Affected by This Change

- |  |                                     |                                     |  |
|--|-------------------------------------|-------------------------------------|--|
| <input checked="" type="checkbox"/> Specifications | <input type="checkbox"/> Dimensions | <input type="checkbox"/> Appearance | <input type="checkbox"/> Package           |
| <input type="checkbox"/> Certification             | <input type="checkbox"/> Label      | <input type="checkbox"/> BIOS       | <input checked="" type="checkbox"/> Driver |

For more details please refer to the latest datasheet or visit <http://www.ieiworld.com>.

*Best Regards,*  
*Jason Kao*  
*Project Manager*  
*IEI Integration Corp.*

# Technical Notice

**Issue Date:** Dec. 26, 2016

**Product Name:** HYPER-BW

**Implementation Date:** Dec. 26

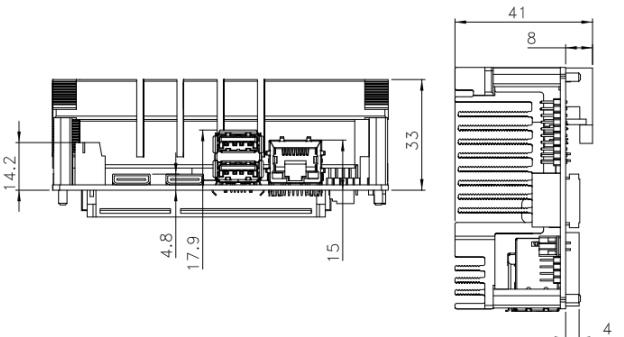
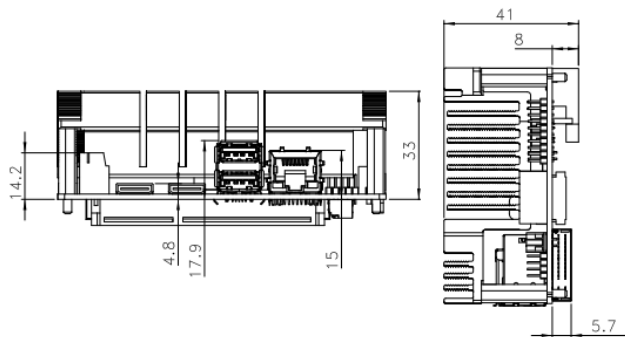
This notice is to inform you of changes to the HYPER-BW series.

## Reason for Change

Change M.2 B key connector height for better mechanical compatibility.

## Description of Change.

Change M.2 B key connector height from 4.2mm to 5.8mm by running change for the better mechanical compatibility with different M.2 B key module.

Original item	Substitute item
<p><b>Drawing in below</b></p> 	<p><b>Drawing in below</b></p> 

## Affected Model

### Affected Model

HYPER-BW-N4-R10

HYPER-BW-N3-R10

HYPER-BW-N2-R10

## Affected by This Change

Specifications

Dimensions

Appearance

Package

Certification

Label

BIOS

Driver

For more details please refer to the latest datasheet or visit <http://www.ieiworld.com>.

*Best Regards,  
Elinor Chuang  
Product Manager  
IEI Integration Corp.*