

UPC-V312-D525

12.1" Aluminum Rugged Panel PC



Features

- Fully IP 65 compliant with fanless Intel® Atom™ D525 1.8GHz dual-core processor
- 12.1" 600 nits 1024 x 768 LCD with LED backlight
- TWIN-DC input, 9V ~ 36V and 10.5V ~ 36V, switch automatically
- Dual-band 2.4/5GHz Wi-Fi 802.11 a/b/g/n 3T3R MIMO design
- Reserved space for 3.75G / HSPA USB module
- Optional GPS receiver
- Optional EM or Mifare RFID reader
- Optional Bluetooth module
- Built-in 2-megapixel webcam with AF, AE and AWB capabilities
- CAN-bus interface with isolation
- Robust die-casting aluminum chassis



Specifications

Model Name		UPC-V312-D525-R13
Display	LCD Size	12.1"
	Max Resolution	1024(W) x 768(H)
	Brightness (cd/m ²)	600
	Contrast Ratio	700:1
	LCD Color	16.2M
	Pixel Pitch (mm) (HxV)	0.24(H) x 0.24(V)
	Viewing Angle (V/H)	150° / 130°
	Backlight MTBF (hrs)	50000
Touch	Touch Screen	Resistive Type 5-Wire with RS-232 interface
	Touch Controller	DMC 9000
Motherboard	SBC	UPCMB-V312-D525-R10
	CPU	Intel® Atom™ D525 1.8GHz dual-core processor
	Chipset	Intel® ICH8M
	RAM	On-board 2GB DDR3 SO-DIMM (System Max. 2GB)
	Ethernet	Realtek RTL8111CP PCIe GbE controller
	Audio Codec	Realtek ALC888 audio codec
I/O Ports and Switches		RS-422/485 (4-pin box header) RS-232 (DB-9 connector) CAN-bus (3-pin terminal block) GbE LAN (RJ-45 connector) 4 x USB connector Audio jack (Line-out, Mic) VGA port (DB-15 connector) DC-IN 1 (terminal block) / DC-IN 2 (DC jack) Reset button AT/ATX switch
Connectivity	Wireless	IEEE 802.11a/b/g/n 3T3R module (WIFI-RT5393-DB-R10) Telec certified
	Bluetooth	Bluetooth V2.0+EDR with USB interface (optional)
	3G	Reserved USB connector (Optional)
Driver Bay	SSD	CF Type II / mSATA (SATA2 Signal)
Physical	Front Panel Construction	Aluminum Die-Casting
	Chassis Construction	Extruded Aluminum Alloy
	Mounting	VESA 100mm x 100mm and 75mm x 75mm with M8 screws
	Front Panel Color	Orange (Pantone 151C)
	Dimensions (WxHxD) (mm)	338.5 x 276.25 x 62.86
	Cut Out Dimensions (WxH) (mm)	338.5 x 276.25
Net / Gross Weight		4.5 kg/ 6.8 kg
Expansion Slot		PCIe Mini slot for Wi-Fi PCIe Mini slot
System Cooling		Fanless
Environment	Operating Temperature	-20°C~60°C
	Storage Temperature	-40°C~85°C
	Vibration	MIL-STD-810F 514.5C-2 (with CF card or SSD)
	Shock	Half-sine wave shock 3G; 11ms; 3 shocks per axis
	IP Level	Full IP 65
	Safety & EMC	CE / FCC
Power	Adapter	65W power adapter (Meet PSE) (Power adapter supports operating temperature 0°C ~ 40°C) Input: 90VAC~264VAC, 50/60Hz; Output: 19V DC
	Requirement	Power 1: 9 (+/-0.3)~36V Power 2: 10.5 (+/-0.3)~36V
	Consumption	52W

Ordering Information

Part No.	Description
UPC-V312-D525/R/2G-R13	12.1" 600cd/m ² XGA fanless full IP 65 panel PC with Intel® Atom™ D525 dual core 1.8GHz, 802.11a/b/g/n wireless module, resistive touch screen, 2-megapixel camera, microphone, 2GB DDR3 RAM, R13

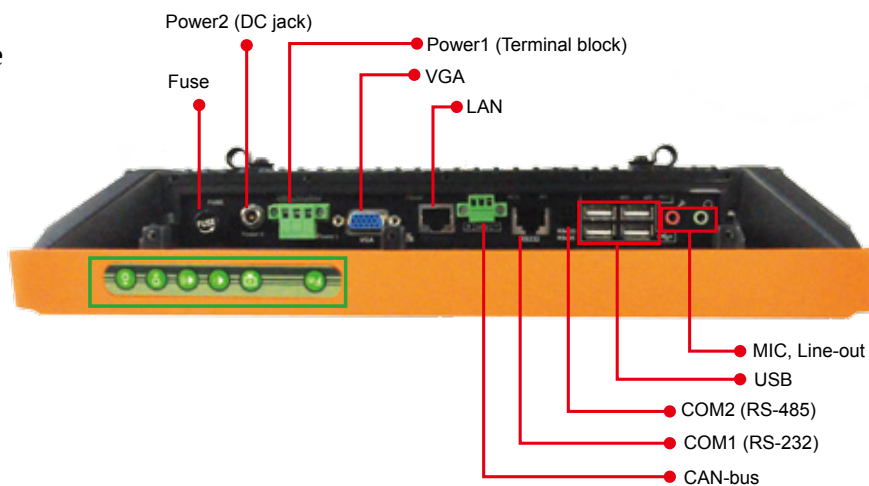
Options

Item	P/N
ARM	ARM-11-RS/ARM-31-RS
Wall Mounting Kit	AFLWK-19B/ AFLWK-12
Stand	STAND-A19-RS/STAND-A21-R10/STAND-210-R11
EM RFID Kit	UPC-EM-RFID-KIT01-R10
MIFARE RFID Kit	UPC-MF-RFID-KIT01-R11
OS: Win CE 6.0 (128MB CF Card)	UPCCF-V312-D525-CE060-128M-R10
OS: Win XPE (4GB CF Card)	UPCCF-V312-D525-XPE-4G-R10
OS: Win 7 Embedded (4GB CF Card)	UPCCF-V312-D525-WES7E-4G-R10

Packing List

Item	P/N	Q'ty
Utility CD	7B000-000741-RS	1
One Key Recovery CD		1
IR Remote Controller	7Z000-SLPCB005-RS	1
RJ-45 to DB-9 COM Port Cable	32005-000200-200-RS	1
M8 Screw	44325-080081-RS	8
M4 Screw	44005-040082-RS	8
Mounting Bracket	41003-0382C2-00-RS	2
Screw Driver	45019-001004-00	1
Power Adapter	63040-010065-200-RS	1
Power Cord (European Standard)	32702-000401-100-RS	1
RS-422 Cable	32205-002400-100-RS	1
Power Transfer Cord	32702-000300-100-RS	1
M8 to M4 Screw	44300-040061-RS	8

I/O Interface



UPC-V312 Dimensions (Unit: mm)

