

19" SXGA AFOLUX Panel PC

AFL-19i(E)-HM55

Intel® Core™ i7/i5/i3/Celeron® Processor

**New HM55 Platform Features:**

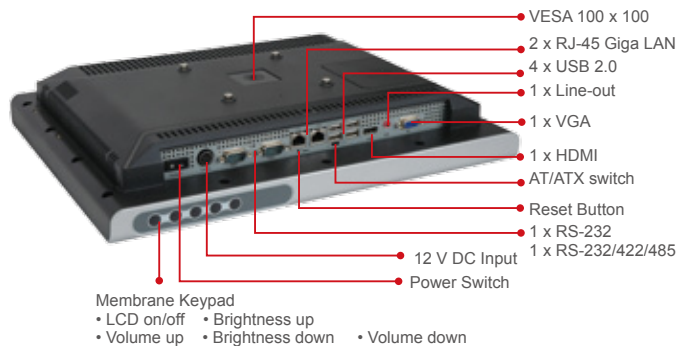
- Powered by high performance 2.66 GHz Intel® Core™ i7-620M CPU with Intel® HM55 chipset
- 1066MHz DDR3 system memory up to 4GB
- HDMI port delivers high image quality on the second display
- IEI One Key Recovery solution allows you to create rapid OS backup and recovery (over 4GB storage capacity is suggested)

**Specifications**

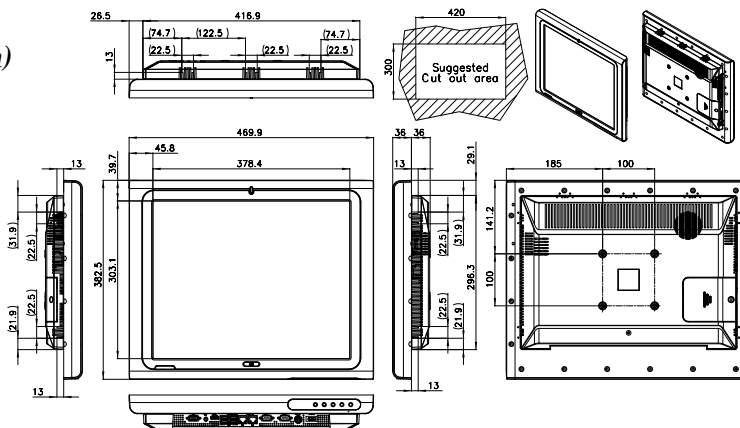
Model	AFL-19i-HM55
LCD Size	19"
Max Resolution	1280 x 1024
Brightness (cd/m ²)	350
Contrast Ratio	1000 : 1
LCD Color	16.7M
Pixel Pitch (mm)	0.294 (H) x 0.294 (V)
Viewing Angle (H-V)	170° / 160°
Backlight MTBF	50000 hrs (LED backlighting)
SBC Model	AFLMB2-HM55-R10
CPU	Intel® Core™ i7/i5/i3/Celeron® Processor
Chipset	Intel® HM55
RAM	Two 204-pin 800/1066MHz DDR3 dual-channel SO-DIMMs supported (Max. 8GB)
I/O Ports	1 x RS-232 COM Port 1 x RS-232/422/485 COM Port 2 x RJ-45 for Giga LAN 4 x USB 2.0 1 x Power Switch 1 x Reset Button 1 x Audio Port (Line-out) 1 x VGA 1 x Power Jack 1 x HDMI Port
Storage	SATA SSD
Watchdog Timer	Software programmable supports 1~255 sec. system reset
Audio	AMP 3W + 3W (internal speakers)
Wireless Connection	1 x Wireless LAN 802.11b/g/n Module (internal PCIe Mini card interface) Telec certified
Drive Bay	1 x 2.5" SATA HDD bay
Construction Front Panel	ABS + PC Plastic front frame
Membrane Keypad	OSD Keypad below the Front Panel (5 keys)
LED Function	1 x Power on/off LED on front panel
Mounting	Panel, Wall, Stand and Arm VESA 100mm x 100mm
Front Panel Color	Sliver (877U) & Gray (ABSA2037)
Dimensions (WxHxD) (mm)	470 x 383 x 72
Operation Temperature (°C)	0°C~50°C
Storage Temperature (°C)	-20°C ~60°C
N/G Weight	6.2Kg
IP Level	Front Frame IP64
Touch Screen	Resistive Type 5-Wire (Touch controller IC is on board)
Power Adapter	P/N: 63040-010096-100-RS 96W Power Adapter (Meet PSE) Input: 90VAC~264VAC, 50 / 60 Hz Output: 12VDC
Power Requirement	12VDC
Power Consumption	88W (Intel® T7500, 2GB memory, 80G HDD)

Fully Integrated I/O

• **AFL-19i-HM55**



AFL-19i
Dimensions (Unit: mm)



Ordering Information

Part Number	Description
AFL-19i-HM55-P45/R/1G-R21	19" 350cd/m ² SXGA LED backlighting panel PC with Intel® Celeron® P4500 1.86G CPU, 1GB DDR3 RAM, 802.11b/g/n wireless module, touch screen, R21
AFL-19i-HM55i3-35/R/2G-R21	19" 350cd/m ² SXGA LED backlighting panel PC with Intel® Core™ i3-350M 2.26G CPU, 2GB DDR3 RAM, 802.11b/g/n wireless module, touch screen, R21
AFL-19i-HM55i5-52/R/2G-R21	19" 350cd/m ² SXGA LED backlighting panel PC with Intel® Core™ i5-520M 2.4G CPU, 2GB DDR3 RAM, 802.11b/g/n wireless module, touch screen, R21
AFL-19i-HM55i7-62/R/2G-R21	19" 350cd/m ² SXGA LED backlighting panel PC with Intel® Core™ i7-620M 2.66G CPU, 2GB DDR3 RAM, 802.11b/g/n wireless module, touch screen, R21

Packing List

Item	Part Number	Q'ty	Specification
Screw Pack	44013-030041-RS	4	M3;5mm
Power Adpater	63040-010096-100-RS	1	90~264V AC; 12V DC; 96W (Meet PSE)
Power Cord	32000-000002-RS	1	1750mm; European Standard
Utility CD	7B000-000087-RS	1	
Touch Pen	43125-0002C0-00-RS	1	
One Key Recovery CD		1	

ISMM Supported Functions

	Voltage	Fan	Smart Fan	Temperature	WDT	Cash Drawer
AFL-19i-HM55	V	V	V	V	V	

Options

Model	AFL-19i-HM55
Panel Mounting Kit	AFLPK-19B
Wall Mounting Kit	AFLWK-19B
Arm	ARM-11-RS / ARM-31-RS
Stand	STAND-A19-RS / STAND-A21-R10 / STAND-210-R11
OS: Win XPE (1 GB CF card)	AFLSD-15-HM55-2G-XPE-R20(2GB SATA SSD)
OS: Win 7 Embedded	AFLSD-15-HM55-4G-WES7E-R20 (4GB SATA SSD)
Magnetic Stripe Reader	AFLP-19MSR-U
DC 12V Input UPS	AUPS-B10-R10 (VESA 100, DC 12V input, 12V output 100W UPS module with 3800mAh)
DC 9~36V Input UPS	AUPS-B20-R10 (VESA 100, DC 9~36V input, 12V output 100W UPS module with 3800mAh)
Bluetooth V2.0+EDR	AFL-BT-KIT01-R10

19" Wide 1440 x 900 AFOLUX Panel PC

AFL-W19A-N270

Intel® Atom™ N270 1.6GHz Processor

**Mirror Black
Glossy Finish****Features**

- 19" wide screen all-in-one system with resistive touch panel
- High quality wide screen panel featuring 16:10 aspect ratio, high contrast and fast response time
- Fanless system integrated with Intel® Atom™ N270 1.6G processor for ultra low voltage
- IEEE 802.11b/g/n Wi-Fi connection
- Built-in two speakers
- Built-in capitalize technology
- Ambient light sensor detects ambient light for automated screen adjustments
- VESA-mountable for flexibility in mounting and deployment
- iSM system utility included for system settings
- Support Windows® CE, Windows® XP Embedded (optional)
- IP 64 compliant front panel
- IEI One Key Recovery solution allows you to create rapid OS backup and recovery (suggest over 4GB storage capacity)

**Specifications**

Model	AFL-W19A-N270	
LCD Size	19"	
Max Resolution	1440 x 900	
Brightness (cd/m ²)	250	
Contrast Ratio	1000:1	
LCD Color	16.7M	
Pixel Pitch (mm)	0.2835 (H) x 0.2835 (V)	
Viewing Angle (H-V)	170° / 160°	
Backlight MTBF	30000 hrs (LED backlight)	
SBC Model	AFLMB2-945GSE-N270-R10	
CPU	Intel® Atom™ N270 1.6GHz CPU	
Chipset	Intel® 945GSE + ICH7M	
RAM	Supports one 400MHz or 533MHz DDR2 SO-DIMM (Max. 2GB)	
I/O Ports	1 x RS-232 COM Port 1 x RS-232/422/485 COM port 2 x RJ-45 for Giga LAN 4 x USB 2.0 1 x Power Switch	1 x Reset Button 1 x Audio Port 1 x VGA Port 1 x Power Jack
Storage	CF Type II	
Watchdog Timer	Software programmable supports 1~255 sec. system reset	
Audio	AMP 1.5W + 1.5W (internal speakers)	
Camera Module	300K pixel camera (with low light function) and digital microphone	
Wireless Connection	1 x Wireless LAN 802.11b/g/n module (internal PCIe Mini card interface) Telecom certified	
Drive Bay	1 x 2.5" SATA HDD bay	
Construction Front Panel	ABS + PC Plastic front frame	
Membrane Keypad	LCD On/Off, Brightness Down/Up, Volume Down/Up, Lock, Ambient Light Sensor On/Off (7 keys)	
Ambient Light Sensor	Yes	
Infrared Remote Control	LCD On/Off, Brightness Up/Down, Volume Up/Down, System On/Off, Ambient Light Sensor On/Off	
Mounting	Panel, Wall, Stand and Arm VESA 100mm x 100mm	
Front Panel Color	Black C	
Dimensions (WxHxD) (mm)	475 x 259 x 65	
Operation Temperature (°C)	0°C ~40°C with HDD -10°C ~50°C with CF Card or SATA interface 2.5" SSD HDD	
Storage Temperature (°C)	-20°C ~60°C	
N/G Weight	5.8 Kg	
IP Level	IP 64 compliant front panel	
Safety & EMC	CE / FCC	
Touch Screen	5-wire resistive type (touch controller IC is on board)	
Power Adapter	P/N: 63000-FSP084DMBA1308-RS 84W Power Adapter Input: 90VAC~264VAC, 50/60Hz Output: 12VDC	
Power Requirement	12VDC	
Power Consumption	55W	



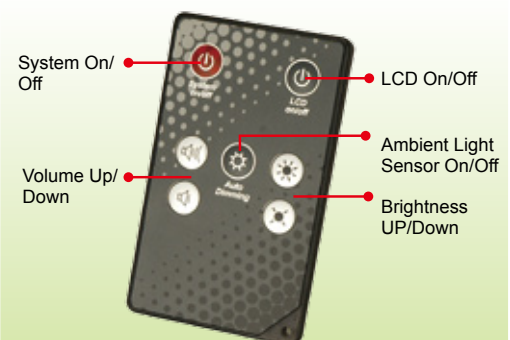
Membrane Keypad for System Function Control



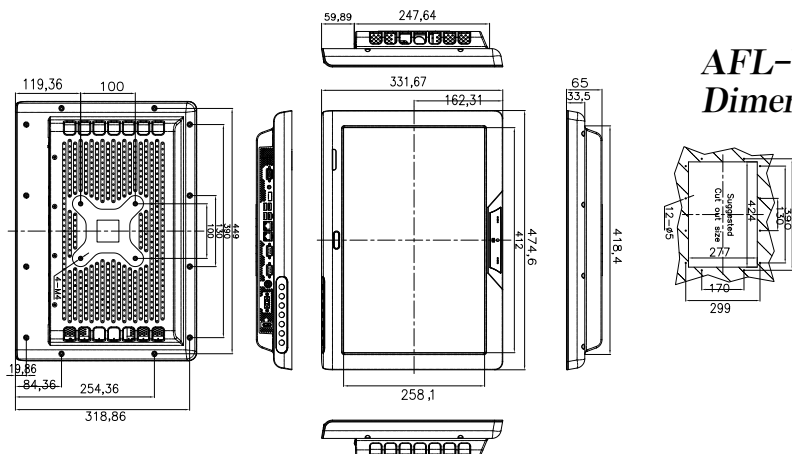
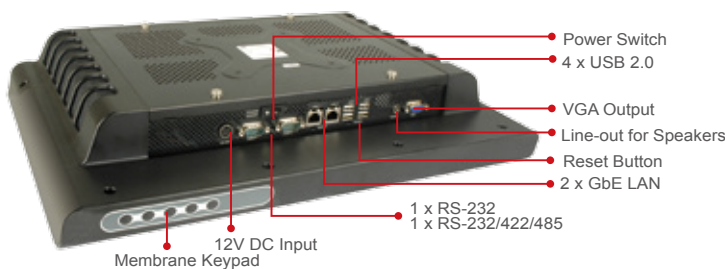
Ambient Light Sensor



2mega pixel Camera (with Low Light Function) and Digital Microphone

**Infrared Remote Control
(For AFL-W19A Series Only)**

Fully Integrated I/O



Ordering Information

Part Number	Description
AFL-W19A-N270/R/1G-R30	19" 250cd/m ² 1440x900 LED backlighting panel PC with Intel® Atom™ N270 1.6GHz CPU, 1GB DDR2 RAM, 802.11b/g/n wireless module, touch screen, 2-megapixel camera, microphone, R30

Packing List

Item	Part Number	Q'ty	Specification
Screw Pack	44013-030041-RS	4	M3;5mm
Power Adpater	63000-FSP084DMBA1308-RS	1	90~264V AC; 12V DC; 84W
Power Cord	32000-000002-RS	1	1750mm; (EU or US, depending on the shipment country)
Utility CD	7B000-000087-RS	1	
Touch Pen	43125-0002C0-00-RS	1	
One Key Recovery CD		1	

ISMM Supported Functions

	Voltage	Fan	Smart Fan	Temperature	WDT	Cash Drawer
AFL-W19A- N270	V			V	V	

Options

Model	AFL-W19A-N270
Panel Mounting Kit	AFLPK-W19B
Wall Mounting Kit	AFLWK-19B
Arm	ARM-11-RS / ARM-31-RS
Stand	STAND-A19-RS / STAND-A21-R10 / STAND-210-R11
OS: Win CE 6.0 (128 MB CF card)	AFLCF-15-N270-CE060-R30
OS: Win XPE (1 GB CF card)	AFLCF-15-N270-XPE-R30
OS: Win 7 Embedded (4GB CF card)	AFLCF-15-N270-WES7E-R30
DC 12V Input UPS	AUPS-B10-R10 (VESA 100, DC 12V input, 12V output 100W UPS module with 3800mAH)
DC 9~36V Input UPS	AUPS-B20-R10 (VESA 100, DC 9~36V input, 12V output 100W UPS module with 3800mAH)
Bluetooth V2.0+EDR	AFL-BT-KIT04-R10

Note: Win CE application without digital microphone function