

# HSC-U032M-S

Lightweight USB 3.0 camera & opto-isolated external GPIO, Micron MT9V022 CMOS, global shutter, 60 FPS at 752x480, without Lens

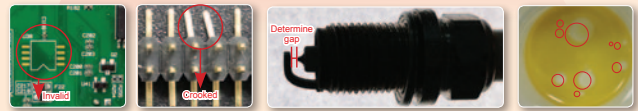


## Demo Codes Provided



**Capture Card = + Camera**

**HSC-U032M-S**  
USB 3.0 High Speed Camera



Machine Vision Application Examples

## Features

- IEI Vision SDK available
- Compact and lightweight industrial camera with Aptina global shutter CMOS sensor
- Compliant with USB 3.0 SuperSpeed specification
- Opto-isolated external GPIO interface
- Resolutions up to 752x480
- Frame rates up to 90 FPS
- Support AMCap and other DirectShow compatible software
- Other commercial vision software supported through DirecShow, ex: Halcon

## Specifications

### ◆ Camera

Resolution (max.)	752 x 480
Frame Rate (max.)	90 FPS
Megapixels	0.3 MP
Chroma	Mono
Sensor Name	Micron MT9V022
Sensor Type	CMOS
Readout Method	Global shutter
Sensor Format	1/3-inch
Pixel Size	6.0 μm
Lens Mount	CS-mount
ADC	8bit/10bit
Opto-isolated I/O Ports	1 input, 1 output
Serial Port	1
Auxiliary Output	3.3 V, 100 mA max
Interface	USB 3.0 interface
Mass	79g
Compliance	CE, FCC

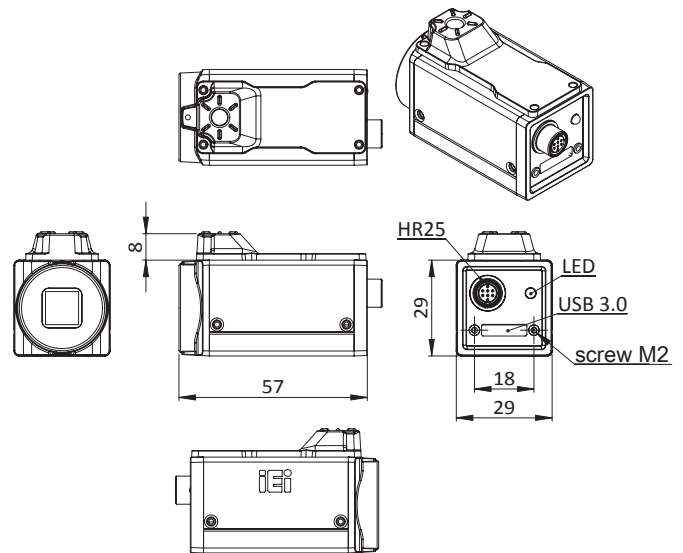
### ◆ System Requirement

System	Intel® Core™ i5 or above
Memory	2GB or more
OS Environment	Microsoft® Windows 7 32-bit/64-bit

### ◆ Others

Dimensions (mm)	58.9 mm x 29 mm x 29 mm
Operating Temperature	0°C ~ 45°C
Storage Temperature	-30°C ~ 60°C
Operating Humidity	20% ~ 80%
Storage Humidity	20% ~ 95%
Power Requirements	5V via external connector or USB 3.0
Power Consumption (max.)	<3.5W

## Dimensions (Unit: mm)



## Packing List

- 1 x HSC-U032M-S
- 1 x QIG

## Ordering Information

Part No.	Description
HSC-U032M-S	Lightweight USB 3.0 camera & opto-isolated external GPIO, Micron MT9V022 CMOS, global shutter, 60 FPS at 752x480, without Lens

Note: IEI does not offer Open eVision and MIL software licenses. Please buy the original version from their vendors.