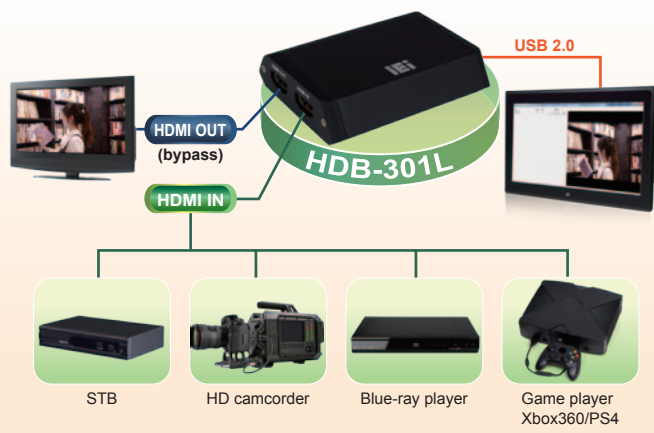


HDB-301L

USB 2.0 video/audio capture box with one HDMI input channel and one HDMI output channel, 1920x1080@30p, and H.264 hardware codec



H.264 Hardware Codec Video Recording/Streaming



Features

- Compatible with Microsoft Windows® 7 for 32-bit & 64-bit
- Equipped with one HDMI input port
- Encode up to 1080p30 HD video
- Record and stream video over networks or the Internet: VideoLAN VLC, AMCap and other DirectShow compatible software

Specifications

◆ Interface

| | | |
|---------------------------|----------------------|----------------------|
| Input | Video input channel | 1 channel |
| | Video input type | HDMI |
| | Audio input channel | 1 channel |
| | Audio input type | HDMI (stereo) |
| No Delay HDMI Passthrough | Video output channel | 1 channel (1080p 60) |
| | Video output type | HDMI |
| | Audio output channel | 1 channel |
| | Audio output type | HDMI (stereo) |

◆ PC Interface

| | |
|------|---------|
| Type | USB 2.0 |
|------|---------|

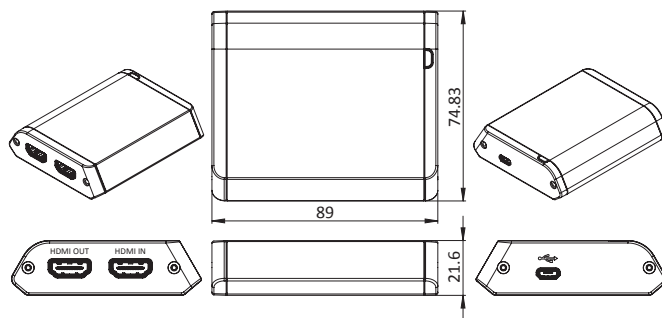
◆ Video Processing

| | | |
|------------------------|----------------------------------|-----------------|
| Hardware Encoder | H.264/AVC High Profile Level 4.1 | |
| Recording Datarate | Up to 30Mbps | |
| Video Input Resolution | 1920 x 1080 24p/25p/30p/50p/60p | 1280 x 1024 30p |
| | 1920 x 1080 60i/59.94i/50i | 1280 x 768 60p |
| | 1280 x 800 60p | 1024 x 768 60p |
| | 1280 x 720 50p/60p | 720 x 576 50p |
| | 800 x 600 60p | 640 x 480 60p |
| | 720 x 480 60p | |
| Recording Formats | 1920 x 1080 24p/25p/30p | 1280 x 1024 30p |
| | 1280 x 800 60p | 1280 x 768 60p |
| | 1280 x 720 50p/60p | 1024 x 768 60p |
| | 800 x 600 60p | 720 x 576 50p |
| | 720 x 480 60p | 640 x 480 60p |
| | | |

◆ Audio Processing

| | |
|----------------------------|---------------|
| Audio Sampling Frequencies | 44.1k, 48k Hz |
| Audio Compression | MPEG4-AAC |
| Recording Datarate | 128kbps |

Dimensions (Unit: mm)



◆ System Requirement

| | |
|----------------|---|
| System | Intel® Core™2 Duo 2.4GHz or above |
| Memory | 2GB or more |
| OS Environment | Microsoft® Windows 7 32-bit/64-bit Microsoft DirectX 10.0c or above Linux: Ubuntu 10.04 (kernel 2.6.35) |

◆ Software Support

| | |
|---------------|---|
| Device Driver | Microsoft® Windows 7 32-bit Microsoft® Windows 7 64-bit Linux: Ubuntu 10.04 (kernel 2.6.35) |
| SDK | Provide SDK and demo program |

◆ Functionality

| | |
|-----------------------|--------------------------------|
| Multiple Card Support | 8 channels |
| Scaling | Video scaling down compression |

◆ Others

| | |
|-----------------------|--|
| Dimensions | 89 mm x 74.83 mm x 21.6 mm |
| Operating Temperature | 0°C ~ 60°C (32° ~ 140°F), non-condensing |
| Power Consumption | 4.5W |

Packing List

| | |
|---------------|----------------|
| 1 x HDB-301L | 1 x QIG |
| 1 x USB cable | 1 x Utility CD |

Ordering Information

| Part No. | Description |
|--------------|--|
| HDB-301L-R10 | USB2.0 video/audio capture box with one HDMI input, one HDMI output, 1920x1080@30p, and H.264 Hardware codec |