

15" XGA AFOLUX Panel PC

AFL-15A(E)-N270

Intel® Atom™ N270 1.6GHz Processor



Features

- 15" TFT LCD with resistive touch screen
- System memory up to 2 GB RAM
- Built-in 802.11b/g (or 802.11b/g/n) wireless LAN
- Selectable AT/ATX power mode through the switch inside the chassis
- Built-in two speakers
- One CompactFlash® slot
- IP 64 compliant front panel
- IEI One Key Recovery solution allows you to create rapid OS backup and recovery (over 4GB storage capacity is suggested)



Specifications

Model	AFL-15A(E)-N270	Fanless
LCD Size	15"	
Max Resolution	1024 x 768	
Brightness (cd/m²)	250	
Contrast Ratio	700:1	
LCD Color	262K or 16.7M	
Pixel Pitch (mm)	0.297(H) x 0.297(V)	
Viewing Angle (H-V)	160°/140° or 170°/160°	
Backlight MTBF	50000 or 300000 hrs	
SBC Model	AFLMB2-945GSE-N270-R10	
CPU	Intel® Atom™ N270 1.6GHz processor	
Chipset	Intel® 945GSE + ICH7M	
RAM	Supports one 400MHz or 533MHz DDR2 SO-DIMM (Max. 2GB)	
I/O Ports	1 x RS-232 COM Port 1 x RS-232/422/485 COM Port 2 x RJ-45 for GbE 4 x USB 2.0 1 x Power Switch 1 x Reset Button 1 x Audio Port (line-out) 1 x VGA Port 1 x Power Jack	
Storage	CF Type II	
Watchdog Timer	Software programmable supports 1~255 sec. system reset	
Audio	AMP 1.5W + 1.5W (internal speakers)	
Wireless Connection	1 x Wireless LAN 802.11b/g/n Module (internal PCIe Mini interface) (AFL-15A-N270 with telec certified)	
Construction Front Panel	ABS + PC Plastic front frame	
LED Function	1 x Power on/off LED on front panel	
Mounting	Panel, Wall, Rack, Stand and Arm, VESA 100mm x 100mm	
Front Panel Color	Sliver (877U) & Gray (ABSA2037)	
Dimensions (WxHxD) (mm)	394 x 309 x 61	
Operation Temperature (°C)	0°C ~40°C with SATA HDD -10°C ~50°C with CF Card or SATA interface 2.5" SSD HDD	
Storage Temperature (°C)	-20°C ~ 60°C	
N/G Weight	3.2 Kg	
IP Level	IP 64 compliant front panel	
Safety & EMC	CE / FCC	
Touch Screen	5-wire resistive type (Touch controller IC is on board) or Capacitive type touch screen without HDD bay	
Power Adapter	P/N: 63040-010060-050-RS 60W Power Adapter (Meet PSE) Input: 90VAC~264VAC, 50/60Hz / Output: 12VDC	
Power Requirement	12VDC	
Power Consumption	49W	

15" XGA AFOLUX Panel PC

AFL-15i(E)-HM55

Intel® Core™ i7/i5/i3/Celeron® Processor



NEW Features in HM55 Platform :

- Powered by high performance 2.66 GHz Intel® Core i7-620M CPU with Intel® HM55 chipset
- DDR3 1066MHz system memory up to 4GB
- HDMI/VGA port delivers high quality image on the second display
- IEI One Key Recovery solution allows you to create rapid OS backup and recovery (over 4GB storage capacity is suggested)

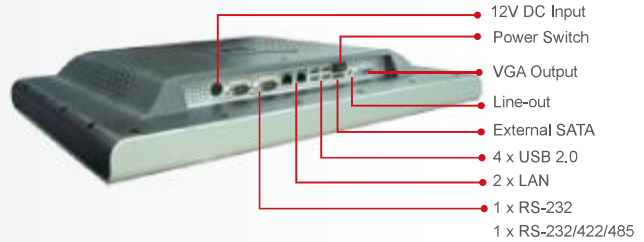


Specifications

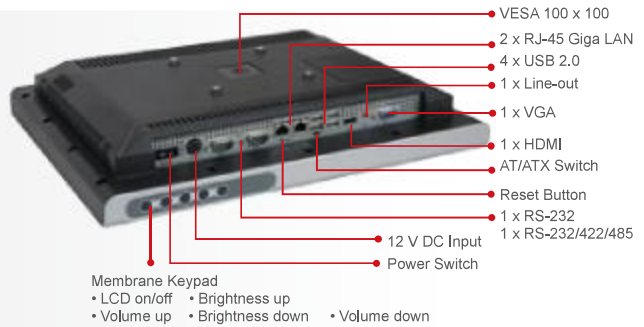
Model	AFL-15i(E)-HM55
LCD Size	15"
Max Resolution	1024 x 768
Brightness (cd/m ²)	400 or 250
Contrast Ratio	700:1
LCD Color	262K or 16.7M
Pixel Pitch (mm)	0.297(H) x 0.297(V)
Viewing Angle (H-V)	160°/140° or 170°/160°
Backlight MTBF	50000 hrs (LED backlighting) or 30000 hrs
SBC Model	AFLMB2-HM55-R10
CPU	Intel® Core™ i7/i5/i3/Celeron® Processor
Chipset	Intel® HM55
RAM	Two 204-pin 800/1066MHz DDR3 dual-channel SO-DIMMs supported (Max. 8GB)
I/O Ports	1 x RS-232 COM Port 1 x RS-232/422/485 COM Port 2 x RJ-45 for Giga LAN 4 x USB 2.0 1 x Power Switch 1 x Reset Button 1 x Audio Port (Line-out) 1 x VGA 1 x Power Jack 1 x HDMI Port
Storage	SATA SSD
Watchdog Timer	Software programmable supports 1~255 sec. system reset
Audio	AMP 3W + 3W (internal speakers)
Wireless Connection	1 x Wireless LAN 802.11b/g/n Module (internal PCIe Mini card interface) (AFL-15i-HM55 with telec certified)
Drive Bay	1 x 2.5" SATA HDD bay
Construction Front Panel	ABS + PC Plastic front frame
Membrane Keypad	LCD on/off, Brightness up/down, Volume up/down (5 keys)
LED Function	1 x Power on/off LED on front panel
Mounting	Panel, Wall, Rack, Stand and Arm VESA 100mm x 100mm
Front Panel Color	Sliver (877U) & Gray (ABSA2037)
Dimensions (WxHxD) (mm)	394 x 309 x 66
Operation Temperature (°C)	0°C~50°C
Storage Temperature (°C)	-20°C ~ 60°C
N/G Weight	5.8 Kg
IP Level	Front Frame IP64
Touch Screen	Resistive Type 5-Wire (Touch controller IC is on board) or Capacitive type touch screen without HDD bay
Power Adapter	P/N: 63040-010096-010-RS 96W Power Adapter (Meet PSE) Input: 90VAC~264VAC, 50/60Hz Output: 12VDC
Power Requirement	12VDC
Power Consumption	80W

Fully Integrated I/O

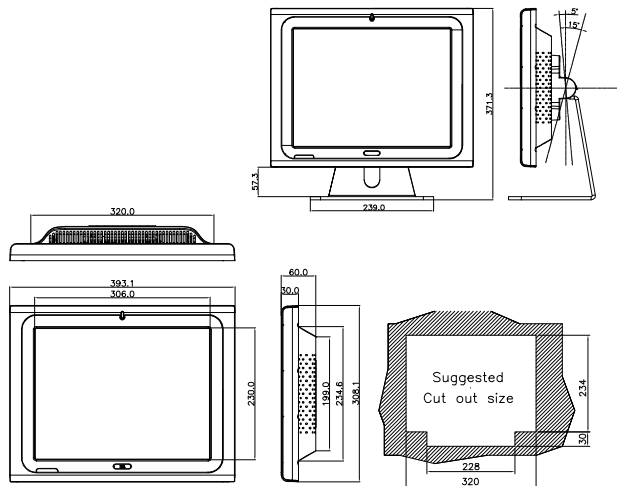
AFL-15A-N270



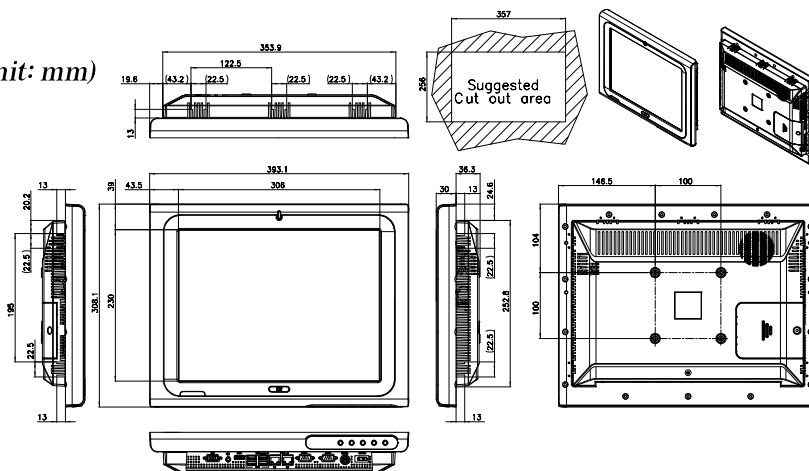
AFL-15i-HM55



AFL-15A Dimensions (Unit: mm)



AFL-15i Dimensions (Unit: mm)



Ordering Information

• High Luminance (400 cd/m²)

Part Number	Description
AFL-15A-N270/R/1G-R30	15" 400cd/m ² XGA LED backlighting fanless panel PC with Intel® Atom™ N270 1.6GHz CPU, 1GB DDR2 RAM, 802.11b/g/n wireless module, touch screen, R30
AFL-15i-HM55-P45/R/1G-R20	15" 400cd/m ² XGA LED backlighting panel PC with Intel® Celeron P4500 1.86G CPU, 1GB DDR3 RAM, 802.11b/g/n wireless module, touch screen, R20
AFL-15i-HM55i3-35/R/2G-R20	15" 400cd/m ² XGA LED backlighting panel PC with Intel® Core™ i3-350M 2.26G CPU, 2GB DDR3 RAM, 802.11b/g/n wireless module, touch screen, R20
AFL-15i-HM55i5-52/R/2G-R20	15" 400cd/m ² XGA LED backlighting panel PC with Intel® Core™ i5-520M 2.4G CPU, 2GB DDR3 RAM, 802.11b/g/n wireless module, touch screen, R20
AFL-15i-HM55i7-62/R/2G-R20	15" 400cd/m ² XGA LED backlighting panel PC with Intel® Core™ i7-620M 2.66G CPU, 2GB DDR3 RAM, 802.11b/g/n wireless module, touch screen, R20

• Regular Luminance (250 cd/m²)

Part Number	Description
AFL-15AE-N270/R/1G-R22	15" 250cd/m ² XGA fanless panel PC with Intel® Atom™ N270 1.6GHz CPU, 1GB DDR2 RAM, 802.11b/g/n wireless module, touch screen, R22
AFL-15iE-HM55-P45/R/1G-R12	15" 250cd/m ² XGA panel PC with Intel® Celeron P4500 1.86G CPU, 1GB DDR3 RAM, 802.11b/g/n wireless module, touch screen, R12
AFL-15iE-HM55i3-35/R/2G-R12	15" 250cd/m ² XGA panel PC with Intel® Core™ i3-350M 2.26G CPU, 2GB DDR3 RAM, 802.11b/g/n wireless module, touch screen, R12
AFL-15iE-HM55i5-52/R/2G-R12	15" 250cd/m ² XGA panel PC with Intel® Core™ i5-520M 2.4G CPU, 2GB DDR3 RAM, 802.11b/g/n wireless module, touch screen, R12
AFL-15iE-HM55i7-62/R/2G-R12	15" 250cd/m ² XGA panel PC with Intel® Core™ i7-620M 2.66G CPU, 2GB DDR3 RAM, 802.11b/g/n wireless module, touch screen, R12

ISMM Supported Functions

	Voltage	Fan	Smart Fan	Temperature	WDT	Cash Drawer
AFL-15i(E)-HM55	V	V	V	V	V	
AFL-15A(E)-N270	V			V	V	

Packing List

Item	Part Number	Q'ty	Specification
Screw Pack	44013-030041-RS	4	M3,5mm
Power Adpater	63040-010060-050-RS 63040-010060-050-RS	1	90~264V AC; 12V DC; 60W (15A(E)-N270) (Meet PSE) 90~264V AC; 12V DC; 96W (15i(E)-HM55) (Meet PSE)
Power Cord	32000-000002-RS	1	1750mm; European Standard
Utility CD	7B000-000087-RS	1	
Touch Pen	43125-0002C0-00-RS	1	
One Key Recovery CD		1	

Options

Model	AFL-15A(E)-N270	AFL-15i(E)-HM55
Panel Mounting Kit	AFLPK-15	AFLPK-15B
Wall Mounting Kit	AFLWK-19B	
Rack Mounting Kit	AFLRK-15-R11	N/A
Arm	ARM-11-RS / ARM-31-RS	
Stand	STAND-A19-RS / STAND-A21-R10-R10 / STAND-210-R11	
OS: Win CE 6.0 (128 MB CF card)	AFLCF-15-N270-CE060-R30	-
OS: Win XPE (1 GB CF card)	AFLCF-15-N270-XPE-R30	AFLSD-15-HM55-2G-XPE-R20 (2GB SATA SSD)
OS: Win 7 Embedded (2GB CF card)	AFLCF-15-N270-WES7E-R30	AFLSD-15-HM55-4G-WES7E-R20 (4GB SATA SSD)
Hybrid Card Reader	AFLP-17AMSI-U	
Magnetic Stripe Reader	AFLP-17AMSR-U	
DC 12V Input UPS	AUPS-B10-R10 (14.8V 3800mAh)	
DC 9~36V Input UPS	AUPS-B20-R10 (14.8V 3800mAh)	
Bluetooth V2.0+EDR	AFL-BT-KIT04-R10	AFL-BT-KIT01-R10