

Light Industrial Panel PC

New

7"~15.6" Light Industrial Interactive Panel PC

Features

- 7"~15.6" light industrial interactive panel PC
- 9 V ~ 30 V wide range DC input with lockable DC jack
- Selectable AT/ATX power mode
- Built-in speakers
- One mSATA slot
- IP64/IP65 compliant front panel
- IEI One Key Recovery solution allows you to create rapid OS backup and recovery (suggested with over 4GB storage capacity)



Specifications

| | Fanless | Fanless | Fanless |
|---|--|---|--|
| Model | AFL3-W07A-BT-R10 | AFL3-W10A-BT-R10 | AFL3-12A-BT-R10 |
| Size | 7" | 10.1" | 12.1" |
| Resolution | 1024 x 600 (16:9) | 1280 x 800 (16:10) | 1024 x 768 (4:3) |
| Brightness (cd/m ²) | 500 | 350 | 500 |
| Contrast Ratio | 700:1 | 800:1 | 700:1 |
| LCD Color | 16.2M | 16.2M | 16.2M |
| Pixel Pitch (mm) | 0.0635 (H) x 0.1905 (V) | 0.1695 (H) x 0.1695 (V) | 0.240 (H) x 0.240 (V) |
| Viewing Angle (H-V) | 150° / 145° | 170° / 170° | 160° / 160° |
| Backlight MTBF (hrs) | 20000 hrs | 15000 hrs | 50000 hrs |
| Touch Screen | Projected capacitive type | Projected capacitive type | 5-wire resistive touch window/ projected capacitive type |
| Touch Controller | EETI EXC7200 | EETI EXC7200 | PenMount DMC9000/ EETI EXC7200 |
| CPU | Intel® Celeron® N2807 (dual core, 1.58 GHz) | Intel® Celeron® J1900 (quad core, 2.0 GHz) | Intel® Celeron® J1900 (quad core, 2.0 GHz) |
| RAM | 2GB DDR3L onboard RAM/ 4GB DDR3L onboard RAM | One 204-pin 2 GB 1333MHz single-channel ,2GB DDR3L SDRAM pre-installed (system max. 8GB) | One 204-pin 2 GB 1333MHz single-channel ,2GB DDR3L SDRAM pre-installed (system max. 8GB) |
| Ethernet | 2 x PCIe GbE by RTL8111E controller | 2 x PCIe GbE by RTL8111E controller | 2 x PCIe GbE by RTL8111E controller |
| Audio Codec | ALC892 | ALC892 | ALC892 |
| Storage | mSATA | mSATA | mSATA 2.5" SATA 3Gb/s HDD bay |
| Input / Output | 2 x RS-232 COM port (DB-9 connector) 2 x USB 3.0 2 x GbE LAN 1 x Power switch 1 x Reset button 1 x AT/ATX switch 1 x 9-30V Lockable power jack | 1 x RS-232 COM port (RJ-45 connector) 1 x RS-232/422/485 COM port (DB-9 connector) (R1/5V/12V) 2 x USB 3.0 2 x USB 2.0 2 x RJ-45 for GbE LAN 1 x Power switch 1 x Audio port (line-out) 1 x Reset button 1 x AT/ATX switch 1 x 9-30V DC Lockable power jack | 1 x RS-232 COM port (RJ-45 connector) 1 x RS-232/422/485 COM port (DB-9 connector) (R1/5V/12V) 2 x USB 3.0 2 x USB 2.0 2 x RJ-45 for GbE LAN 1 x Power switch 1 x Audio port (line-out) 1 x Reset button 1 x AT/ATX switch 1 x 9-30V Lockable power jack |
| Audio | AMP 2W (internal speaker, left channel output) | AMP 2W + 2W (internal speaker) | AMP 3W + 3W (internal speaker) |
| Camera and Microphone | N/A | 2-megapixel with low light function, digital microphone | 2-megapixel with low light function, digital microphone |
| OSD Function | Software OSD | | |
| Thermal Solution | Fanless | | |
| Wireless | IEEE 802.11a/b/g/n/ac | IEEE 802.11a/b/g/n/ac | IEEE 802.11a/b/g/n/ac |
| Front Panel Construction | PC + ABS Plastic | | |
| Mounting | Panel, Wall, Stand, Arm VESA 75mm x 75mm | Panel, Wall, Stand, Arm VESA 75mm x 75mm | Panel, Wall, Rack, Stand and Arm VESA 75mm x 75mm / 100mm x 100mm |
| Color | Black C | | |
| Dimensions (WxHxD) (mm) | 191 x 127 x 43 | 262 x 181 x 42 | 303 x 243 x 44 |
| Cut-out Dimensions (WxH) (mm) | 182 x 111 | 236 x 150 | 243 x 204 |
| Operating Temperature (°C) (Ambient with air flow) | -20°C~50°C | -10°C~50°C | -20°C~50°C |
| Storage Temperature (°C) | -20°C~60°C | -20°C~60°C | -20°C~60°C |
| Humidity | 10% to 95% (non-condensing) | | |
| IP Level | IP 65 compliant front panel | IP 64 compliant front panel | IP 64 compliant front panel |
| Safety&EMC | CE / FCC | | |
| Power Requirement | 9 V ~ 30 V | | |
| Power Consumption | 12V@2.17A (Intel® J1900 CPU with 2GB 1333 MHz DDR3L memory) | 12V@2.3A (Intel® J1900 CPU with 2GB 1333 MHz DDR3L memory) | 12V@3.58A (Intel® J1900 CPU with 2GB 1333 MHz DDR3L memory) |

AFL3-W15A-BT

Intel® Celeron® J1900 Quad Core 2 GHz



AFL3-W15B-H81

Intel® Core™ i7/i5/i3, Pentium® and Celeron®



Features

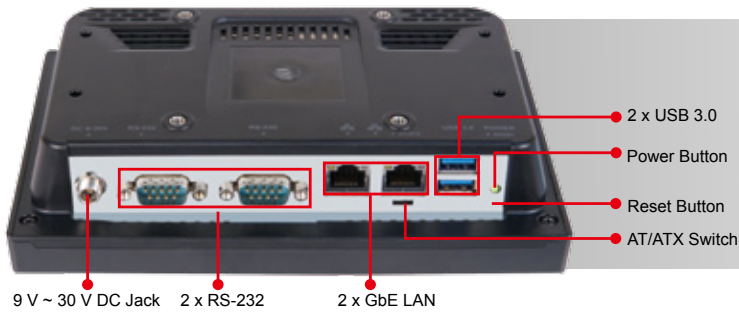
- W15" light industrial interactive panel PC
- 9 V ~ 30 V wide range DC power input
- Selectable AT/ATX power mode
- Built-in speakers
- One mSATA slot
- IP64 compliant front panel
- IEI One Key Recovery solution allows you to create rapid OS backup and recovery (suggested with over 4GB storage capacity)

Specifications



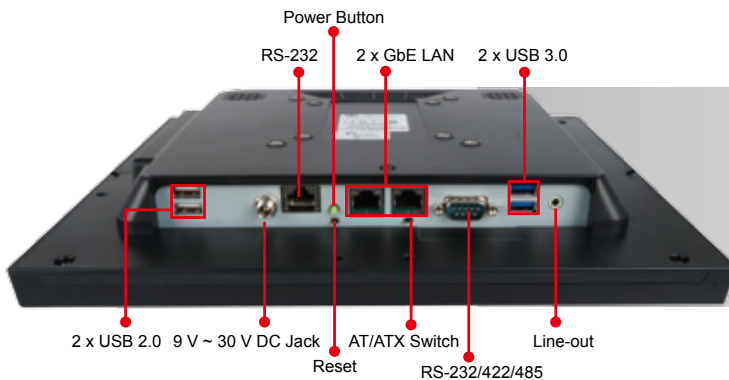
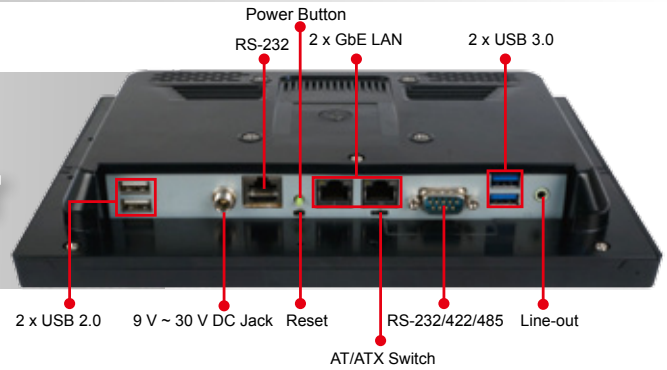
| Model | AFL3-W15A-BT-R10 | AFL3-W15B-H81-R10 |
|---|---|---|
| Size | 15.6" | |
| Resolution | 1366 x 768 (16:9) | |
| Brightness (cd/m ²) | 300 | |
| Contrast Ratio | 700:1 | |
| LCD Color | 16.7M | |
| Pixel Pitch (mm) | 0.240 (H) x 0.240 (V) | |
| Viewing Angle (H-V) | 160° / 160° | |
| Backlight MTBF (hrs) | 50000 (LED backlight) | |
| Touch Screen | 5-wire resistive type with RS-232 interface / projected capacitive type with USB interface | |
| Touch Controller | PenMount DMC9000/ EETI EXC7200 | PenMount DMC9000 / EETI EXC7200 |
| CPU | Intel® Celeron® J1900 (quad core, 2 GHz) | Intel® Core™ i7/i5/i3, Pentium®, Celeron® processor (TDP 35W) |
| Chipset | N/A | Intel® H81 |
| RAM | One 204-pin 1333MHz single-channel DDR3L SDRAM, 2GB pre-installed (system max. 8GB) | Two 204-pin 1333MHz single-channel DDR3L SDRAM, 4GB pre-installed (system max. 16GB) |
| Ethernet | 2 x PCIe GbE by RTL8111E controller | |
| Audio Codec | ALC892 | |
| Storage | mSATA 2.5" SATA 3Gb/s HDD bay | |
| Input / Output | 1 x RS-232 COM port (RJ-45 connector) 1 x RS-232/422/485 COM port (DB-9 connector) (RI/5V/12V) 2 x USB 2.0 2 x USB 3.0 2 x GbE LAN 1 x Power switch 1 x Reset button 1 x AT/ATX switch 1 x Audio port (line-out) 1 x 9-30V Lockable power jack | 1 x RS-232 COM port (DB-9 connector) 1 x RS-232/422/485 COM port (DB-9 connector) (RI/5V/12V) 2 x GbE LAN 4 x USB2.0 2 x USB3.0 1 x HDMI output 1 x Power switch 1 x Reset button 1 x AT/ATX switch 1 x Audio port (line-out) 1 x 9-30V Lockable power jack |
| Audio | AMP 3W + 3W (internal speakers) | |
| Camera and Microphone | 2-megapixel with low light function, digital microphone | |
| OSD Function | Software OSD | Software OSD |
| Thermal Solution | Fanless | Smart Fan |
| Wireless | IEEE 802.11a/b/g/n/ac | |
| Bluetooth | N/A | Bluetooth v4.0 |
| Front Panel Construction | PC + ABS Plastic | |
| Mounting | Panel, Wall, Rack, Stand and Arm VESA 75mm x 75mm / 100mm x 100mm | Panel, Wall, Rack, Stand and Arm VESA 75mm x 75mm / 100mm x 100mm |
| Color | Black C | |
| Dimensions (WxHxD) (mm) | 396 x 250 x 53 | 396 x 250 x 59 |
| Cut-out Dimensions (WxH) (mm) | 273 x 226 | 369 x 226 |
| Operating Temperature (°C) (Ambient with air flow) | -20°C~50°C | |
| Storage Temperature (°C) | -20°C~60°C | |
| Humidity | 10% to 95% (non-condensing) | |
| IP Level | IP 64 compliant front panel | |
| Safety & EMC | CE / FCC | |
| Power Requirement | 9 V ~ 30 V | |
| Power Consumption | 12V@4.16A (Intel® J1900 CPU with 2GB 1333 MHz DDR3 memory) | 12V@6.33A (Intel® Pentium® G3320TE CPU with 4GB 1333 MHz DDR3L memory) |

Rich I/O Interface



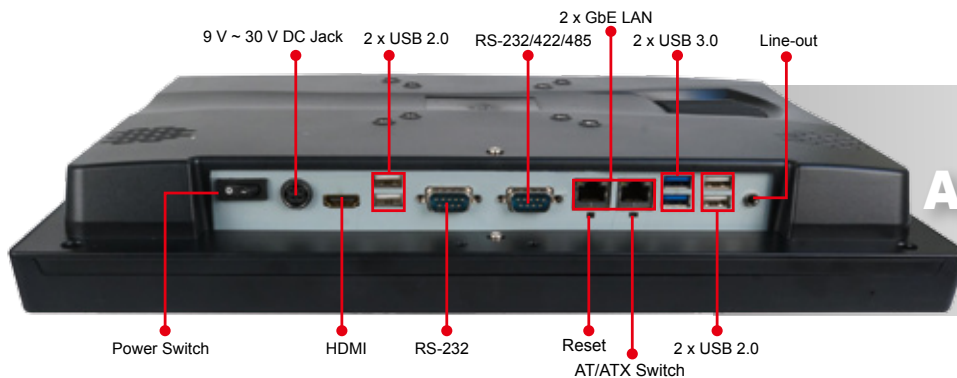
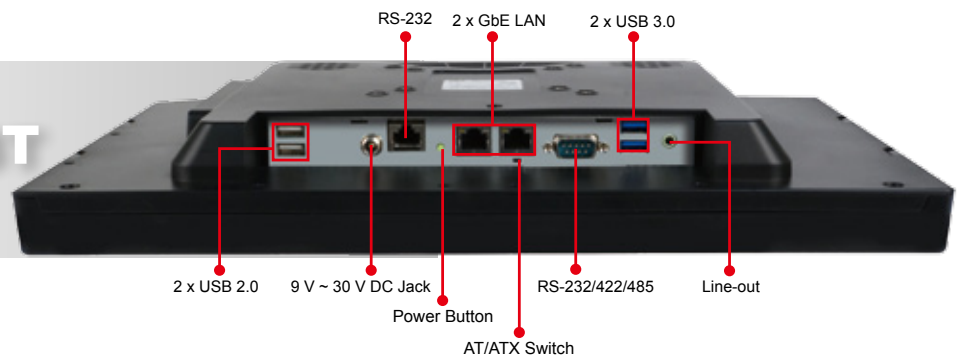
AFL3-W07A-BT

AFL3-W10A-BT

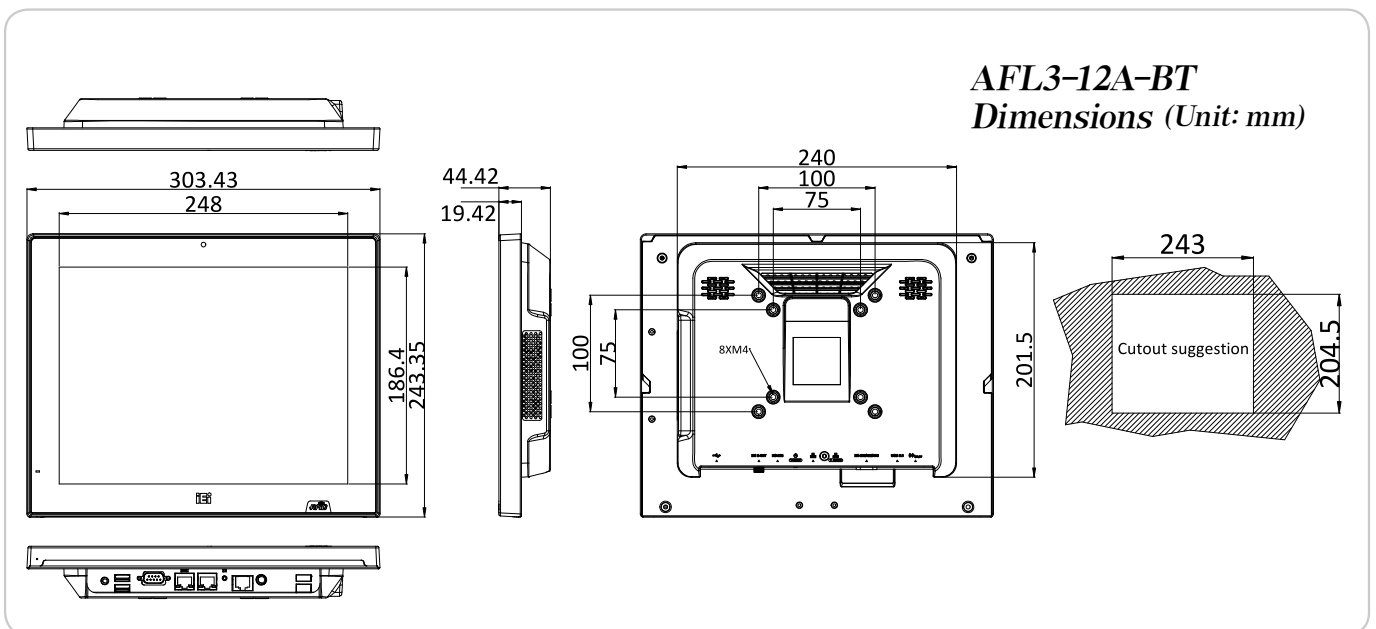
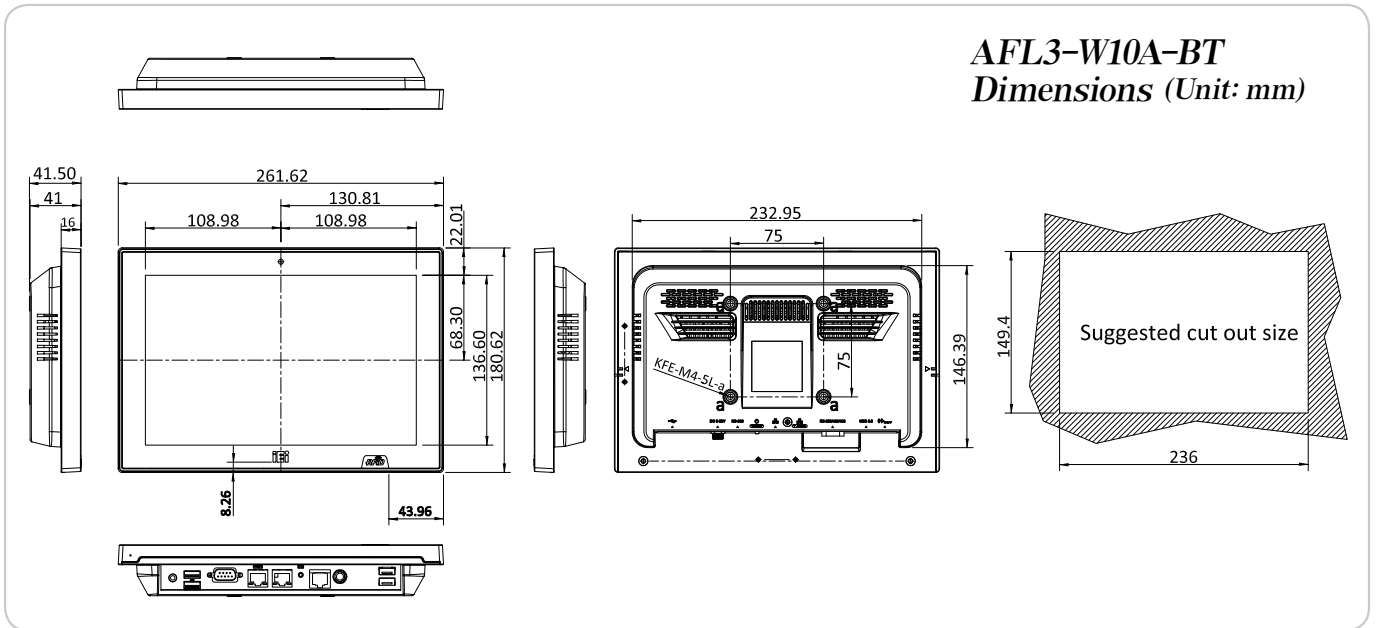
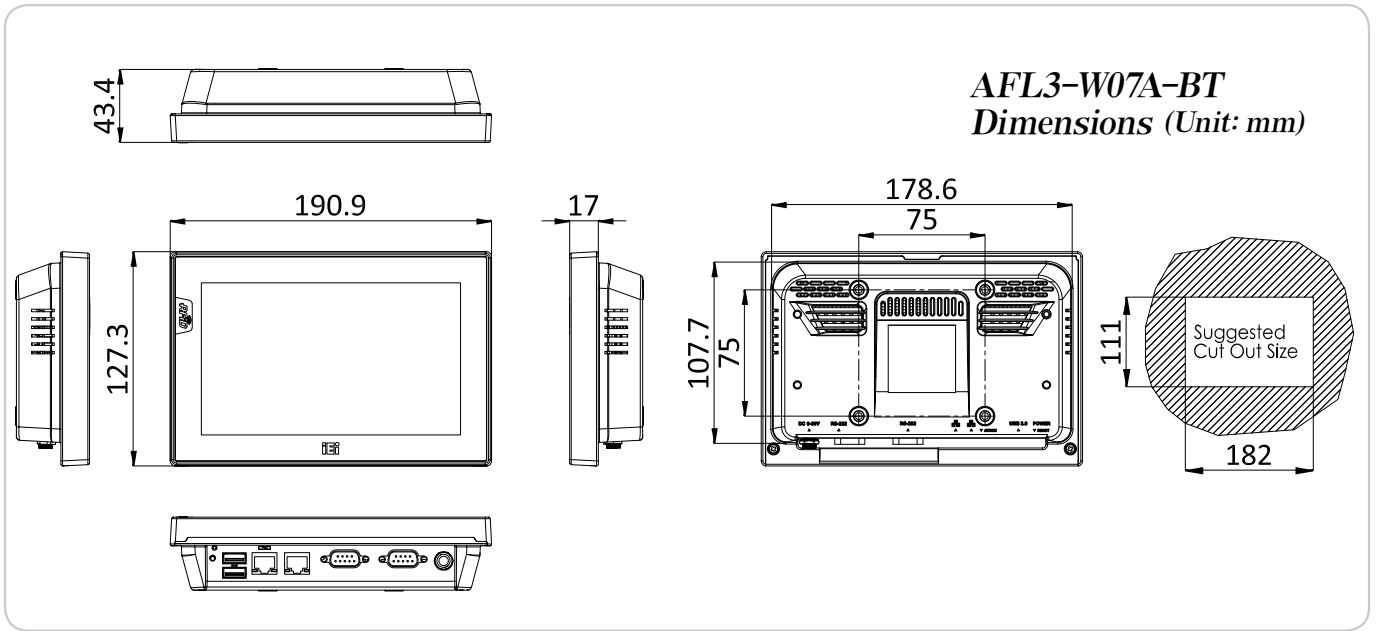


AFL3-12A-BT

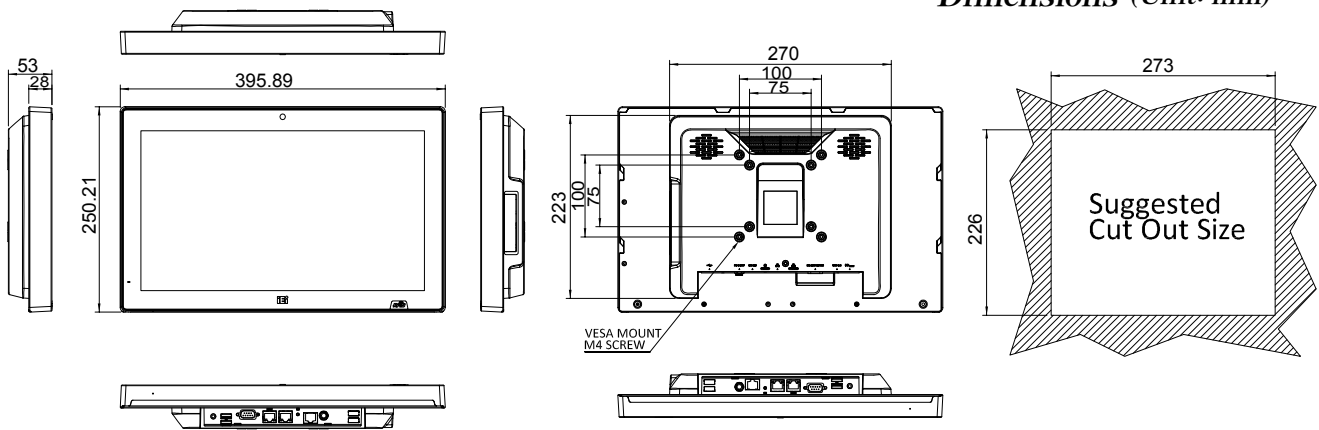
AFL3-W15A-BT



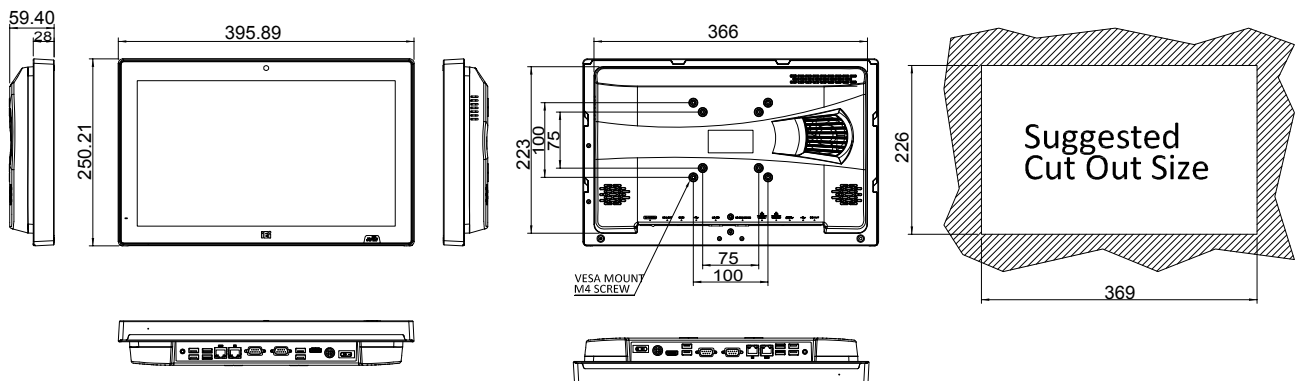
AFL3-W15B-H81



AFL3-W15A-BT
Dimensions (Unit: mm)



AFL3-W15B-H81
Dimensions (Unit: mm)



Packing List

| Item | Part No. | Q'ty | Description |
|---------------------------------------|--------------------------------------|------|---|
| One Key Recovery DVD | 7B000-001083-RS | 1 | |
| Setting kit | 46003-002600-RS (W07A-BT) | 2 | |
| Round head machine screw | 44003-020041-RS (W07A-BT/12A-BT) | 2 | M2*4 round head machine screw |
| | 44003-020041-RS (W15A-BT/15B-H81) | 4 | M2*4 round head machine screw |
| Pan head machine screw | 44403-040061-RS | 4 | M4*6 pan head machine screw |
| Fix holder | 46003-009500-RS | 2 | |
| Power cord | 32702-000400-200-RS (W07A-BT) | 1 | |
| | 32702-000200-100-RS | 1 | |
| Power adapter | 63040-010036-121-RS (W07A-BT) | 1 | 36W; Vin: 90V~264V AC; Vout: 12VDC; $\Phi 2.5/\Phi 5.5$ /lock |
| | 63040-010060-120-RS (12A-BT/W15A-BT) | 1 | 60W; Vin: 90V~264V AC; Vout: 12VDC; $\Phi 2.5/\Phi 5.5$ /lock |
| | 63040-010096-100-RS (W15B-H81) | 1 | 96W; Vin: 90V~264V AC; Vout: 12VDC; 4-pin DIN with lock |
| Driver CD | | 1 | |
| RJ-45 to DB-9 COM port transfer cable | 32005-000200-200-RS (12A-BT/W15A-BT) | 1 | 300mm, 26AWG, (A) D-SUB 9 male, (B) RJ-45 |
| Touch pen | 43125-0002C0-00-RS | 1 | Resistive touch screen only |

Options

| Item | AFL3-W07A-BT | AFL3-W10A-BT | AFL3-12A-BT | AFL3-W15A-BT | AFL3-W15B-H81 |
|--|------------------------|---|---|---|---|
| Panel Mounting Kit | AFL3PK-W07A-R10 | AFL3PK-W07A-R10 | AFL3PK-W07A-R10 | AFL3PK-W07A-R10 | AFL3PK-W07A-R10 |
| Wall Mounting Kit | AFLWK-12 | AFLWK-12 | AFLWK-19B | AFLWK-19B | AFLWK-19B |
| Rack Mounting Kit | AFL3RK-W07A-R10 | AFL3RK-W10A-R10 | AFL3RK-12A-R10 | AFL3RK-W15A-R10 | AFL3RK-W15B-R10 |
| Arm | ARM-11-RS/ARM-31-RS | ARM-11-RS/ARM-31-RS | ARM-11-RS/ARM-31-RS | ARM-11-RS/ARM-31-RS | ARM-11-RS/ARM-31-RS |
| Stand | STAND-B08/STAND-100-RS | STAND-A12-RS/STAND-C12-R10/STAND-100-RS | STAND-A12-RS/STAND-C12-R10/STAND-100-RS | STAND-A21-R10/ STAND-210-R11/STAND-A19-RS/STAND-C19-R10 | STAND-A21-R10/ STAND-210-R11/STAND-A19-RS/STAND-C19-R10 |
| V-Stand | VSTAND-A07-R11 | VSTAND-A10-R11 | VSTAND-A12-R11 | N/A | N/A |
| 1D/2D Barcode Scanner | AFL3P-W7MSR-U-R10 | AFL3P-W10MSR-U-R10 | AFL3P-12MSR-U-R10 | AFL3P-12MSR-U-R10 | AFL3P-12MSR-U-R10 |
| Barcode Scanner | N/A | AFL3-2D-R10 | AFL3-2D-R10 | AFL3-2D-R10 | AFL3-2D-R10 |
| RFID Reader (13.56 MHz Mifare Type) (For ATO assembly) | AFL3-MF-RFID-KIT01-R10 | AFL3-MF-RFID-KIT02-R10* | AFL3-MF-RFID-KIT02-R10* | AFL3-MF-RFID-KIT02-R10* | AFL3-MF-RFID-KIT02-R10 |
| OS: Win 7 Embedded | AFL3-W07A-BT-WES7P-R10 | AFL3-W07A-BT-WES7P-R10 | AFL3-W07A-BT-WES7P-R10 (for PCAP touch) AFL3-W07A-BT-WES7E-R10 (for Resistive touch) | | AFL3-W15B-H81 WES7P64-R10 (for PCAP touch) AFL3-W15B-H81 WES7E64-R10 (for Resistive touch) |
| OS: Win 8 Embedded | AFL3-W07A-BT-WE8S-R10 | | | | AFL3-W15B-H81-WE8S-R10 |

*RFID support after AFL3-xxA-BT R11 version



Ordering Information

● Intel® Celeron® Platform

| Part No. | Description |
|---------------------------|--|
| AFL3-W07A-BT-N1/PC/2G-R10 | 7" 500 cd/m ² 1024 x 600 HD fanless panel PC with Intel® Celeron® N2807 dual core 1.58 GHz, 802.11a/b/g/n/ac, projected capacitive touch screen, on-board 2GB DDR3L RAM, R10 |
| AFL3-W07A-BT-N1/PC/4G-R10 | 7" 500 cd/m ² 1024 x 600 HD fanless panel PC with Intel® Celeron® N2807 dual core 1.58 GHz, 802.11a/b/g/n/ac, projected capacitive touch screen, on-board 4GB DDR3L RAM, R10 |
| AFL3-W10A-BT-J1/PC/2G-R10 | 10.1" 350cd/m ² 1280 x 800 fanless panel PC with Intel® Celeron® J1900 quad core 2 GHz, 802.11 a/b/g/n/ac, projected capacitive touch screen, 2GB DDR3L RAM, 2-megapixel camera, microphone, R10 |
| AFL3-12A-BT-J1/PC/2G-R10 | 12.1" 500 cd/m ² XGA fanless panel PC with Intel® Celeron® J1900 quad core 2 GHz, 802.11a/b/g/n/ac, projected capacitive touch screen, 2GB DDR3L RAM, 2-megapixel camera, microphone, R10 |
| AFL3-12A-BT-J1/R/2G-R10 | 12.1" 500 cd/m ² XGA fanless panel PC with Intel® Celeron® J1900 quad core 2 GHz, 802.11a/b/g/n/ac, resistive touch screen, 2GB DDR3L RAM, 2-megapixel camera, microphone, R10 |
| AFL3-W15A-BT-J1/PC/2G-R10 | Wide 15.6" 300 cd/m ² 1366 x 768 fanless panel PC with Intel® Celeron® J1900 quad core 2 GHz, 802.11a/b/g/n/ac, projected capacitive touch screen, 2GB DDR3L RAM, 2-megapixel camera, microphone, R10 |
| AFL3-W15A-BT-J1/R/2G-R10 | Wide 15.6" 300 cd/m ² 1366 x 768 fanless panel PC with Intel® Celeron® J1900 quad core 2 GHz, 802.11a/b/g/n/ac, resistive touch window, 2GB DDR3L RAM, 2-megapixel camera, microphone, R10 |

● Intel® H81 Platform

| Part No. | Description |
|----------------------------|---|
| AFL3-W15B-H81-P/R/4G-R10 | Wide 15.6" 300 cd/m ² 1366 x 768 panel PC with Intel® H81 chipset, Intel® Pentium® G3320TE dual-core processor (2.3 GHz), TDP 35W, two 2GB DDR3 RAM, 802.11a/b/g/n/ac, resistive touch screen, 2-megapixel camera, microphone, R10 |
| AFL3-W15A-H81-i3/R/4G-R10 | Wide 15.6" 300 cd/m ² 1366 x 768 panel PC with Intel® H81 chipset, Intel® Core™ i3-4330TE dual-core processor (2.4 GHz), TDP 35W, two 2GB DDR3 RAM, 802.11a/b/g/n/ac, resistive touch screen, 2-megapixel camera, microphone, R10 |
| AFL3-W15A-H81-i5/R/4G-R10 | Wide 15.6" 300 cd/m ² 1366 x 768 panel PC with Intel® H81 chipset, Intel® Core™ i5-4570TE dual-core processor (2.7 GHz), TDP 35W, two 2GB DDR3 RAM, 802.11a/b/g/n/ac, resistive touch screen, 2-megapixel camera, microphone, R10 |
| AFL3-W15B-H81-P/PC/4G-R10 | Wide 15.6" 300 cd/m ² 1366 x 768 panel PC with Intel® H81 chipset, Intel® Pentium® G3320TE dual-core processor (2.3 GHz), TDP 35W, two 2GB DDR3 RAM, 802.11a/b/g/n/ac, PCAP touch screen, 2-megapixel camera, microphone, R10 |
| AFL3-W15B-H81-i3/PC/4G-R10 | Wide 15.6" 300 cd/m ² 1366 x 768 panel PC with Intel® H81 chipset, Intel® Core™ i3-4330TE dual-core processor (2.4 GHz), TDP 35W, two 2GB DDR3 RAM, 802.11a/b/g/n/ac, PCAP touch screen, 2-megapixel camera, microphone, R10 |
| AFL3-W15B-H81-i5/PC/4G-R10 | Wide 15.6" 300 cd/m ² 1366 x 768 panel PC with Intel® H81 chipset, Intel® Core™ i5-4570TE dual-core processor (2.7 GHz), TDP 35W, two 2GB DDR3 RAM, 802.11a/b/g/n/ac, PCAP touch screen, 2-megapixel camera, microphone, R10 |