



Features

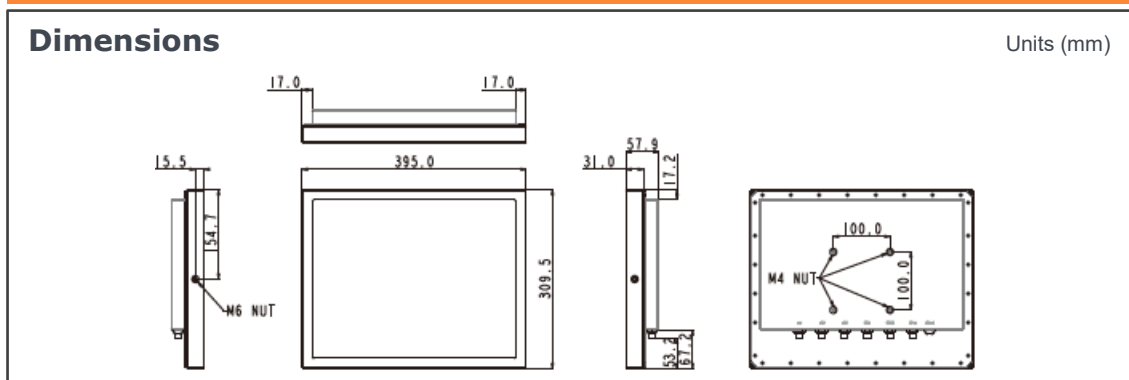
- Intel® 12th Gen Alder Lake-P MCP Processors, 15 W
- IP66/69K Full Sealed with Anti-Corrosion Enclosure
- Support Intel® vPro Technology by CPU
- IP67 M12 Stainless/Metal Connectors
- Optional Cable Gland for External I.O.
- 100% Waterproof Guarantee
- CE, FCC, VCCI Class B Certified

Specification

Model		WTP-9H66-15	
Main System	CPU / Graphic	Intel® 12th Gen Alder Lake-P MCP Processors, 15 W / Intel® Gen 12 Graphics	
	Memory	Dual Channel DDR4 3200 MHz ,2 x 260 SO-DIMM, up to 64GB	
	TPM	TPM2.0	
	OS Support	Optional Windows 10 (64 bit) / Windows 11 (64 bit)	
Display	Size / Resolution	15" 4:3 / 1024 x 768 (XGA)	
	Number of Colors	16.2M colors	
	View Angle (H/V)	160(H) / 150(V)	
	Brightness (nit)	350 nits	
	Contrast Ratio	800 : 1 (Typ)	
Touch Panel	Type	Full flat resistive touch	Full flat P-Cap touch
	Light Transmission	80 ± 5%	≥86%
	Hardness / Lifetime	≥3H / 35M times	≥7H / 100M times
	Touch Mode	Normal mode	Normal / Glove / Water mode
Storage & Expansion	Storage	1 x 2.5" SATA HDD drive bay (with anti-vibration mechanism) 1 x M.2 (Key M, 2242/2260/2280) with PCIe4 (Gen4) for SSD	
	Expansion	1 x M.2 (Key B, 3042/3052) with PCIe1, USB3.2, USB2.0 and SIM for 4G/5G 1 x SIM socket connected to M.2 key B 1 x M.2 (Key E, 2230) with PCIe, USB2.0 and CNVi for Wireless	
I/O Ports	Configuration	STD. (M12 Connector)	Cable Gland (Max. 5 external I/O by proper grommet)
	USB	1 x M12 8pin for USB 2.0 1/2 1 x M12 8pin for USB 2.0 3/4 1 x USB 3.2 Gen2 (Type-C, Support DP1.4a display output, Power output 5V/3A)	2 x USB 2.0, 2 x USB 3.2 Gen2, 2 x USB 3.2 Gen2 (Type-C, Support DP1.4a display output, Power output 5V/3A)
	COM	2 x M12 8pin for COM 1 & COM2 / RS-232/422/485	2 x RS232/RS422/RS485
	LAN	1 x M12 8pin for LAN 1	2 x RJ-45 (2.5Gigabit Ethernet)
	Audio	N.A.	2 x 3.5mm phone jack connector (Line-out, and Mic-in)
	Video	N.A.	2 x HDMI 2.0b, 2 x Type-C (Support DP1.4a display output, Power output 5V/3A)
	DC in	1 x DC-In connector, DC 12~28V	
	Control Keys	Rear bottom: Power on /off, Side: Brightness Up / Down	
Power	Power adapter	AC 100 ~ 277V / 47 ~ 63 Hz / DC output 24V, 5A, 120W, IP68	
	Power consumption	TBD W	
Environmental	Temperature	Operating Temperature 24V DC Input 0~40°C (IEC60068-2-56, air flow cooling, HDD) 24V DC Input 0~50°C (IEC60068-2-56, air flow cooling, SSD) Storage Temperature -20~60°C	
	Humidity	Operating & Storage: 10 ~ 90%, non-condensing	
	Water/Dust	IP66 / NEMA4X / IP69K	
Mechanical Characteristics	Housing	SUS304 stainless steel enclosure, chassis type	
	Dimensions (Net:	395 x 309.5 x 58	
	Weights (Net: kg)	8.4 kg	
	Mounting	VESA 100*100, side mount (M6*2)	
Certification	CE (EMC) / FCC-B / VCCI Class B, Canada ICES-003		

WTP-9H66-15

Stainless Steel Panel PC



Major Options	
Options	<ol style="list-style-type: none"> 1. Full flat PCT touch screen IP69K 2. IP67 (STD M12 type) 3. 2.5" SSD 4. M.2 SSD (128G) 5. Wireless or Wireless and BT kit (easy clean and Robust Antenna) 6. 2 External LAN (USBx2, LANx2, COMx1) 7. Cable Gland External IO 8. SUS316 Enclosure 9. M12 (female) to M12 (male) DC power extension cable (2 meters length) 10. M12 (female) to stripped and tinned wires DC extension cable (1.2 meters length) 11. Barcode Reader (can't coexist with RFID) 12. RFID (can't coexist with Barcode reader) 13. Supports floor stand solution 14. 3W speaker (IP66) 15. Waterproof type C cable, cable length is 1 meter 16. Wall mount 17. Table mount bracket (For Type C / RFID)
Accessory	<ol style="list-style-type: none"> 1. Waterproof USB cable, cable length is 2 meters 2. Waterproof LAN cable, cable length is 2 meters 3. Waterproof COM cable, cable length is 2 meters 4. DC input cable
Customization	<ol style="list-style-type: none"> 1. Sunlight readable optical bonding 2. Roof for UV protection and sunlight readable 3. 1000 nit high brightness LCD 4. COM + Power 5V or 12V 5. 2nd HDD for RAID 0,1 6. Intel i3-1215UE, DC, 3.3GHz 7. Intel i7-1265UE, DC, 3.5GHz 8. WDT AP/API 9. Stainless M12 connector

Order Information

Item	Cooling	Description
WTP-9H66-15 (i5)	Fanless	15" Core i5-1245UE 3.3 GHz / 4G RAM / 500G HDD / Full Flat R-touch
WTP-9H66-15 (i5)	Fanless	15" Core i5-1245UE 3.3 GHz / 4G RAM / 500G HDD / Full Flat P-cap touch

I/O ports



- 1 Giga LAN
- 2 USB 1/2
- 3 USB 3/4
- 4 COM x 2
- 5 DC-in
- 6 Power on/off

