

AFL2-15A-H61

Intel® Core™ i7/i5/i3 and Pentium® processor

AFL2-W15B-H61

Intel® Core™ i7/i5/i3 and Pentium® processor



AFL2-15A-H61

**Features**

- Flat-bezel LCD with LED backlight
- Intel® Core™ i5/ i3 and Pentium® processor
- Two 204-pin DDR3 SO-DIMM slot (system max. 16GB) preinstalled with 4GB (2GB x 2)
- Projected capacitive touchscreen and 5-wire resistive type touchscreen supported
- Wi-Fi 802.11b/g/n 2T2R high speed wireless
- EM or Mifare RFID reader
- Built-in 2M pixels webcam with AF, AE and AWB capabilities
- Built-in two 2W speakers and microphone
- IP 64 compliant front panel
- Auto dimming control
- Light fanless technology design
- Type K thermocouple temperature sensor
- Wide range 9~36 VDC input



**Specifications**

	Model	AFL2-15A-H61	AFL2-W15B-H61	
LCD Specifications	Size	15" (4:3)	W15.6" (16:9)	
	Resolution	1024 (W) x 768 (H)	1366 (W) x 768 (H)	
	Brightness (cd/m <sup>2</sup> )	400	300	
	Contrast Ratio	700:1	500:1	
	LCD Color	262K/16.2M	16.7M	
	Pixel Pitch (mm)	0.297 (H) x 0.297 (V)	0.252 (H) x 0.252 (V)	
	Viewing Angle (H-V)	160° / 140°	170° / 160°	
	Backlight MTBF	50,000 hrs (LED backlight)	50,000 hrs (LED backlight)	
Touch	Touch Screen	5-wire resistive type with RS-232 interface / projected capacitive type with USB interface		
	Touch Controller	PenMount DMC9000 / EETI EXC7200 & EXC5404		
System	CPU	2nd/3rd Generation Intel® Core™ i7/i5/i3 and Pentium® processors		
	Chipset	Intel® H61		
	RAM	Support two 204-pin DDR3 SO-DIMM slot (max. 16GB) preinstalled with 4GB (2GB x 2)		
	Ethernet	Realtek RTL8111E PCIe GbE controller supporting ASF 2.0		
	Audio Codec	Realtek ALC892 HD Audio codec		
	Storage	CF Type II socket 2.5" SATA 3Gb/s HDD bay		
	Input / Output		2 x RS-232 (DB-9 connector)	1 x VGA port
			1 x GbE LAN (RJ-45 connector) on left side	1 x HDMI port
			1 x RS-422/485 (RJ-45 connector)	1 x Power switch
			3 x USB 2.0 (two on the bottom, one on the left)	1 x AT/ATX switch
	2 x USB 3.0	1 x Reset button		
	1 x Mini USB port on front panel	1 x Clear CMOS button		
	1 x MicroSD card slot on front panel	1 x 9 ~ 36V DC jack		
	1 x Line out, MIC on left side	1 x Type K connector		
Other Features	Audio	AMP 2W + 2W (internal speaker)		
	Camera	2M pixels with low light function		
	RFID Reader	EM 125 KHz or Mifare 13.56 MHz card reader (optional)		
	MSR Card Reader	MSR card reader (optional)		
	TPM	Reserved by pin-header		
	OSD Function	LCD on/off, brightness up/down, volume up/down, Hot Key		
	Ambient Light Sensor	Yes		
Infrared Remote Controller	Yes			
Connectivity	System Cooling	Light fanless (smart fan operates above default temperature setting)		
	Wireless	IEEE 802.11b/g/n 2T2R module (WIFI-RT5392-SB-R10) Telec certified		
	Bluetooth	Bluetooth V2.0+EDR with USB interface (optional)		
Physical	Construction Front Panel	PC + ABS Plastic		
	Mounting	Wall, Stand, Arm VESA 100mm x 100mm	Panel, Wall, Rack, Stand, Arm VESA 100mm x 100mm	
	Color	Black		
	Dimensions (WxHxD) (mm)	363.2 x 305.1 x 58.8	399.4 x 271.2 x 58.8	
	Weight (N/G)	5.2 kg / 7.3 kg	4.5 kg / 6.5 Kg	
Environment	Operating Temperature (°C) (Ambient with air flow)	-20°C ~ 50°C		
	Storage Temperature (°C)	-20°C ~ 60°C		
	Humidity	10% to 95% (non-condensing)		
	IP Level	IP 64 compliant front panel		
	Safety&EMC	CE / FCC		
Power	Power Supply	90W power adapter Input:100 V AC ~ 240 V AC, 50 / 60Hz, Output: 19 V DC		
	Power Requirement	9 ~ 36 VDC		
	Power Consumption	19V@3.42A (Intel® Core™ i3-2100T CPU with 4GB 1333 Mhz DDR3 memory)	19V@3.95A (Intel® Core™ i3-2120 CPU with 4GB 1333 Mhz DDR3 memory)	

1

IEIMobile Solutions

2

Automation Panel Solutions

3

PACSmate Medical Solutions

4

Optional Peripherals

## Options

Item	AFL2-15A-H61	AFL2-W15B-H61
Panel Mounting Kit	N/A	AFL2PK-W15B
Wall Mounting Kit	AFLWK-19B	
Rack Mounting Kit	N/A	AFL2RK-W15B
Arm	ARM-11-RS/ARM-31-RS	
Stand	STAND-A21-R10/ STAND-C19-R10/ STAND-210-R11	
Magnetic Stripe Reader	AFL2P-15AMSR-U-R10	AFL2P-W15BMSR-U-R10
Bluetooth Module Kit	AFL2-BT-KIT01-R11	
Trusted Platform Module (TPM)	TPM-IN01-R11	
EM RFID Reader	AFL2-EM-RFID-KIT01-R10	
Mifare RFID Reader	AFL2-MF-RFID-KIT01-R11	
OS: Win XPE (2GB CF Card)	AFL2CF-15A-H61-XPE-2G-R10	
OS: Win XPE (4GB CF Card)	AFL2CF-15A-H61-XPE-4G-R10	
OS: Win 7 Embedded (4GB CF Card)	AFL2CF-15A-H61-WES7P-4G-R10 (for Projected Capacitive Touch) AFL2CF-15A-H61-WES7E-4G-R10 (for Resistive Touch)	

## Packing List

Item	P/N	Q'ty	Description
Utility CD	7B000-000957-RS	1	drivers and user manual
One Key Recovery CD	7B000-000781-RS	1	
Power Adapter	63040-010090-020-RS	1	FSP090-D2BA1; 90~264VAC input; 90W; 19VDC output
Power Cord	32702-000401-100-RS	1	European, 1500mm
Power Transfer Cord	32702-000300-100-RS	1	
RJ-45 to DB-9 COM Port Cable	32005-000200-200-RS	1	
IR Remote Controller	7Z000-SLPCB005-RS	1	
M3 Screw Pack	44013-030041-RS	4	M3 x 4 for securing HDD
M4 Screw Pack	44033-040061-RS	4	M4 x 4 for VESA screw
Temperature Sensor Cable	32133-004300-100-RS	1	
Pen	43125-0002C0-00-RS	1	For Resistive Touch

## Ordering Information

### AFL2-15A-H61

Part No.	Description
<b>Core i5</b>	AFL2-15A-H61-i5/R-R12 15" 400cd/m <sup>2</sup> XGA panel PC, Core i5 Dual Core 2xxxT CPU (Above 2.7GHz), TDP 35W, 4GB DDR3 (2GB x 2), 802.11b/g/n wireless module, resistive touch screen, 2M camera, microphone, R12
	AFL2-15A-H61-i5/PC-R12 15" 400cd/m <sup>2</sup> XGA panel PC, Core i5 Dual Core 2xxxT CPU (Above 2.7GHz), TDP 35W, 4GB DDR3 (2GB x 2), 802.11b/g/n wireless module, projected capacitive touchscreen, 2M camera, microphone, R12
<b>Core i3</b>	AFL2-15A-H61-i3/R-R12 15" 400cd/m <sup>2</sup> XGA panel PC, Core i3 Dual Core 2xxxT CPU (Above 2.5GHz), TDP 35W, 4GB DDR3 (2GB x 2), 802.11b/g/n wireless module, resistive touch screen, 2M camera, microphone, R12
	AFL2-15A-H61-i3/PC-R12 15" 400cd/m <sup>2</sup> XGA panel PC, Core i3 Dual Core 2xxxT CPU (Above 2.5GHz), TDP 35W, 4GB DDR3 (2GB x 2) 802.11b/g/n wireless module, projected capacitive touchscreen, 2M camera, microphone, R12
<b>Pentium</b>	AFL2-15A-H61-P/R-R12 15" 400cd/m <sup>2</sup> XGA panel PC, Pentium Dual Core G6xxT CPU (Above 2.2GHz), TDP 35W, 4GB DDR3 (2GB x 2), 802.11b/g/n wireless module, resistive touch screen, 2M camera, microphone, R12
	AFL2-15A-H61-P/PC-R12 15" 400cd/m <sup>2</sup> XGA panel PC, Pentium Dual Core G6xxT CPU (Above 2.2GHz), TDP 35W, 4GB DDR3 (2GB x 2), 802.11b/g/n wireless module, projected capacitive touchscreen, 2M camera, microphone, R12

### AFL2-W15B-H61

Part No.	Description
<b>Core i5</b>	AFL2-W15B-H61-i5/R-R12 15.6" 300cd/m <sup>2</sup> HD panel PC, Core i5 Dual Core 2xxxT CPU (Above 2.7GHz), TDP 35W, 4GB DDR3 (2GB x 2), 802.11b/g/n wireless module, resistive touch screen, 2M camera, microphone, R12
	AFL2-W15B-H61-i5/PC-R12 15.6" 300cd/m <sup>2</sup> HD panel PC, Core i5 Dual Core 2xxxT CPU (Above 2.7GHz), TDP 35W, 4GB DDR3 (2GB x 2), 802.11b/g/n wireless module, projected capacitive touchscreen, 2M camera, microphone, R12
<b>Core i3</b>	AFL2-W15B-H61-i3/R-R12 15.6" 300cd/m <sup>2</sup> HD panel PC, Core i3 Dual Core 2xxxT CPU (Above 2.5GHz), TDP 35W, 4GB DDR3 (2GB x 2), 802.11b/g/n wireless module, resistive touch screen, 2M camera, microphone, R12
	AFL2-W15B-H61-i3/PC-R12 15.6" 300cd/m <sup>2</sup> HD panel PC, Core i3 Dual Core 2xxxT CPU (Above 2.5GHz), TDP 35W, 4GB DDR3 (2GB x 2), 802.11b/g/n wireless module, projected capacitive touchscreen, 2M camera, microphone, R12
<b>Pentium</b>	AFL2-W15B-H61-P/R-R12 15.6" 300cd/m <sup>2</sup> HD panel PC, Pentium Dual Core G6xxT CPU (Above 2.2GHz), TDP 35W, 4GB DDR3 (2GB x 2), 802.11b/g/n wireless module, resistive touch screen, 2M camera, microphone, R12
	AFL2-W15B-H61-P/PC-R12 15.6" 300cd/m <sup>2</sup> HD panel PC, Pentium Dual Core G6xxT CPU (Above 2.2GHz), TDP 35W, 4GB DDR3 (2GB x 2), 802.11b/g/n wireless module, projected capacitive touchscreen, 2M camera, microphone, R12

1  
IEI Mobile Solutions

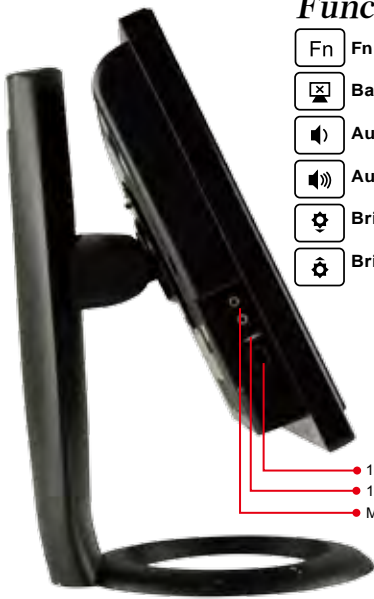
2  
Automation Panel Solutions

3  
PACSmate Medical Solutions

4  
Optional Peripherals

### Function Keys

- Fn
- Backlight On/Off
- Audio -
- Audio +
- Brightness -
- Brightness +
- Fn + RFID enable / disable
- Fn + Audio mute
- Fn + Camera enable / disable
- Fn + Front side Mini USB & MicroSD enable / disable
- Fn + Power on / off



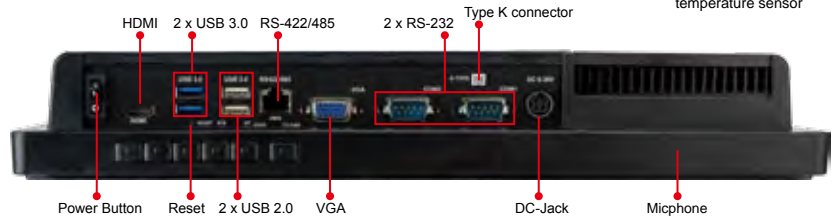
- 1 x GbE LAN
- 1 x USB 2.0
- Mic, Line-out



AFL2-W15B-H61

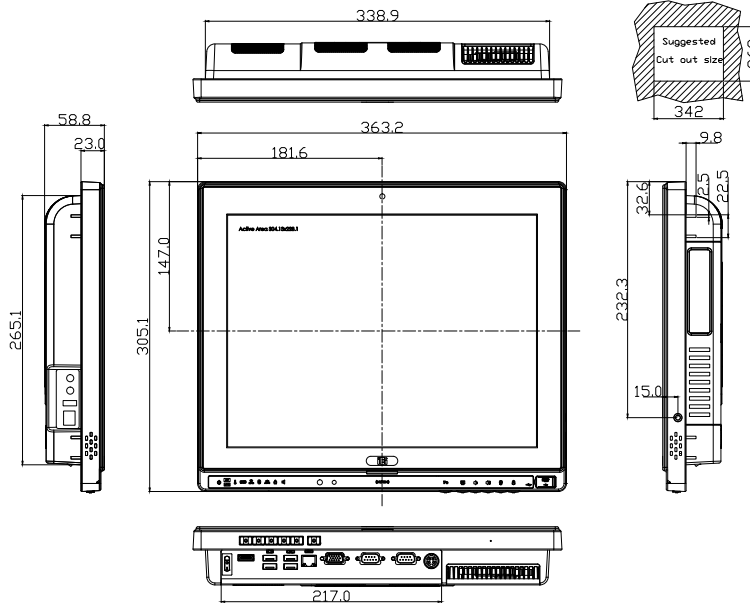
- 1 x Mini USB port
- 1 x MicroSD card slot

Type K thermocouple temperature sensor

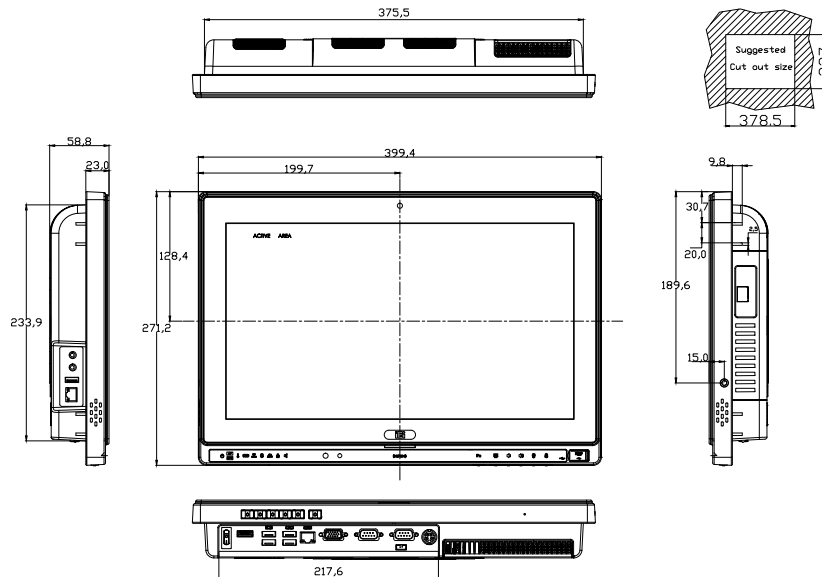


- HDMI
- 2 x USB 3.0
- RS-422/485
- 2 x RS-232
- Type K connector
- Power Button
- Reset
- 2 x USB 2.0
- VGA
- DC-Jack
- Micphone

### AFL2-15A-H61 Dimensions (Unit: mm)



### AFL2-W15B-H61 Dimensions (Unit: mm)



1

IEIMobile Solutions

2

Automation Panel Solutions

3

PACSmart Medical Solutions

4

Optional Peripherals