

Issued date: 2014/2/4

Technical Notice

Affected Models:

AFL2-MF-RFID-KIT01-R11

Dear Partners,

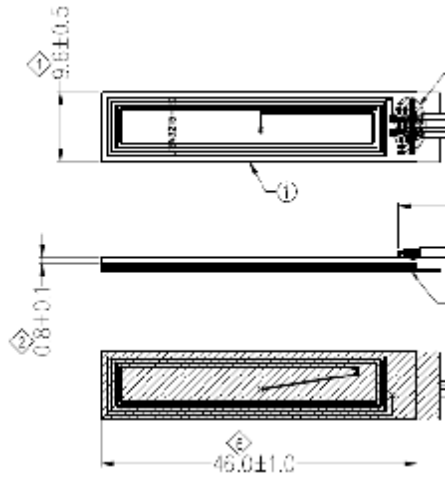
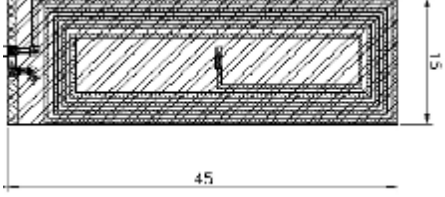
This technical notice aims to inform you to improve reading performance for Mifare RFID function, IEI redesign the antenna and replaces AFL2-MF-RFID-KIT01-R11 by AFL2-MF-RFID-KIT02-R11, AFL2-MF-RFID-KIT02-R11, and AFL2-MF-RFID-KIT03-R11. All the AFL2-MF-RFID-KITxx-R11 Mifare RFID kit has to be ordered by ATO assembly.

We apologize for the inconvenience about the issue, and please do not hesitate to contact us while you have any further comments.

Phase-out Model	Replacement Model	Description
AFL2-MF-RFID-KIT01-R11	AFL2-MF-RFID-KIT01-R11	Mifare RFID reader, 13.56M Hz, w/o LED indicator, for AFL2-W07A/08A Series , IEI Assembly Only, R11
	AFL2-MF-RFID-KIT02-R11	Mifare RFID reader, 13.56M Hz, w/o LED indicator, for AFL2-W10A/10A/12A/15A/W15B/17A/W19A Series , IEI Assembly Only, R11
	AFL2-MF-RFID-KIT03-R11	Mifare RFID reader, 13.56M Hz, w/o LED indicator, for AFL2-W21A Series , IEI Assembly Only, R11

Remark:

Difference between AFL2-MF-RFID-KITxx-R10 and AFL2-MF-RFID-KITxx-R11

	AFL2-MF-RFID-KITxx-R10	AFL2-MF-RFID-KITxx-R11
Reader IC	NXP PN532	TI TRF7960
Antenna Size	46mmx9.6mm 	45mmx15mm 

Yours Faithfully,

Marlene Lo
 Product Manager
 IEI Technology corp.